

**IMPORTANT NOTE**

**THIS INSTRUCTION SHEET SHOULD BE UTILISED FOR CHANGING EITHER VERMICULITE OR ENAMEL LINERS IN THE STOVE.**

**Part No. 1188-1028594**

**Issue 1**

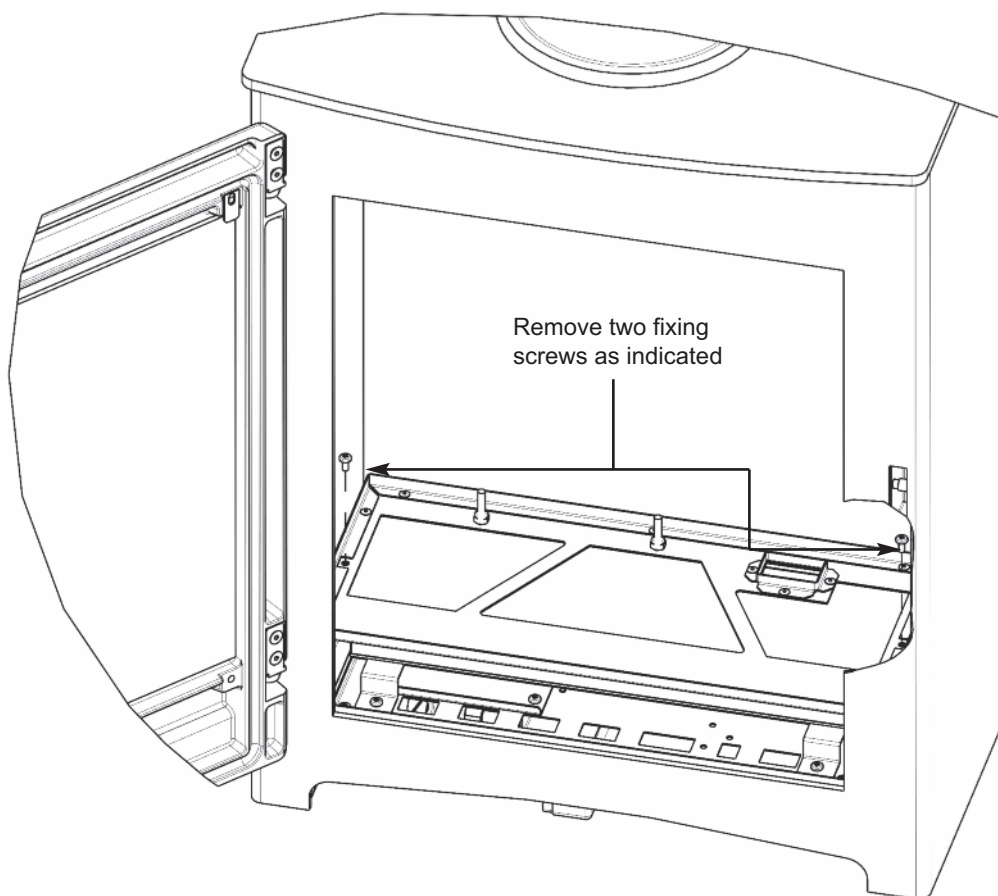
**13-01-2021**

**Portway Luxima Replacement Vermiculite Liner / Enamel Liner Installation Instructions**

The Portway Luxima is available with an option of changing the internal liners from enamel to vermiculite and vice versa. To commence this process fully unpack the product and follow the process detailed below / overpage.

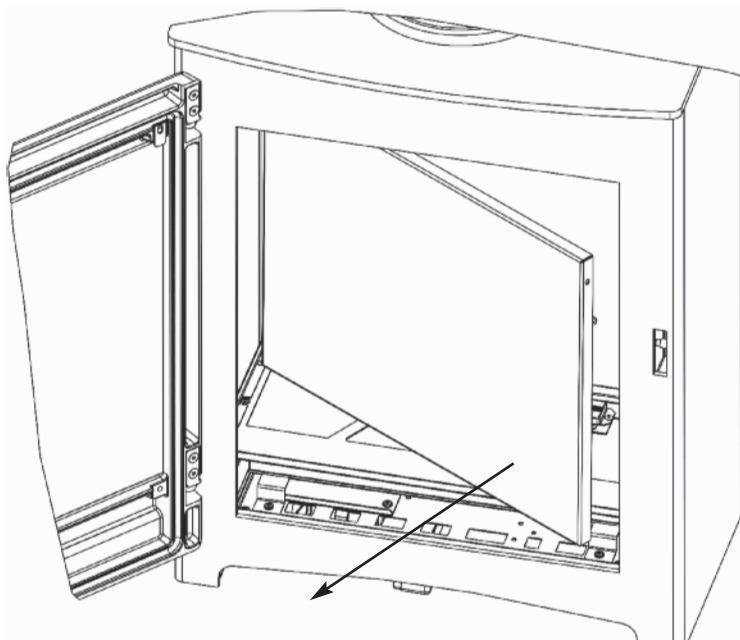
- 1.) Remove the 2 off ceramic fuel-tray support screws as shown below in figure 1

**Fig. 1**



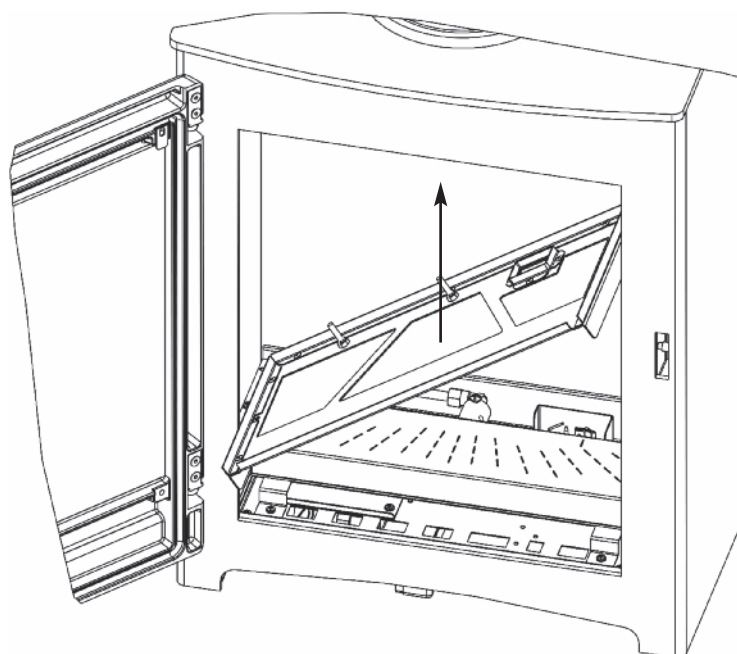
2.) Remove the rear liner from the stove as shown below in figure 2.

**Fig. 2**



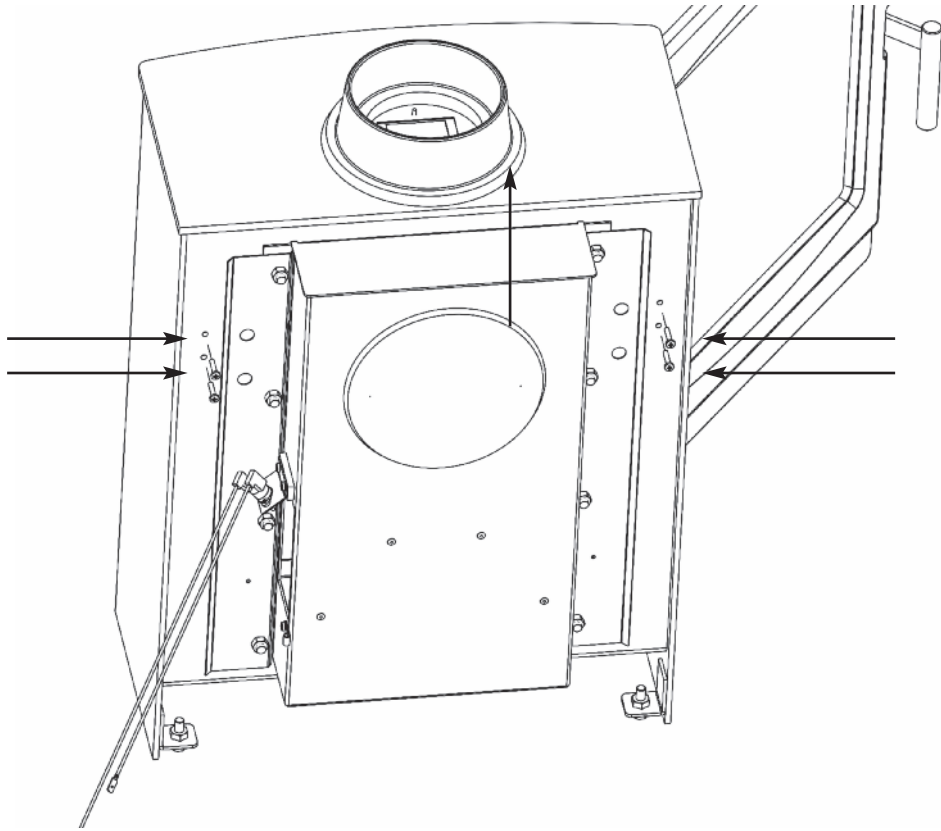
3.) Remove the ceramic fuel tray from the stove as shown below in figure 3.

**Fig. 3**



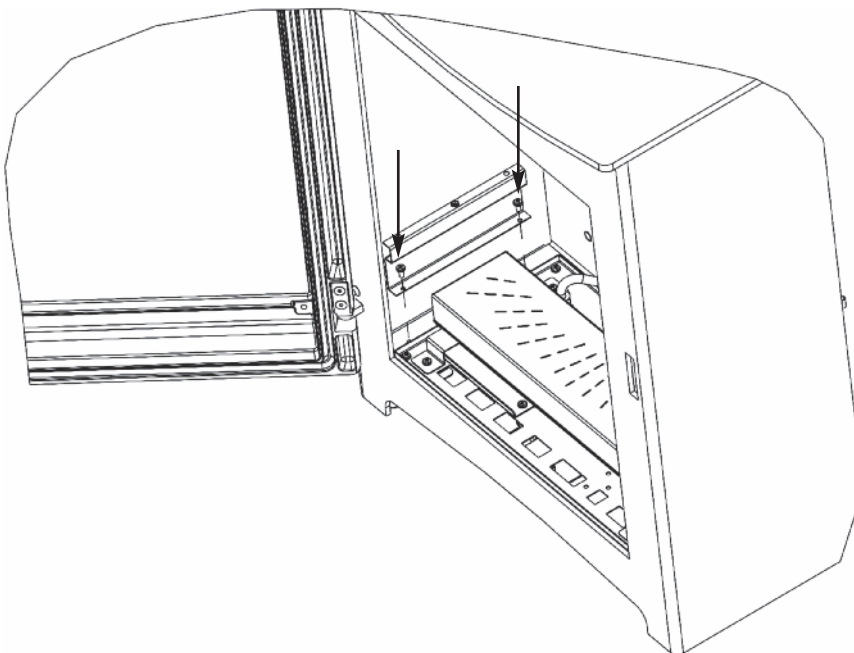
- 4.) Remove the 4 off throat plate fixing screws from the rear of the stove as indicated below in figure 4. There is no need to remove the throat plate, this will just allow a degree of movement for the side liners to be removed more easily.

**Fig. 4**



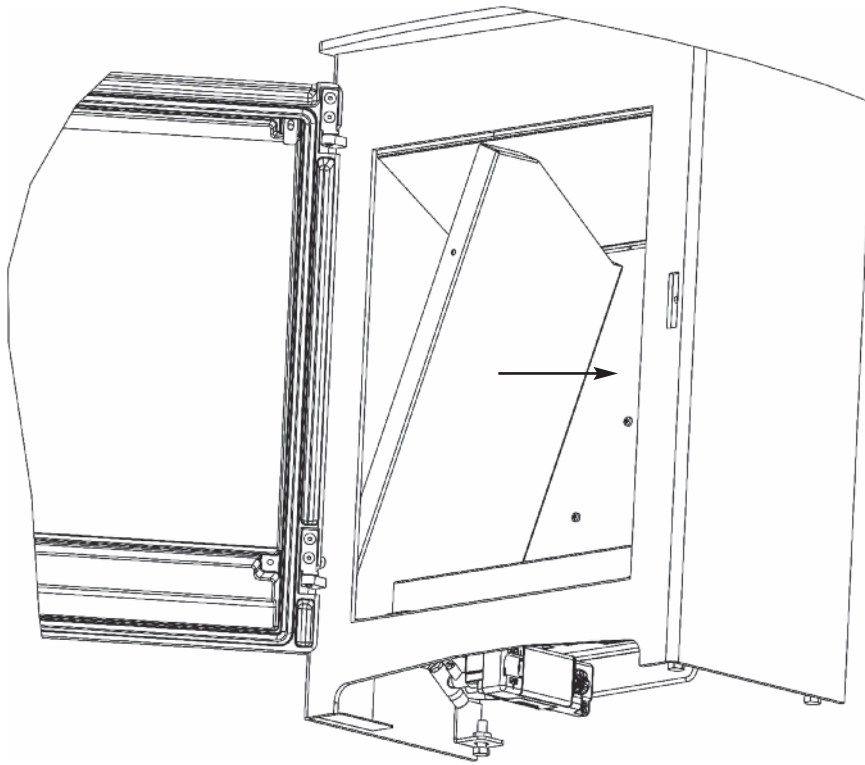
- 5.) Remove the ceramic fuel tray support brackets (L/H & R/H) from the stove, secured with 2 off screws per side as shown below in figure 5

**Fig. 5**



6.) The side liners (L/H & R/H) can now be removed as displayed below in figure 6.

**Fig. 6**



7.) Replace the new liners in reverse order and ensure that the throat plate fixing screws are re-fitted as shown below in figure 7. Ensure also that the rear liner is flush to the rear of the stove.

