

# The Collection

by MICHAEL MILLER

## Da Vinci & Boticelli "L"

**BALANCED FLUE LOG EFFECT GAS FIRE**

**Installation, Maintenance & User Instructions**

**Hand these instructions to the user**

**Model No's DSBL\*\*RN is only for use on Natural Gas (G20) at a supply pressure of 20 mbar in G.B. / I.E.**

**\*\* denotes cosmetic variant**

## **Information Requirements for Commission Regulation (EU) 2015/1188**

<b>Model Identifier</b>	<b>DSBL**RN</b>
<b>Indirect Heating Functionality</b>	<b>No</b>
<b>Direct Heat Output</b>	<b>4.3kW</b>
<b>Indirect Heat Output</b>	<b>Not Applicable</b>
<b>Fuel</b>	<b>NG (G20)</b>
<b>NOx Emissions</b>	<b>130mg/kWh</b>
<b>Nominal Heat Output</b>	<b>4.3kW</b>
<b>Minimum Heat Output (Indicative)</b>	<b>1.3kW</b>
<b>Useful Efficiency at Nominal Heat Output</b>	<b>87.2%</b>
<b>Useful Efficiency at Minimum Heat Output (Indicative)</b>	<b>50.0%</b>
<b>Auxilliary electrical power consumption at nominal heat output</b>	<b>0.0005008kW</b>
<b>Auxilliary electrical power consumption at heat output</b>	<b>0.0005008kW</b>
<b>Auxilliary electrical power consumption at standby mode</b>	<b>0.0005008kW</b>
<b>Permanent pilot flame requirement</b>	<b>0.213kW</b>
<b>Type of heat output / room temperature</b>	<b>With electronic room temperature control plus day timer.</b>
<b>Contact Details</b>	<b>BFM Europe Ltd. Gordon Banks Drive Trentham Lakes North Stoke-on-Trent ST4 4TJ Tel : 01782 339000</b>

# CONTENTS

		PAGE
<b>Section 1</b>	<b>Information and Requirements</b>	
1.0	Appliance Information	3
1.1	Conditions of Installation	4
1.2	Fireplace surround & suitability	4
1.3	Flue Terminal Position	5
1.4	Shelf position	6
1.5	Hearths	6
<b>Section 2</b>	<b>Installation of Fire</b>	
2.1	Unpacking the fire	6
2.2	Fireplace opening	7-8
2.3	Preparation of the wall	8-9
2.4	Preparation of the flue hole	9
2.5	Installation of the gas supply	10
2.6	Preparation of the flue duct	11
2.7	Securing the firebox to the opening	12-13
2.8 / 2.9	Installing the "Da Vinci" / "Boticelli L" surround	14-16
2.10	Making the gas connection / pressure testing	17
2.11	Making the electrical connection	17
2.12	Fitting the terminal guard	17
2.13	Installation of lamp assemblies	18-20
2.14	Removal & refitting of the glass frame	21-23
2.15	Removal & refitting of the burner assembly	24-25
<b>Section 3</b>	<b>Assembling Fuel Bed and Commissioning</b>	
3.1	Fitting the log fuel bed	26-30
3.2	Lighting the appliance	31-36
3.3	Fitting the handset wall bracket	36
3.4	Instructing the user / product handover	36
<b>Section 4</b>	<b>Maintenance</b>	
4.1	Removal of the burner assembly	37
4.2	Removal of the gas valve	37
4.3	Removal of the pilot assembly	38
4.4	Replacement of handset batteries	38
4.5	Removal of the control board / receiver unit	38
4.6	Wiring diagram	39
4.7	Parts shortlist	40
<b>Section 5</b>	<b>User Instructions</b>	
5.1	Conditions of Installation	41
5.2	About your new fire	42
5.3	Operating the fire	43-48
5.4	Removal / re-fitting the glass frame assembly	49-51
5.5	Removal / replacement of the fuel-bed	52-56
5.6	Cleaning the fire	56-57
5.7	User replaceable parts	57

This appliance is manufactured by :-

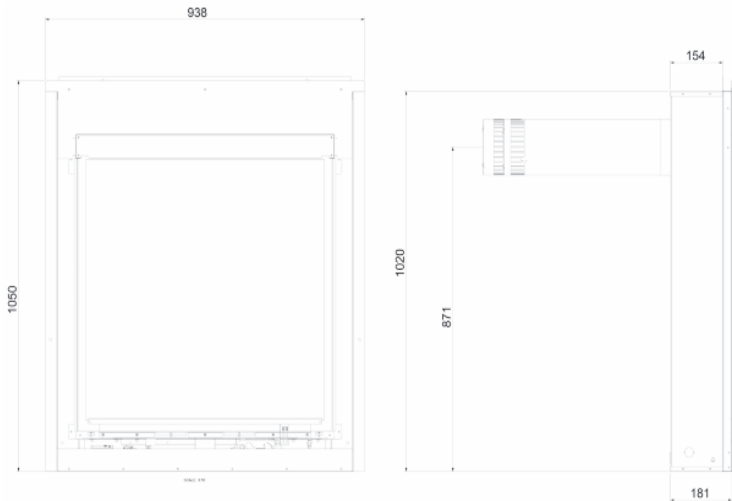
BFM Europe Ltd, Trentham Lakes,  
Stoke-on-Trent, ST4 4TJ.

# SECTION 1 INFORMATION AND REQUIREMENTS

## 1.0 APPLIANCE INFORMATION

Model	DSBL**RN
	** denotes cosmetic variant of product
Gas Type	G20
Main injector (1 off)	Size 1.70mm
Pilot Type	Black Technigas "Polidoro" G27.2
Max. Gross Heat Input :	5.5 kW
Min. Gross Heat Input :	2.5 kW
Gas Rate :	0.511 m <sup>3</sup> /hr
Cold Pressure :	20.0 +/-1.0 mbar
Electrode Spark Gap	4.0mm
Packed Weight	80.5kg
Gas Connection :	8mm Compression (supplied with fire)
Supply Voltage :	230V a.c.
Supply Frequency :	50Hz
Supply Fuse :	3 Amp to BS 1362
Electrical Supply Required	230v AC
IP Rating	IPX0

**Fig. 1**



## INSTALLATION REQUIREMENTS

### Efficiency Declaration

The efficiency of this appliance has been measured as specified in BS EN 613 : 2001 and the result after conversion to Gross using the appropriate factor from Table 4 of SAP 2009 is 78%. The test data from which it has been calculated has been certified by BSI. The efficiency value may be used in the UK Government's Standard Assessment Procedure (SAP) for energy rating of dwellings.

### 1.1 CONDITIONS OF INSTALLATION

It is the law that all gas appliances are installed only by a GAS SAFE Registered Installer, in accordance with these installation instructions and the Gas Safety (Installation and Use) Regulations 1998 as amended. Failure to install appliances correctly could lead to prosecution. It is in your own interest and that of safety to comply with the law.

The installation must also be in accordance with all relevant parts of the Local and National Building Regulations where appropriate, the Building Regulations (Scotland Consolidation) issued by the Scottish Development Department, and all applicable requirements of the following British Standard Code of Practice.

1. B.S. 5871 Part 1 Installation of Gas Fires
2. B.S. 6891 Installation of Gas Pipework
3. B.S. 5440 Parts 1 & 2 Installation of Flues and Ventilation
4. I.S 813 : 1996 Domestic Gas Installation, issued by the National Standards Authority of Ireland.

### 1.2 FIREPLACE / SURROUND SUITABILITY

The fire must only be installed with the hearth supplied it **must not be installed directly onto carpet or other combustible floor materials.**

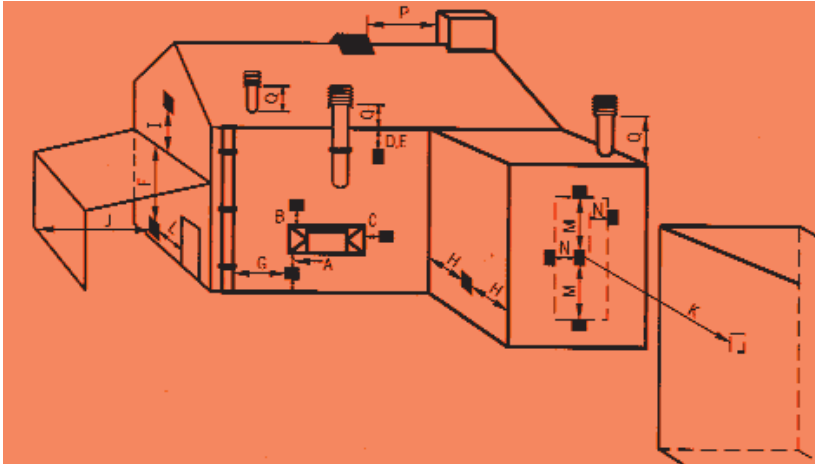
If a heating appliance is fitted directly against a wall combustible material must be removed from behind it. Soft wall coverings such as blown vinyl, wall paper etc. could be affected by the rising hot air and scorching and/or discoloration may result. Due consideration should be made to this when installing or decorating.

**This product can only be installed with surround designs available from the MM Collection or designs which meet the criteria as required by BFM Europe. For further details of specification requirements please contact BFM Europe Technical Service.**

### 1.3 FLUE TERMINAL POSITION

The minimum acceptable dimensions from the flue terminal to obstructions and ventilation openings are shown below and listed in the table. It is important that the position of the flue allows the free passage of air across it at all times. The minimum acceptable space from the flue terminal to obstructions and ventilation openings are specified below (figure 2).

Fig. 2



DIMENSION	TERMINAL POSITION	MINIMUM DIMENSION
A	Directly below an opening, air brick, opening window	300mm (12in)
B	Above an opening, air brick, opening window	300mm (12in)
C	Horizontally to an opening, air brick, opening window etc.	300mm (12in)
D	Below gutters, soil pipes or drain pipes	300mm (12in)
E	Below eaves	300mm (12in)
F	Below balconies or car port roof	600mm (24in)
G	From a vertical drain pipe or soil pipe	300mm (12in)
H	From an internal or external corner	600mm (24in)
I	Above ground roof or balcony level	300mm (12in)
J	From a surface facing the terminal	600mm (24in)
K	From a terminal facing the terminal	600mm (24in)
L	From an opening in the car port	1200mm (48in)
M	Vertically from a terminal on the same wall	1500mm(59in)
N	Horizontally from a terminal on the same Wall	300mm (12in)
O	NOT APPLICABLE	N/A
P	NOT APPLICABLE	N/A
Q	NOT APPLICABLE	N/A

## 1.4 SHELF POSITION

This fire must not be fitted below combustible shelf materials.

## 1.5 HEARTHES

This appliance must only be installed with the MM Collection supplied hearth panel or an alternative item as dimensionally approved by BFM Europe.

# SECTION 2 INSTALLATION OF FIRE

## 2.1 UNPACKING THE FIRE

Carefully lift the fire out of the carton. Remove the loose item packaging carefully from the front of the appliance. Check the contents as listed :-

### Packing Check List - All Models

1 off	Combustion chamber & glass frame assembly	
1 off	Boxed ceramic fuel-bed set (packed inside combustion chamber)	
1 off	Wall plate	
1 off	Flue terminal / pipe unit	
1 off	Flue terminal guard (packed inside combustion chamber)	
1 off	Downlight kit (packed inside combustion chamber)	
1 off	Installation / user book (combined)	
1 off	Guarantee card	
1 off	Front grill (painted)	
1 off	Loose items pack – containing :-	1 off standard fixing kit
		3 off 1.5V AAA batteries
		1 off thermostatic remote handset
		wall bracket and fixings
		4 off 8mm rawlpugs & fixing screws
		1 off length of foil tape 500mm
		4 off 8mm nylon plugs
		4 off 30mm wood screws
		2 off surround securing brackets
		1 off glass removal tool

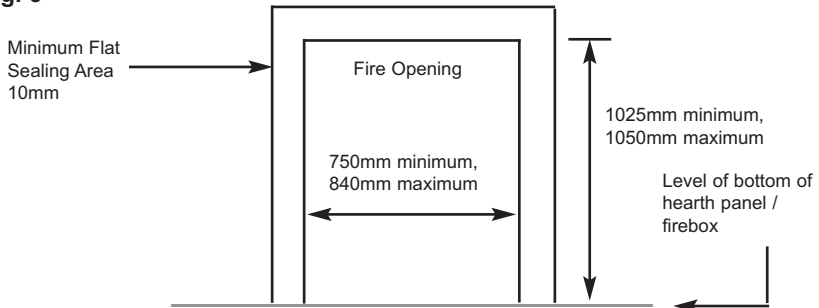
### **Pack 2 of 2 - Da Vinci or Boticelli Limestone Surround**

1 off	Hearth	1 off L/H leg
1 off	Shelf	1 off R/H leg
1 off	Top infill	1 off Shelf infill section
1 off	Firebox / burner assembly	2 off Side infill sections
1 off	Bottom infill section	2 off shelf brackets
2 off	Shelf infill brackets	2 off Leg brackets

## 2.2 FIRE PLACE OPENING

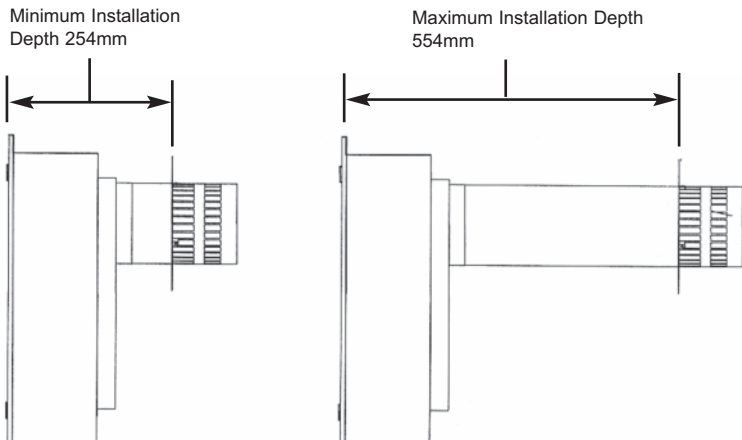
- 2.2.1 The front opening of the fire place must be between 750 and 840mm wide and between 1025mm and 1050mm high. If the opening exceeds these dimensions then a surround must be constructed from suitable non-combustible material to produce a suitable sized opening. Any surround must be suitably sealed to the fire place to prevent leakage. See figure 3 below.

**Fig. 3**



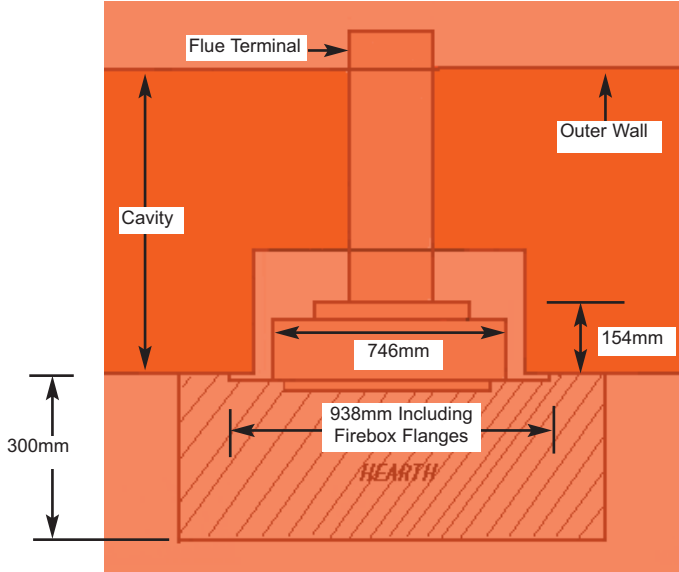
- 2.2.2 The minimum / maximum sized distances between the firebox mounting flange and outside wall are shown below and overpage in figure 4 & 5.

**Fig. 4**



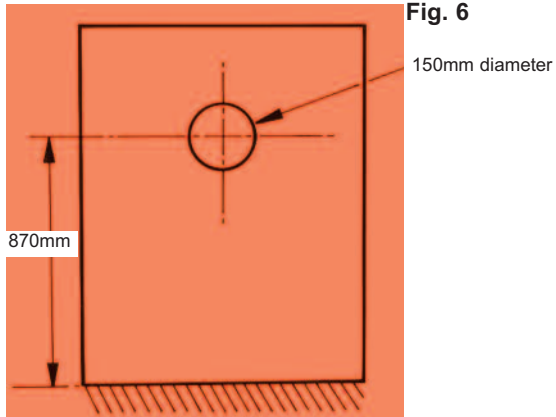


**Fig. 5**



### **2.3 PREPARATION OF THE WALL**

- 2.3.1 The appliance and flue pipes must be installed at right angles to the mounting wall. The appliance itself should be installed vertically against a flat wall. Where an uneven wall surface is found, appropriate action should be taken to ensure that the appliance is not stressed or does not distort when installed.
- 2.3.2 Ensure that the floor surface onto which the appliance is mounted onto is flat. The minimum height from the floor to the centre of the flue is shown on figure 6 overpage.



**Fig. 6**

150mm diameter

870mm

## 2.4 PREPARATION OF THE FLUE HOLE

2.4.1 Mark the position of the centre of the flue on the inner wall.

2.4.2 Cut hole for outer flue pipe. There are two possible methods to achieve this, either core drill or via hammer and chisel.

2.4.3 To core drill, proceed as follows :-

Drill a pilot hole through the wall, in position as specified in figure 6.

Using a 6" core drill, drill the flue hole.

To Hammer and chisel, proceed as follows :-

Mark the position of the centre of the flue pipe as specified in figure 6.

Mark the position of the hole around this point.

Chisel out the area as marked on the wall.

2.4.4 We then recommend that a cardboard cylinder is placed around the flue pipe and inserted in the chiselled out hole whilst making good.

### **NOTE :-**

**If the appliance is to be installed into a building under construction, it is recommended that a non-corrosive metal tube of 6" diameter be inserted into the position of the hole.**

## 2.5 INSTALLATION OF THE GAS SUPPLY

2.5.1 Before installing the firebox, decide from which side or if a rear connection to the gas supply is required. Plan the pipe run to enter the firebox from the left, right or rear and connect to the inlet elbow. See below :-

2.5.2 If concealed pipe work is required plan the pipe run to enter the fire box through the opening in the rear of the fire box and connect to the inlet elbow. See section 2.15 for burner removal to obtain access to the inlet elbow cover plate. See figure 7 & 8 below for a suggested concealed pipe layout.

Fig. 7

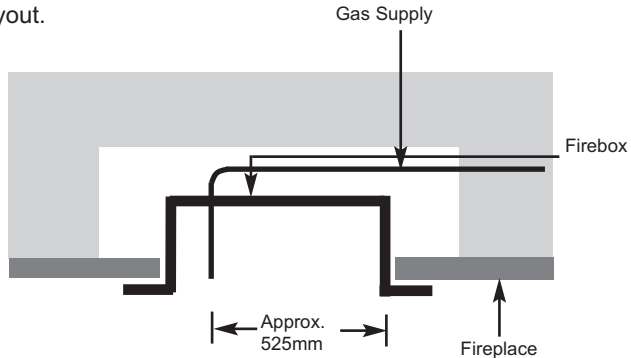
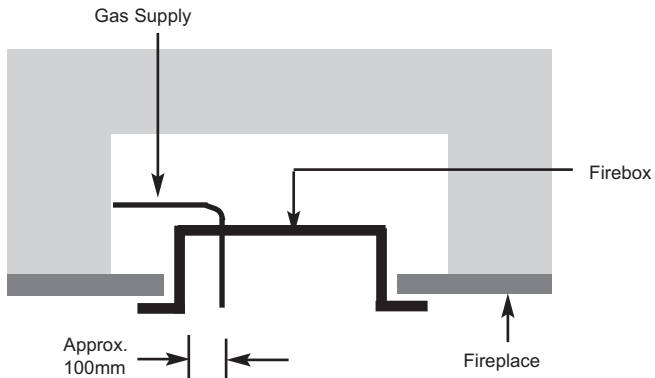


Fig. 8



**Note :** Before breaking into the gas supply a pressure drop test should be carried out to establish that the existing pipework is sound.

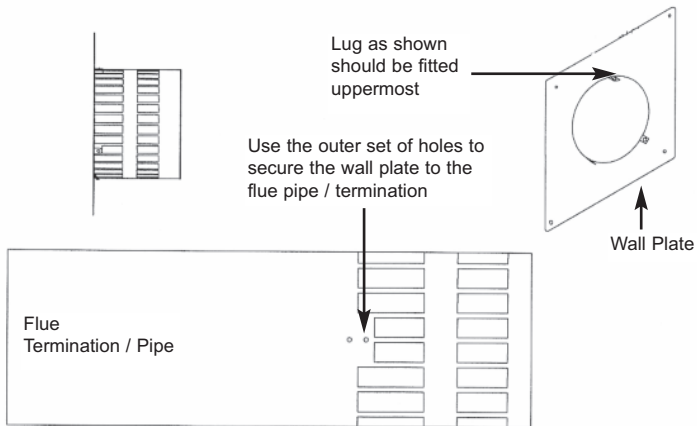
## 2.6 PREPARATION OF THE FLUE DUCT

- 2.6.1 Place the firebox into the fire opening with fire surround correctly secured in the final position. From the outside of the house measure from the face of the outside wall to the rear panel of the firebox through the flue hole. Cut the flue duct to this size.

### IMPORTANT : ENSURE THE PIPES ARE CUT SQUARELY.

- 2.6.2 The joint between the firebox and the flue duct as shown below in figure 9 must be secured with screws and sealed with the foil tape as supplied. In order to do this, the wall plate must be removed from the flue pipe / termination.

Fig. 9



- 2.6.3 Due to the varying lengths of flue that will be required via differing installations it will be necessary to drill the flue pipe using the 3 off holes in the mounting flange on the rear of the combustion chamber as a guide for positioning. When the holes have been drilled and the screws fitted, wrap the joint with the foil tape supplied.
- 2.6.4 Re-fit the wall plate ensuring the outer set of holes as indicated above in figure 9 are used. Use a high temperature sealant to secure the wall plate to the outside wall of the property before securing with the screws and rawplugs supplied to ensure a mechanical fix.

## 2.7 SECURING OF FIREBOX TO THE OPENING

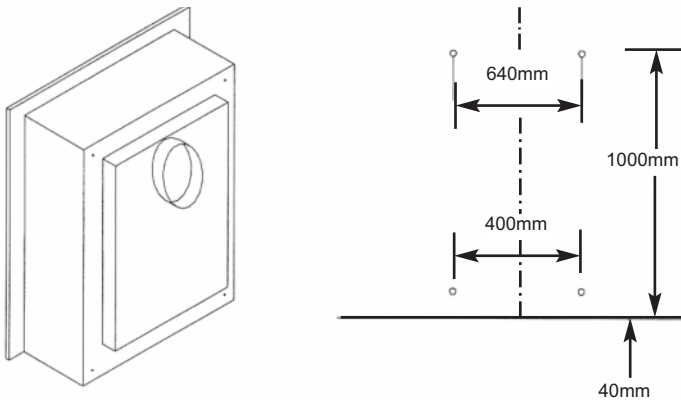
2.7.1 There is a choice of methods of fixing the firebox that are provided to enable the installer to deal with any type of installation. The preferred method of fixing the appliance is the cable fixing method, which is described in detail in the following section.

2.7.2 If the standard firebox fixing flange is to be used, the firebox may be secured using the cable method, but in installations where the cable method is not suitable, e.g. insufficient space behind the firebox, or loose masonry, the firebox can be fitted directly to either the front of the fireplace via the flange with the four off screws provided. The firebox will require sealing to the fireplace, regardless of the method used.

2.7.3 To secure the fire using the preferred cable method, proceed as follows below :-

2.7.4 Mark out and drill 4 off No 14 6mm holes in the rear face of the fire opening in the positions as shown in figure 10 below.

Fig. 10



2.7.5 Fit the wall plugs provided and screw the fixing eyes securely into the rear of the fire opening. Remove the glass frame and burner assembly as detailed in section 2.10 / 2.11.

2.7.6 Uncoil the two fire fixing cables and thread one end of the each of the cables through the ears in the top of the fire box lid, and through each fixing eye at the top. (**Removing the top closure plate may improve access**). Thread both cables through the fixing eye's at the bottom, then the holes at the bottom of the firebox.

2.7.7 Thread the cables through the rear of the firebox, insert the flue pipe / terminal through the hole in the rear of the opening and offer the firebox

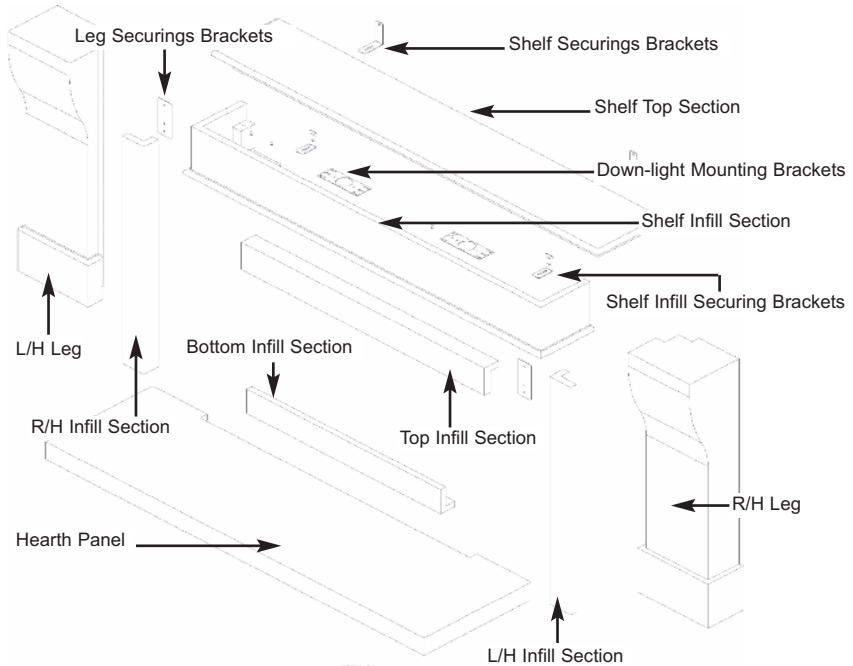
up to the fireplace.

- 2.7.8 Thread a tensioning screw over both of the cables and ensure that the tensioning nut is screwed fully up against the hexagon shoulder of the tensioning screw (this provides maximum travel for the tensioning nut).
- 2.7.9 Fit a screwed nipple on to each of the cables and pull hand tight up against the tensioning screw, then secure each nipple with a screwdriver.
- 2.7.10 Before making the final gas connection, thoroughly purge the gas supply pipework to remove all foreign matter, otherwise serious damage may be caused to the gas control valve on the fire.  
**Failure to purge the gas supply will invalidate the guarantee.**

## 2.8 INSTALLING THE DA VINCI / BOTICELLI SURROUND

- 2.8/9.1 Unpack the surround from the wooden crate, check all parts are present as per figure 11 & 12 overpage and carefully store the components.
- 2.8/9.2 The underside of the hearth should be painted with a weak PVA (8 parts water to 1 part PVA). This will prevent staining penetrating through the stone. The hearth must be centered to the opening. If the fireplace is to be installed on a chimney breast ensure that the opening is also centered to the chimney breast. It is essential that the hearth is completely level. The hearth must be bedded down on bonding or an equivalent material. Avoid cement based products and ensure the hearth is firmly fitted and well supported. Allow the bedding material to set before any weight is placed onto the hearth. Wipe off any surplus bonding material with a wet sponge.
- 2.8/9.3 Fit brackets to top of legs, offer leg up to wall and mark position of fixing hole on wall, use shelf to ensure legs are correctly spaced / positioned. Remove shelf then cover hearth with dust sheet and drill the fixing holes. Remove the brackets from the legs, fix the side infills into place with suitable adhesive and secure the leg fixing brackets only to the wall. Fit legs to brackets that have been securely attached to the wall with fixings as detailed in 2.8/9.4
- 2.8/9.4 Assess the wall onto which the fire is to be installed and ensure that it is of sound construction and suitable for supporting the weight of the surround. Fixings used to secure the leg brackets to the masonry of the chimney breast shall be of expansive stainless steel or galvanised steel type masonry fixings for dense concrete blockwork or brickwork. Where fixings are located into light weight blockwork or friable aggregate blocks, the fixings shall be of the resin anchor type.**
- 2.8/9.5 Fix the shelf top infill section and shelf infill into place again utilising the same procedure as for the legs, i.e. mark positions, drill holes to suit, remove brackets and secure brackets to wall with suitable fixings as detailed in 2.8.4. Now refer to section 2.13 for installation of down-lights.
- 2.8/9.6 Fit shelf top section into place ensuring it is correctly centered, mark the position of holes for securing brackets on wall, remove shelf and drill wall and insert fixings in accordance with 2.8/9.4, these brackets can be recessed if required.
- 2.8/9.7 Once the fireplace is correctly installed, grout all of the joints including between the fireplace and the wall with a water based cream mastic or tile grout. Ensure all surplus grout is immediately removed by washing the stonework using a sponge and clean water. Ensure all surplus grout is immediately removed by washing the stonework using a sponge and clean water.

## 2.8 - Fig. 11 - Da Vinci Surround



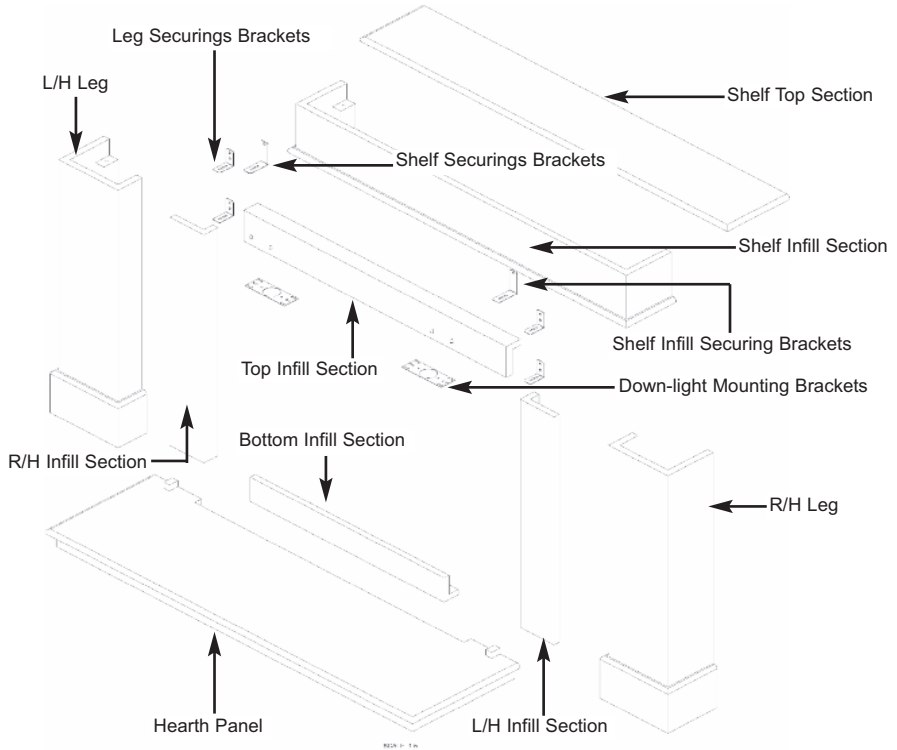
### Contents of Da Vinci Surround :-

- 1 off      Hearth
- 1 off      Shelf
- 1 off      Top infill
- 1 off      Firebox / burner assembly
- 1 off      Bottom infill section
- 1 off      L/H leg
- 1 off      R/H leg
- 1 off      Shelf infill section
- 1 off      L/H infill section
- 1 off      R/H infill section
- 2 off      Shelf brackets
- 2 off      Leg brackets
- 2 off      Shelf infill securing brackets

**NOTE :** Down-light mounting brackets are supplied adhered to the top shelf infill. Down-light kit and nuts for securing are supplied in the loose items pack.



## 2.9 - Fig. 12 - Boticelli Surround



### Contents of Boticelli Surround :-

1 off	Hearth
1 off	Shelf
1 off	Top infill
1 off	Firebox / burner assembly
1 off	Bottom infill section
1 off	L/H leg
1 off	R/H leg
1 off	Shelf infill section
1 off	L/H infill section
1 off	R/H infill section
2 off	Shelf brackets
2 off	Leg brackets
2 off	Shelf infill securing brackets

**NOTE :** Down-light mounting brackets are supplied adhered to the top shelf infill. Down-light kit and nuts for securing are supplied in the loose items pack.

## 2.10 MAKING THE GAS CONNECTION / PRESSURE TESTING

**THIS APPLIANCE IS INTENDED FOR USE ON A GAS SUPPLY WITH A GOVERNED METER.**

- 2.10.1 The gas connection should be made to the appliance inlet elbow to using 8mm rigid tubing.
- 2.10.2 Remove the pressure test point screw from the inlet elbow and fit a manometer.
- 2.10.3 Turn on the main gas supply and carry out a gas tightness test. Light the fire (see section 3.2 for instructions).
- 2.10.4 Check that the gas pressure is **20.0 mbar (+/- 1.0mbar) 8.0 in w.g.(+/- 0.4 in w.g.)**. Turn off the fire, remove the manometer and refit the pressure test point screw. Check the pressure test point screw for gas tightness with the appliance turned on using a suitable leak detection fluid or detector.

## 2.11 MAKING THE ELECTRICAL CONNECTION.

**WARNING :** THIS APPLIANCE MUST BE EARTHED AND SHOULD BE PREFERABLY CONNECTED VIA A 3 AMP SWITCHED FIXED FUSED SPUR WITH A MINIMUM CONTACT SEPARATION OF 3MM. IT MAY HOWEVER BE CONNECTED TO A 3 PIN PLUG TO BS 5733. THAT IS FITTED WITH A 3 AMP FUSE TO BS 1362.

- 2.11.1 The product is supplied with a mains cable and 3 pin plug fitted. The mains cable will exit the combustion chamber from the rear left hand side (viewed from the front), through the grommet. If the supply cord is damaged, it must be replaced by the manufacturer, it's service agent or similarly qualified persons in order to avoid a hazard.
- 2.11.2 Plug the mains cable supplied into a suitable socket in close proximity to the appliance or remove the plug and wire into a 3 amp switched fixed fused spur.

## 2.12 FITTING THE TERMINAL GUARD

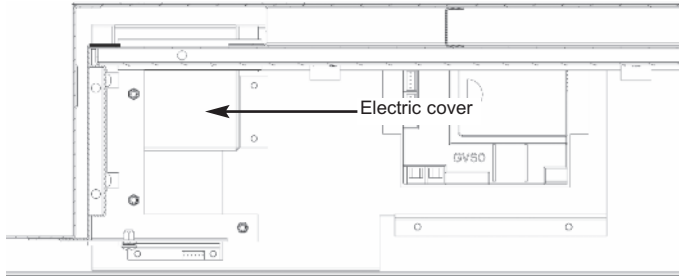
- 2.12.1 With the flue terminal in position, place the terminal guard over the top of the flue terminal and mark the position of the holes on the outer wall.
- 2.12.2 Remove the terminal guard and drill the 4 off 6 mm holes.
- 2.12.3 Insert the raw plugs into the drilled holes, replace the terminal guard over the top of the flue terminal and attach to the wall using the No.12 x 40mm screws provided with the terminal guard.

**NOTE :** In England & Wales, building regulations require that a terminal guard should be fitted if the terminal could come into contact with people near the building or be subject to damage. BFM Europe Ltd. also recommend the fitting of a flue terminal guard where regulations do not demand that it be fitted. A suitable flue terminal guard is supplied with the appliance.

## 2.13 INSTALLATION OF LAMP ASSEMBLIES

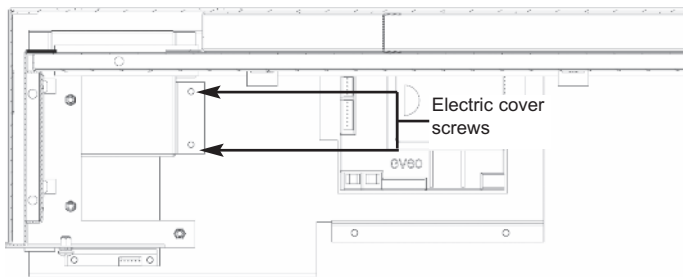
- 2.13.1 Remove the burner assembly as described in section 2.15  
Locate the electric cover below the burner unit as shown below in figure 13.

**Fig. 13**



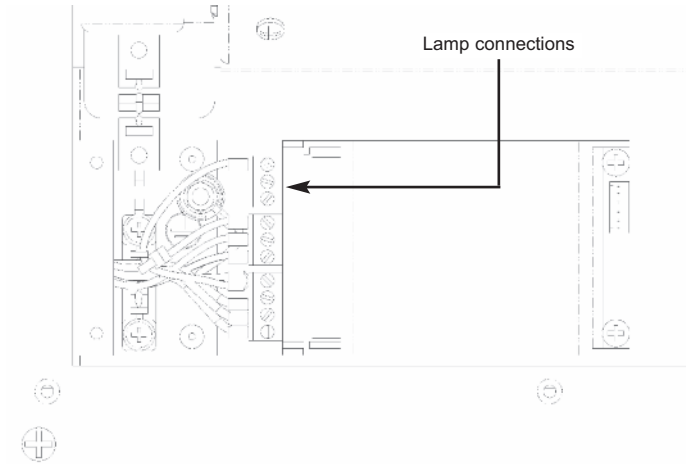
- 2.13.2 Remove the electric cover retaining screws as shown in figure 14 below.

**Fig. 14**



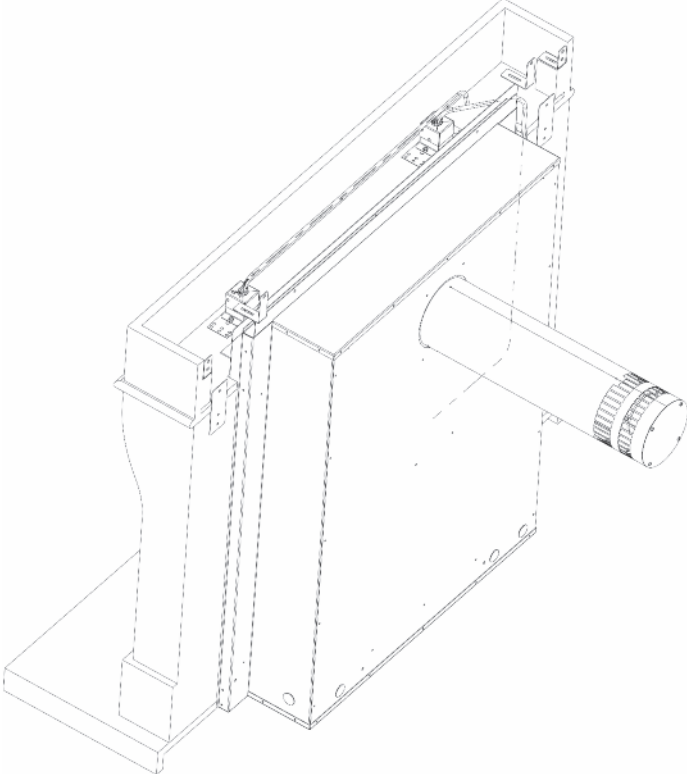
- 2.13.3 With the two screws from electric cover removed (see figure 14) lift the cover clear and feed wiring from lamp assemblies through the grommet in the rear of the fire and make connections as shown in figure 15 below.

**Fig. 15**



- 2.13.4 Re-assemble electrics cover and in reverse order.
- 2.13.5 Route lamp wiring up to surround shelf infill level ensuring that the wiring is kept clear of hot surfaces.
- 2.13.6 Fit the surround up to the point of the shelf infill (refer to section 2.8)
- 2.13.7 The surround lamp assemblies are then fitted to the surround using the two nuts provided, as shown in figure 16 overpage.
- 2.13.8 Fit the bulbs provided in the loose items pack as shown overpage in figure 16, then finally fit the surround shelf.

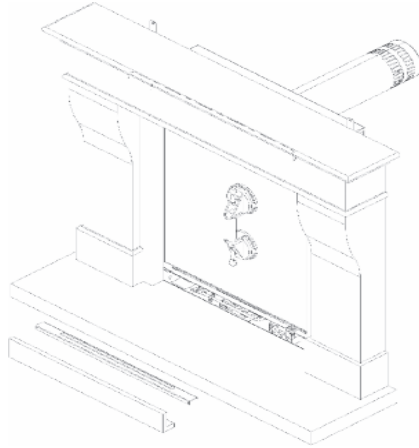
**Fig. 16 - Shown from rear for clarity**



## 2.14 REMOVING & REFITTING OF THE GLASS FRAME.

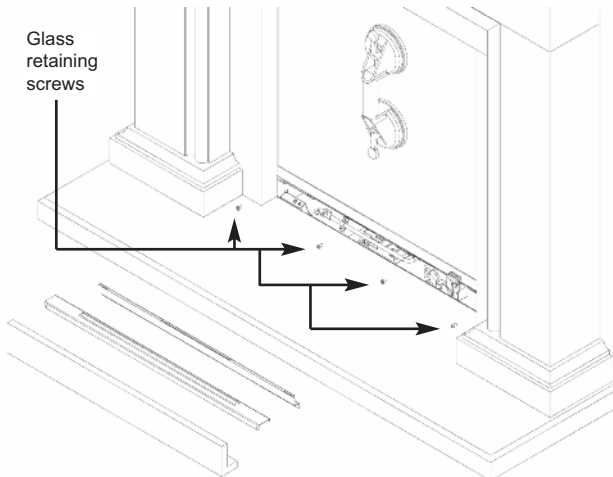
- 2.14.1 Remove the glass panel by firstly removing the lower infill panel, and black trim, then affixing the glass clamp to the glass panel as shown below in figure 17 (Images shown with surround installed, please install firebox before surround).

**Fig. 17**



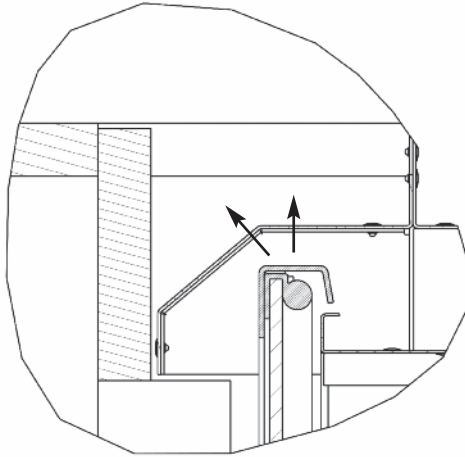
- 2.14.2 Remove 5 off screws which hold the lower retaining bracket in position. Remove the 4 off glass frame retaining screws as shown in figure 18 below. (Images shown with surround installed, please install firebox before surround).

**Fig. 18**



- 2.14.3 Unhook the glass panel from the top retaining channel by lifting upwards then tilt the top edge of the glass assembly towards you as shown below in figure 19 (sectional view shown through product for clarity).

**Fig. 19**



- 2.14.4 Remove the glass frame assembly by dropping down, sliding to the left until the right hand edge of the glass frame can be released from behind the right hand leg of the surround as shown below in figure 20 and overpage in figure 21 (Images shown with surround installed, please install firebox before surround).

**Fig. 20**

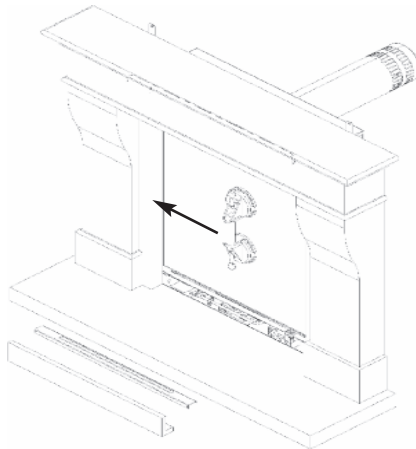
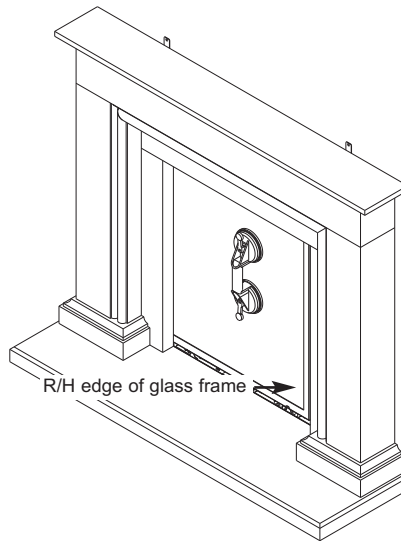


Fig. 21



2.14.5 Store the glass frame assembly in a safe place.

2.14.6 Re-assemble in reverse order when re-fitting the glass assembly.

**Ensure that the glass assembly is correctly located on the top flange of the combustion chamber, this can be achieved by putting your hand onto the top edge of the glass frame inside the convection air aperture and pushing down firmly to check the glass frame is correctly located.**

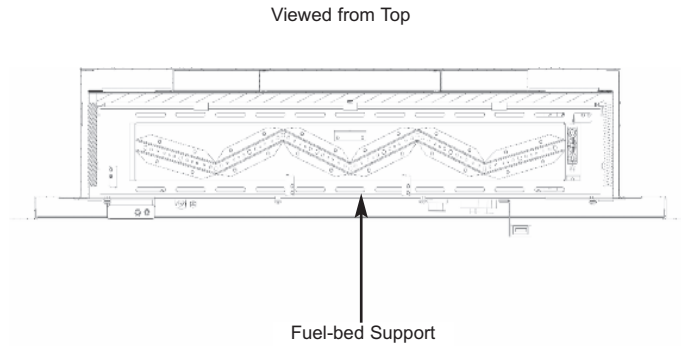
**DO NOT OPERATE THE FIRE WITHOUT THE GLASS FRAME ASSEMBLY IN POSITION OR NOT CORRECTLY LOCATED.**



## 2.15 REMOVAL OF THE BURNER ASSEMBLY

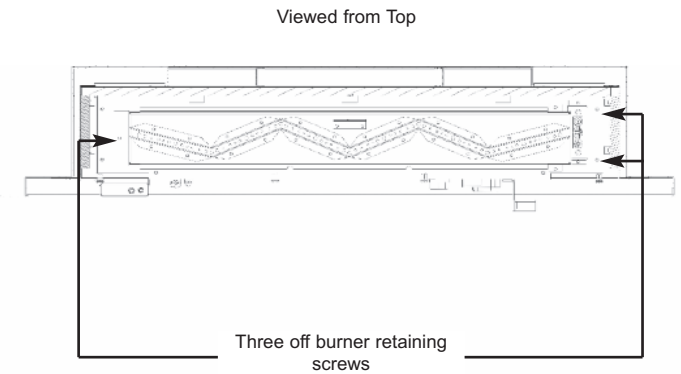
- 2.15.1 Remove the burner. To allow burner removal, firstly remove the glass frame assembly as per section 2.14. The fuel-bed support must be removed to allow access to the burner fixings. Remove the fuel-bed support as shown below in figure 22.

**Fig. 22**



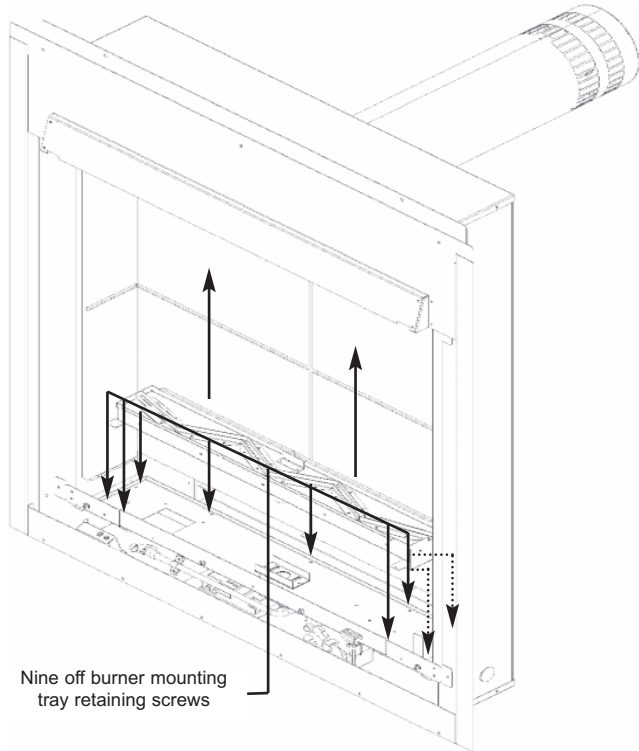
- 2.15.2 Remove the 3 off screws that hold the burner in position, see figure 23 below.

**Fig. 23**



- 2.15.3 Remove the burner by lifting clear from the combustion chamber as shown below in figure 24. Remove the burner mounting tray via the 9 off securing screws as indicated below in figure 24 to allow access to connect the downlights as detailed in section 2.13.

**Fig. 24**



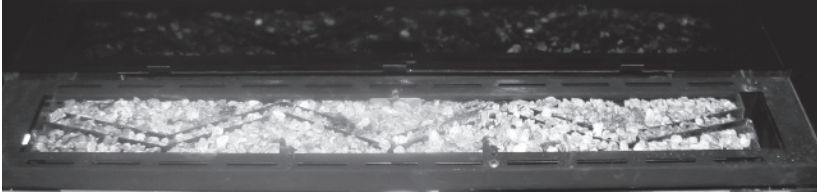
- 2.15.4 Store the burner unit and burner mounting tray panel in a safe position.
- 2.15.5 Re-assemble in reverse order.

## SECTION 3

### 3.1 ASSEMBLING THE LOG FUEL-BED

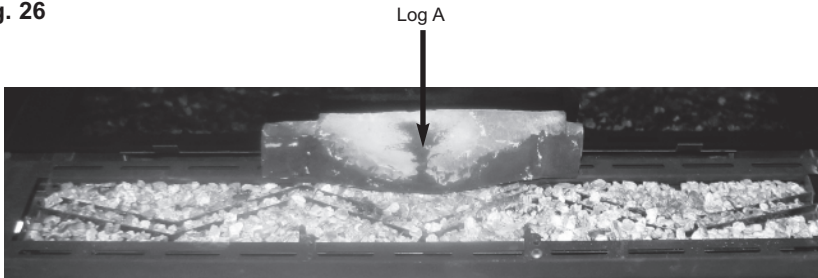
- 3.1.1 Lay an even layer of vermiculite material across the burner tray as shown below in figure 25.

**Fig. 25**



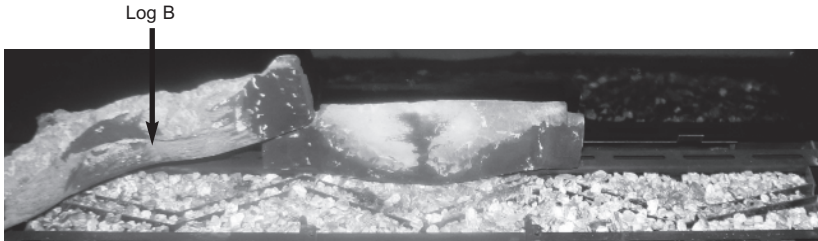
- 3.1.2 Place log "A" in a central position as shown below in figure 26, using the location hole on the base of the log to position in line with the location peg on the burner.

**Fig. 26**



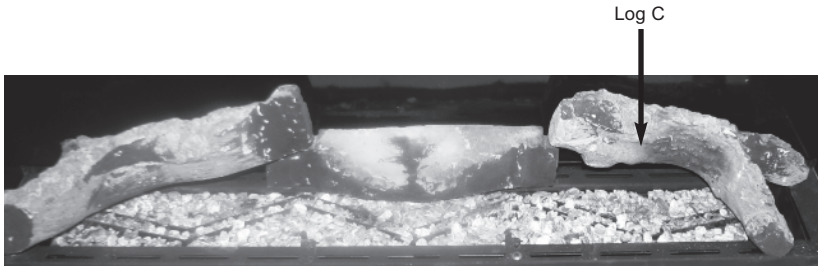
- 3.1.3 Place log “B” in position at the left hand side of the burner as shown below in figure 27, using the cut out on the left hand side of log “A” as a guide for placement and the locating lug at the LHS of the fuel tray.

**Fig. 27**



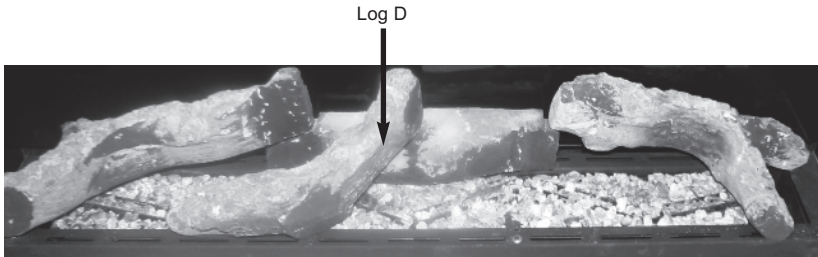
- 3.1.4 Place log “C” in position at the right hand side of the burner as shown below in figure 28, using the cut-out on the right hand side of log “A” as guide for placement.

**Fig. 28**



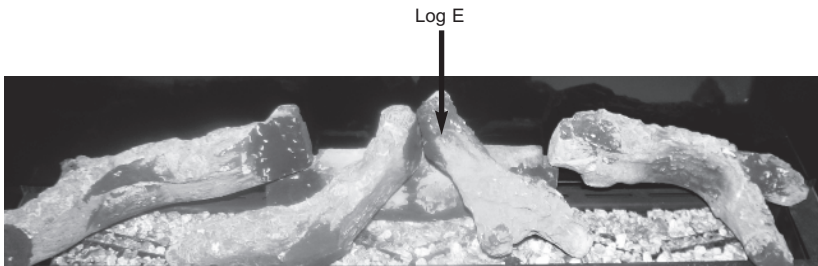
- 3.1.5 Place log “D” in position at the centre left hand side of the burner as shown below in figure 29, using the locating peg at the front of the burner and positioning on log “A” as shown.

**Fig. 29**



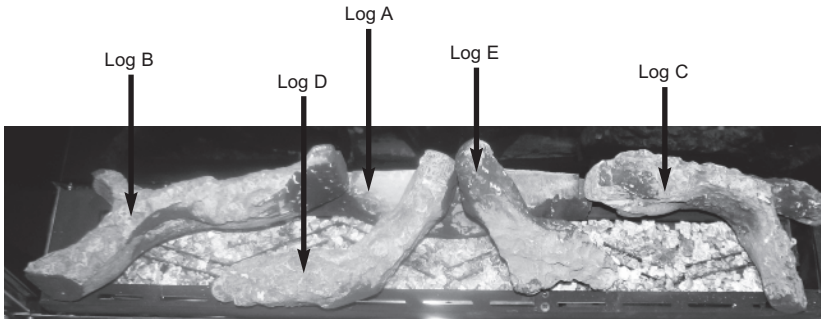
- 3.1.6 Place log “E” in position at the centre right hand side of the burner as shown below in figure 30, using the locating peg at the front of the burner and positioning on log “A” as shown.

**Fig. 30**



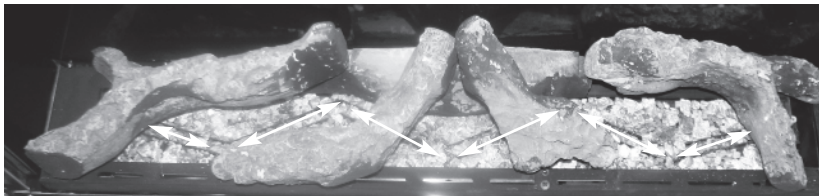
3.1.7 As a final check ensure that the logs are layed correctly as shown below in figure 31.

**Fig. 31**



3.1.8 If required fit the embaglow material over the flame ports. To do this seperate into short strands and place randomly over the flame porting area as indicated by the arrows below in figure 32. **This material is only supplied to improve flame aesthetics and is optional to install.**

**Fig. 32**



3.1.9 Re-fit the glass frame assembly as shown in section 2.14 before proceeding to section 3.2

**Warning : Use only the log fuel-bed supplied with the fire. When replacing the log fuel-bed remove the old log fuel-bed and discard it. Fit a complete log fuel-bed from the manufacturer, only use genuine replacements.**

**THE FOLLOWING STATEMENT IS APPLICABLE TO ALL FUEL-BED TYPES**

This appliance uses fuel effect pieces containing Refractory Ceramic Fibres (R.C.F.), which are man-made vitreous silicate fibres. Excessive exposure to these materials may cause temporary irritation to eyes, skin and respiratory tract. Consequently, it makes sense to take care when handling these articles to ensure that the release of dust is kept to a minimum. To ensure that the release of fibres from these R.C.F. articles is kept to a minimum, during installation & servicing we recommend that you use a HEPA filtered vacuum to remove any dust and soot accumulated in and around the fire, before and after working on the fire. When replacing these articles we recommend that the replaced items are not broken up, but are sealed within a heavy duty polythene bag, clearly labelled as “RCF waste”. This is not classified as “hazardous waste” and may be disposed of at a tipping site licensed for the disposal of industrial waste. Protective clothing is not required when handling these articles, but we do recommend you follow the normal hygiene rules of not smoking, eating or drinking in the work area, and always wash your hands before eating or drinking.

**This appliance does not contain any component manufactured from asbestos or asbestos related products.**

## 3.2 LIGHTING THE APPLIANCE

**IMPORTANT : IF THE BURNER IS EXTINGUISHED FOR ANY REASON YOU MUST ENSURE THAT YOU WAIT A FULL FIVE MINUTES BEFORE ATTEMPTING TO RE-LIGHT THE FIRE.**

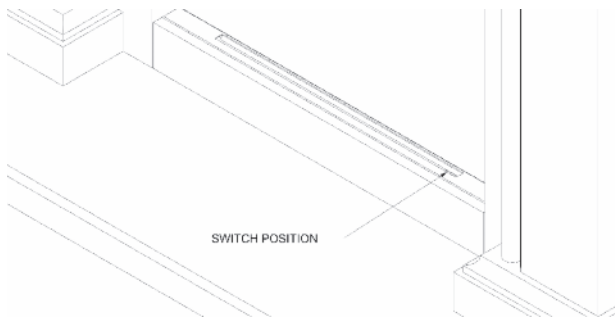
The product is controlled by the remote handset supplied with the fire. Ensure the 3 off AAA batteries as supplied in the loose items pack have been fitted to the remote handset before attempting to use the handset and the mains electrical connection has been made to the product as per section 2.11.

There are 4 modes of operation of the product, “MANUAL mode”, “TEMPERATURE mode”, “TIMER mode” and “LIGHTING / DIMMER” mode.

### 3.2.1 Operation of the Fire in “MANUAL” mode

3.2.1.1 Locate the ON/OFF switch on the appliance, it is situated behind the access cover at the bottom of the as shown below in figure 33. Ensure that the on / off switch on the valve is in the “ON” (1) position

Fig. 33



3.2.1.2 The remote handset is now used to control all functions of the fire. To light the fire, press the “UP” arrow and “OFF” button simultaneously, as shown on figure 34 below. You will hear a click and the fire begins a 30 second ignition process. The pilot and main burner will light. The appliance is now in “MANUAL mode” which will be shown via the “MAN” graphic on the display of the handset as shown below in figure 34.

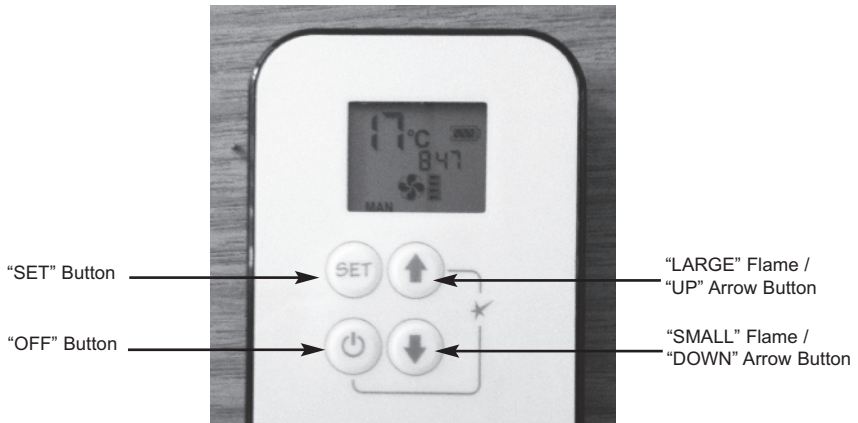
Fig. 34





3.2.1.3 With the product in “MANUAL” mode the fire can now be switched between HIGH rate heat input and LOW rate heat input by pressing the “DOWN” arrow on the handset. To reduce the flame height of the main burner incrementally, press the arrow momentarily. To reduce the heat input directly down to the minimum level, press the “SMALL” flame arrow on the handset twice, “LO” will be displayed. NOTE : The flame will go to HIGH rate heat input before going to designated LOW rate heat input. To return back to HIGH rate heat input press the “LARGE” flame button twice. To put the fire in In “STANDBY MODE” (only the pilot remains lit) press and hold the “SMALL” flame arrow on the handset. See figure 35 below.

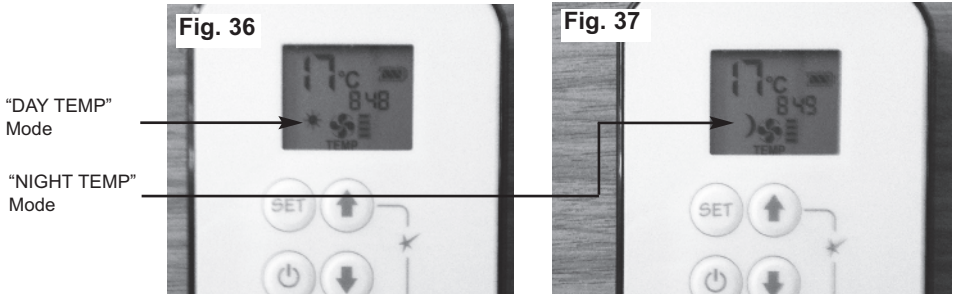
**Fig. 35**



3.2.1.4 To turn the fire off, press the “OFF” button, this will extinguish all flames including the pilot.

### 3.2.2 Operation of the Fire in “TEMPERATURE” mode

- 3.2.2.1 In order to change the mode of operation from “MANUAL” to “TEMPERATURE”, press the “SET” button, the fire will then change to either “DAY TEMP” (figure 36) mode or “NIGHT TEMP” mode (figure 37). To alternate between the 2, press the “SET” button. **The display on the handset will show the current temperature in the room.**



**NOTE :** The “SET” button allows you to alternate between all modes of operation :- “MANUAL”, “DAY TEMP”, “NIGHT TEMP”, “TIMER” and back to “MANUAL”. Alternatively, pressing either the “UP” or “DOWN” arrow allows the unit to revert to “MANUAL” mode. **Fire must be in standby mode (pilot must be lit) for temperature mode to be used.**

- 3.2.2.2 Within the “TEMPERATURE” mode there are options for either “DAY TEMP” or “NIGHT TEMP”. These temperatures can be set independently to allow a higher temperature to be maintained at night than during the day, or if setting the same temperature for day and night the fire will compensate for the generally cooler evening temperatures and automatically increase the heat input level accordingly.
- 3.2.2.3 To set the temperature, ensure the handset is in “TEMPERATURE” mode and then press the “SET” button until the “TEMP” display flashes then let go. Proceed to set the desired temperature by pressing the “UP” (large flame) or “DOWN” (small flame) arrows as necessary, then press “OFF” to complete the process.  
**NOTE :** Minimum temperature is 5°C, Maximum temperature is 30°C, or minimum 41F to maximum 86F when in Fahrenheit mode.
- 3.2.2.4 Press the “OFF” button to stop the display flashing or wait to return to “TEMPERATURE” mode. **NOTE :** If you set a temperature below the current room temperature the fire will switch to standby mode (pilot burner only) until the room has cooled to the temperature you have set on the handset display.
- 3.2.2.5 If you would like the “NIGHT TEMP” to turn the fire off then decrease the temperature until [----] is displayed.

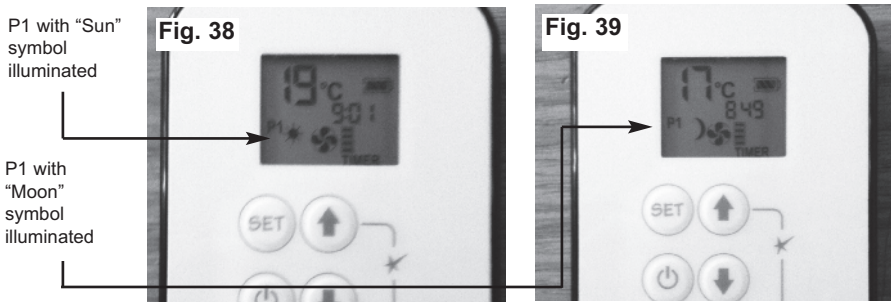
### 3.2.3 Operation of the Fire in “TIMER” mode

3.2.3.1 In order to change the mode of operation from “MANUAL” to “TIMER”, press the “SET” button, the fire will then alternate between the settings until the “TIMER” mode is displayed.

**NOTE :** The “SET” button allows you to alternate between all modes of operation :- “MANUAL”, “DAY TEMP”, “NIGHT TEMP”, “TIMER” and back to “MANUAL”. Alternatively, pressing either the “UP” or “DOWN” arrow allows the unit to revert to “MANUAL” mode. **Fire must be in standby mode (pilot must be lit) for temperature mode to be used.**

3.2.3.2 Within the “TIMER” setting mode there are two programmable settings you can make over a 24 hour period, namely P1 and P2. To set the timer, ensure the handset is in “TIMER” mode as detailed in section 3.2.3.1 above.

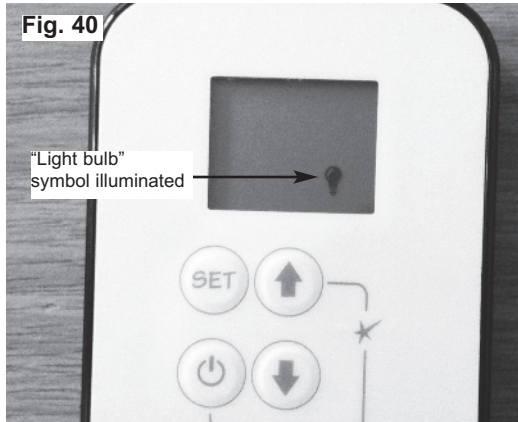
3.2.3.3 To set the P1 timed start setting, press and hold the “SET” button until the P1 (sun symbol is displayed as per figure 38 below) and the time flashes. Set the hour by pressing the “UP” (large flame) and set the minutes (in ten minute increments) by pressing the “DOWN” (small flame) as necessary, then press “OFF” button to complete the process. Repeat for the P2 (moon symbol is displayed as per figure 39 below) Set the hour by pressing the “UP” (large flame) and set the minutes (in ten minute increments) by pressing the “DOWN” (small flame) as necessary, then press “OFF” button to complete the process.



3.2.3.4 To set the P2 timed setting, press the “SET” button until the “TIMER” mode is displayed. Hold the “SET” button until the display flashes the current time for P1. Press the “SET” button again to scroll past the setting for P1 (sun) and P1 (moon). The time should now be flashing on the handset. Set the hour by pressing the “UP” (large flame) and set the minutes (in ten minute increments) by pressing the “DOWN” (small flame) as necessary, then press “OFF” button to complete the process.

### 3.2.4 Operation of the Fire in “LIGHT / DIMMER” mode (where down lights are specified)

- 3.2.4.1 In order to change the mode of operation from “MANUAL” to “LIGHT / DIMMER”, briefly press the “SET” button to scroll through to the light bulb mode as shown below in figure 40.



- 3.2.4.2 Press and hold the “LARGE” flame button to turn on the light or increase brightness.
- 3.2.4.3 Press and hold the “SMALL” flame button to decrease the brightness.
- 3.2.4.4 In the light / dimmer mode the “OFF” button shuts off the light, if you want the light on but no flame, press and hold the “SMALL” flame button and turn to pilot flame.

**NOTE :** The light bulb is displayed during light / dimmer setting only. 8 seconds after the light/dimmer has been set, the handset will automatically go into manual mode.

### **3.2.6 Low Battery Signal**

- 3.2.6.1 When the battery in the handset needs replacing, “BATT” will be displayed on the handset.
- 3.2.6.2 Remove the cover on the rear of the handset and replace the 3 off AAA batteries as necessary.

### **3.2.7 To Set the Time on the Remote Handset**

- 3.2.7.1 Simultaneously press the “UP” (large flame) arrow and “DOWN” (small flame) arrow buttons on the remote handset.
- 3.2.7.2 Press the “UP” (large flame) arrow to set the hour and the “DOWN” (small flame) arrow to set the minutes.

### **3.2.8 To Set the °C / 24 Hour or °F / 12 Hour Clock**

- 3.2.8.1 Press and hold the “OFF” and the “DOWN” (small flame) arrow buttons on the handset simultaneously until the display changes from °C to °F and vice versa

## **3.3 Fitting the handset wall bracket**

- 3.3.1 The wall bracket is supplied in the loose items pack and is optional to fit.
- 3.3.2 If fitting the wall bracket, **please be advised that the thermostatic sensor is contained within the handset itself, so the position of the wall bracket will therefore be the position of temperature measurement within the room.** To fit, position as necessary, mark hole positions, drill and secure with fixings provided.

## **3.4 Instructing the user / product handover**

- 3.4.1 Instruct the user on the operation of the fire and the handset.
- 3.4.2 Hand the glass clamp over and advise the customer to store it in a safe place.

## **SECTION 4 MAINTENANCE**

**Servicing should be carried out annually by a competent person such as a GAS SAFE registered engineer. It is a condition of the guarantee scheme that this is carried out by a competent person i.e a GAS SAFE registered Engineer in accordance with these servicing notes and that the thermocouple is changed annually as a condition of the guarantee.**

The condition of the logs should be checked and **if necessary the whole set should be replaced with a genuine replacement set.**

The burner assembly is designed to be removed as a complete unit for ease of access. **After any servicing work a gas tightness check must always be carried out.**

### **For Diagrams refer to Section 2**

#### **4.1 Removing the burner assembly from the fire.**

- 4.1.1 Prepare work area (lay down dust sheets etc.)
- 4.1.2 Remove the glass assembly, remove the ceramic logs and vermiculite.
- 4.1.3 Unscrew and remove the three screws which retain the burner ,then lift clear.
- 4.1.4 To refit the burner assembly, locate the burner unit and refit the three screws. Refit the fuel-bed referring to section 3 for the correct log positions. Re-fit the glass frame assembly.

#### **4.2 Removing the gas control valve**

- 4.2.1 Remove the burner assembly as detailed in section 4.1
- 4.2.2 Isolate the gas supply at the inlet elbow. Remove the controls mounting plate which is held in position by nine screws. Lift the controls mounting plate clear taking care not to damage the wiring to the receiver unit.
- 4.2.3 Remove the valve retaining screws and pipework and remove the valve. Re-assemble in reverse order and carry out a gas tightness test.

### **4.3 Removing the pilot assembly.**

**Note :** Because this appliance is fitted with an atmosphere sensing 'Oxy-Pilot' it is not possible to replace the thermocouple separately, because the thermocouple position is factory set to a tight tolerance. Any replacement of parts on the pilot requires a complete new pilot assembly.

- 4.3.1 Prepare work area (lay down dust sheets etc.)
- 4.3.2 Remove the glass frame assembly as shown in section 2.2 and put it in a safe location. Remove burner assembly as per section 4.1
- 4.3.3 Loosen the pilot nut and remove the two screws retaining the pilot assembly. Unscrew the thermocouple from the gas valve.
- 4.3.4 Re-assemble in reverse order and carry out a gas tightness test.

### **4.4 Replacing the batteries in the handset.**

- 4.4.1 Remove and re-fit the new 3 off AAA batteries by removing the cover on the back of the handset.

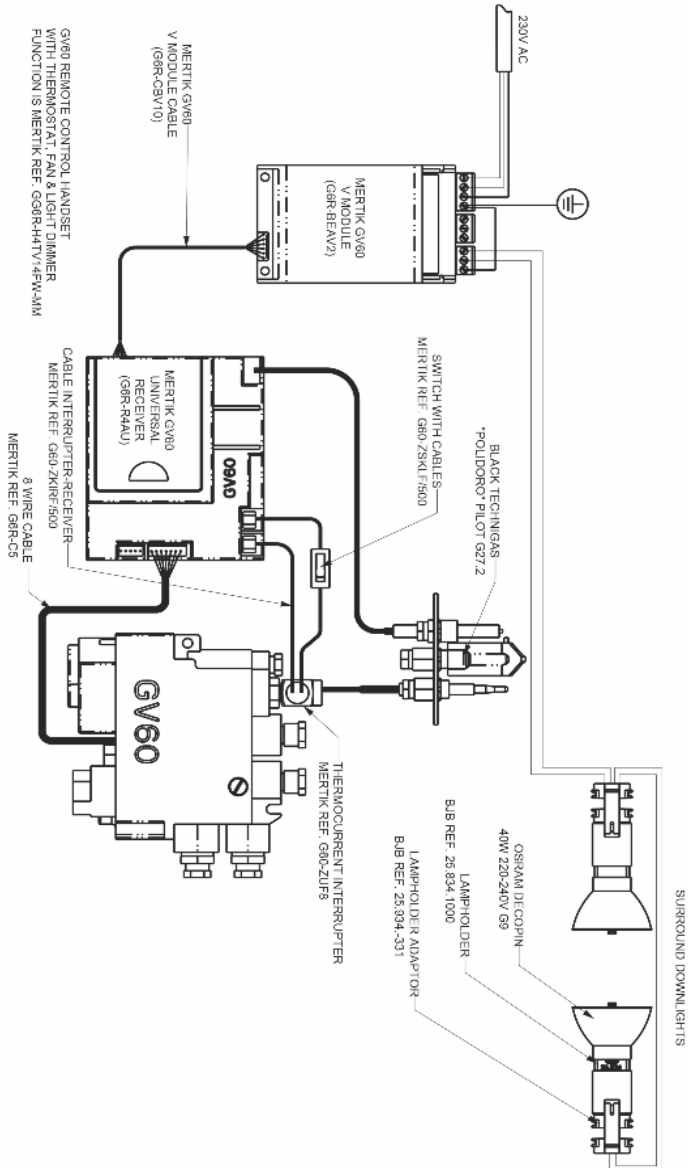
### **4.5 Removing the control board.**

- 4.5.1 Remove the burner from the combustion chamber as described in section 4.1 and the controls mounting plate as described in section 4.2
- 4.5.2 Disconnect the interrupter wires, & wiring loom and then lift the control board clear. Replace in reverse order and re-code handset to the new receiver.

## 4.6 Wiring Diagram

Fig. 43

**IMPORTANT : ALL ELECTRICAL WORK MUST BE CARRIED OUT BY A COMPETENT, QUALIFIED ELECTRICIAN.**





## 4.7 PARTS SHORTLIST

Replacement of any other parts must be carried out by a competent person such as a GAS SAFE registered gas installer. The part numbers of the main replaceable parts are as follows, these are available from your local MM Collection stockist, whose details can be found on the BFM Europe website, in the “stockist” section.

GV60 Gas control valve	B-92200
GV60 Receiver unit	B-153140
GV60 Control module	B-153160
GV60 Remote control thermostatic handset	B-153150
GV60 8 wire cable	B-153720
GV60 V module control cable	B-153170
GV60 On/off switch with cables	CV-104931
Thermocouple Interrupter	B-93300
Cable Interrupter	B-93310
Ignition wire	B-128640
Glass frame assembly	1177-179340
Complete log set	B-182450
Log “A” only	B-184680
Log “B” only	B-184690
Log “C” only	B-184700
Log “D” only	B-184710
Log “E” only	B-184720
Emba-glow material	B-120070
Bag of vermiculite	CV-107116
Pilot assy	CV-104530

## SECTION FIVE - USER INSTRUCTIONS

### 5.1 Installation Information

#### Conditions of Installation

It is the law that all gas appliances are installed only by a competent (e.g. GAS SAFE) Registered Installer, in accordance with the installation instructions and the Gas Safety (Installation and Use) Regulations 1998. Failure to install appliances correctly could lead to prosecution. It is in your own interest and that of safety to comply with the law.

The fire may be fitted below a combustible shelf provided that the shelf is at least 200mm above the top of the appliance and the depth of the shelf does not exceed 150mm.

The fire must not be installed below combustible shelves.

**No purpose made additional ventilation is normally required for this appliance when installed in G.B. When installed I.E. please consult document I.S. 813 : 1996 Domestic Gas Installation which is issued by the National Standards Authority of Ireland. Any purpose made ventilation should be checked periodically to ensure that it is free from obstruction.**

If the chimney or flue has been previously used by appliances burning fuels other than gas they must be swept prior to the installation of this fire.

If this appliance and surround is fitted directly on to a wall soft wall coverings such as wallpaper, blown vinyl etc. could be affected by the heat and hot air and may discolour or scorch. This should be considered when installing or decorating.

The Model number of this appliance is as stated on the rating plate affixed to the control panel of the fire and the appliance is manufactured by:-

BFM Europe Ltd.  
Trentham Lakes  
Stoke on Trent  
ST4 4TJ

## 5.2 ABOUT YOUR NEW DA VINCI / BOTICELLI “L” GAS FIRE

The Collection “Da Vinci / Boticelli L” log effect gas fires incorporate a unique and highly developed fuel bed which gives the realism of a loose log layout combined with realistic flames and glow. The use of durable ceramic material in the construction of the fuelbed components ensures long and trouble free operation.

Please take the time to fully read these instructions as you will then be able to obtain the most effective and safe operation of your fire.

### IMPORTANT SAFETY INFORMATION

#### WARNING

**This appliance is a heating appliance and as with all heating appliances a fireguard should be used for the protection of children, the elderly and infirm. Fireguards should conform to B.S. 8423 : 2002 (Fireguards for use with gas heating appliances).** It is important that this appliance is serviced at least once a year by a GAS SAFE registered engineer. During the annual service, replacement of the pilot must be carried out. **This is a condition of the manufacturers guarantee.** Any debris or deposits should be removed from the fuel bed from time to time. This may be carried out by referring to the cleaning section as described later in this book. Only the correct number and type of logs must be used and only complete and genuine replacement sets must be used. Always keep furniture and combustible materials well clear of the fire and never dry clothing or items either on or near to the fire. Never use aerosols or flammable cleaning products near to the fire when it is in use. **The ceramic fuel bed remains hot for a considerable period after use and sufficient time should be allowed for the fire to cool before cleaning etc.**

#### IMPORTANT NOTES :

**DO NOT UNDER ANY CIRCUMSTANCES USE THIS FIRE IF THE GLASS PANEL IS BROKEN, CRACKED OR MISSING.**

**THIS APPLIANCE IS NOT INTENDED FOR USE BY PERSONS (INCLUDING CHILDREN) WITH REDUCED PHYSICAL, SENSORY OR MENTAL CAPABILITIES, OR LACK OF EXPERIENCE AND KNOWLEDGE, UNLESS THEY HAVE BEEN GIVEN SUPERVISION OR INSTRUCTION CONCERNING USE OF THE APPLIANCE BY A PERSON RESPONSIBLE FOR THEIR SAFETY. CHILDREN SHOULD BE SUPERVISED TO ENSURE THAT THEY DO NOT PLAY WITH THE APPLIANCE. ANY ELECTRICAL WORK MUST BE CARRIED OUT BY A COMPETENT, QUALIFIED ELECTRICIAN. THIS APPLIANCE CAN BE USED BY CHILDREN AGED 8 YEARS AND ABOVE AND PERSONS WITH REDUCED PHYSICAL, SENSORY OR MENTAL CAPABILITIES OR LACK OF EXPERIENCE AND KNOWLEDGE IF THEY HAVE BEEN GIVEN SUPERVISION OR INSTRUCTION CONCERNING USE OF THE APPLIANCE IN A SAFE WAY AND UNDERSTAND THE HAZARDS INVOLVED. CHILDREN SHALL NOT PLAY WITH THE APPLIANCE. CLEANING AND USER MAINTENANCE SHALL NOT BE MADE BY CHILDREN WITHOUT SUPERVISION.**

### 5.3 LIGHTING THE FIRE / USER CONTROLS

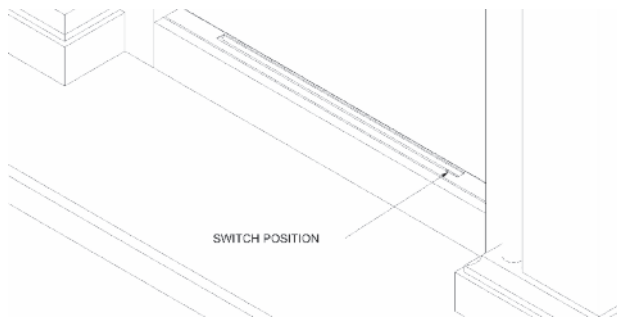
**IMPORTANT :** IF THE BURNER IS EXTINGUISHED FOR ANY REASON YOU MUST ENSURE THAT YOU WAIT A FULL THREE MINUTES BEFORE ATTEMPTING TO RE-LIGHT THE FIRE.

The product is controlled by the remote handset supplied with the fire. Ensure the 3 off AAA batteries as supplied in the loose items pack has been fitted to the remote handset before attempting to use the handset. There are 4 modes of operation of the product, "MANUAL mode", "TEMPERATURE mode", "TIMER mode" and "LIGHTING / DIMMER" mode.

#### 5.3.1 Operation of the Fire in "MANUAL" mode

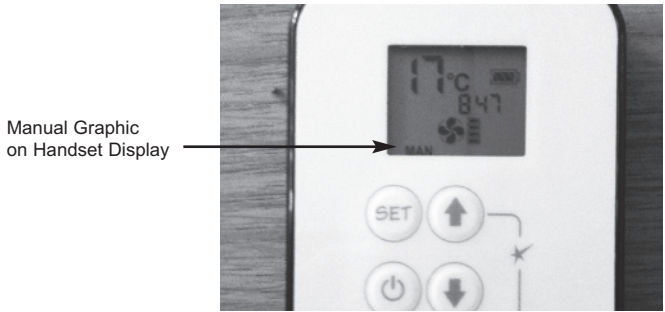
5.3.1.1 Locate the ON/OFF switch on the appliance, it is situated as shown below in figure 1. Ensure that the on / off switch is in the "ON" (1) position.

**Fig. 1**



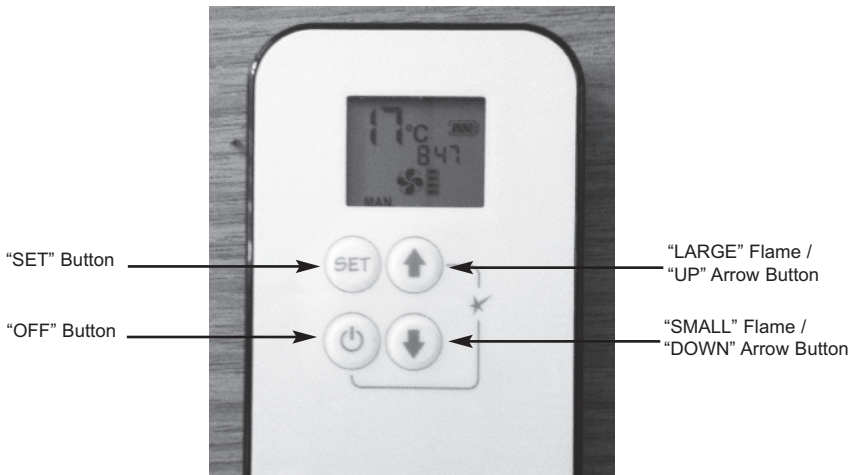
5.3.1.2 The remote handset is now used to control all functions of the fire. To light the fire, press the "UP" arrow and "OFF" button simultaneously as shown on figure 2 overpage. You will hear a click and the fire begins a 30 second ignition process. The pilot and main burner will light. The appliance is now in "MANUAL mode" which will be shown via the "MAN" graphic on the display of the handset as shown overpage in figure 2.

**Fig. 2**



5.3.1.3 With the product in “MANUAL” mode the fire can now be switched between HIGH rate heat input and LOW rate heat input by pressing the “DOWN” arrow on the handset. To reduce the flame height of the main burner incrementally, press the arrow momentarily. To reduce the heat input directly down to the minimum level, press the “SMALL” flame arrow on the handset twice, “LO” will be displayed. NOTE : The flame will go to HIGH rate heat input before going to designated LOW rate heat input. To return back to HIGH rate heat input press the “LARGE” flame button twice. To put the fire in In “STANDBY MODE” (only the pilot remains lit) press and hold the “SMALL” flame arrow on the handset. See figure 3 below.

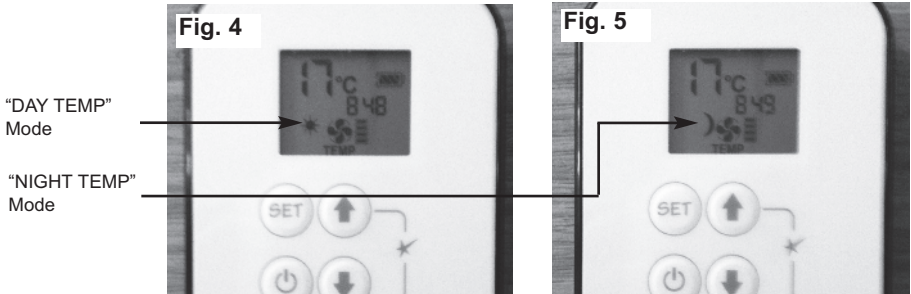
**Fig. 3**



5.3.1.4 To turn the fire off, press the “OFF” button, this will extinguish all flames including the pilot.

### 5.3.2 Operation of the Fire in “TEMPERATURE” mode

5.3.2.1 In order to change the mode of operation from “MANUAL” to “TEMPERATURE”, press the “SET” button, the fire will then change to either “DAY TEMP” (figure 4) mode or “NIGHT TEMP” mode (figure 5). To alternate between the 2, press the “SET” button. **The display on the handset will show the current temperature in the room.**



**NOTE :** The “SET” button allows you to alternate between all modes of operation :- “MANUAL”, “DAY TEMP”, “NIGHT TEMP”, “TIMER”, “LIGHT / DIMMER” and “CIRCULATING FAN” then back to “MANUAL”. Alternatively, pressing either the “UP” or “DOWN” arrow allows the unit to revert to “MANUAL” mode. **Fire must be in standby mode (pilot must be lit) for temperature mode to be used.**

5.3.2.2 Within the “TEMPERATURE” mode there are options for either “DAY TEMP” or “NIGHT TEMP”. These temperatures can be set independently to allow a higher temperature to be maintained at night than during the day, or if setting the same temperature for day and night the fire will compensate for the generally cooler evening temperatures and automatically increase the heat input level accordingly.

5.3.2.3 To set the temperature, ensure the handset is in “TEMPERATURE” mode and then press the “SET” button until the “TEMP” display flashes then let go. Proceed to set the desired temperature by pressing the “UP” (large flame) or “DOWN” (small flame) arrows as necessary, then press “OFF” to complete the process.

**NOTE :** Minimum temperature is 5°C, Maximum temperature is 30°C, or minimum 41F to maximum 86F when in Fahrenheit mode.

5.3.2.4 Press the “OFF” button to stop the display flashing or wait to return to “TEMPERATURE” mode. **NOTE :** If you set a temperature below the current room temperature the fire will switch to standby mode (pilot burner only) until the room has cooled to the temperature you have set on the handset display.

5.3.2.5 If you would like the “NIGHT TEMP” to turn the fire off then decrease the temperature until [----] is displayed.

### 5.3.3 Operation of the Fire in “TIMER” mode

5.3.3.1 In order to change the mode of operation from “MANUAL” to “TIMER”, press the “SET” button, the fire will then alternate between the settings until the “TIMER” mode is displayed.

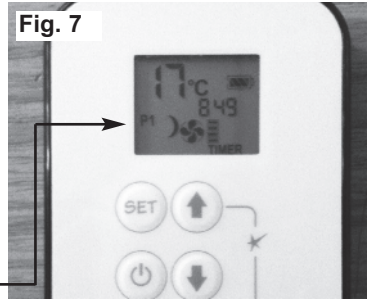
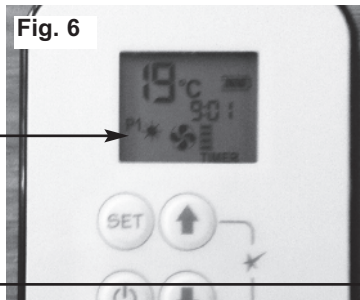
**NOTE :** The “SET” button allows you to alternate between all modes of operation :- “MANUAL”, “DAY TEMP”, “NIGHT TEMP”, “TIMER” and back to “MANUAL”. Alternatively, pressing either the “UP” or “DOWN” arrow allows the unit to revert to “MANUAL” mode. **Fire must be in standby mode (pilot must be lit) for temperature mode to be used.**

5.3.3.2 Within the “TIMER” setting mode there are two programmable settings you can make over a 24 hour period, namely P1 and P2. To set the timer, ensure the handset is in “TIMER” mode as detailed in section 5.3.3.1 above.

5.3.3.3 To set the P1 timed start setting, press and hold the “SET” button until the P1 (sun symbol is displayed as per figure 6 below) and the time flashes. Set the hour by pressing the “UP” (large flame) and set the minutes (in ten minute increments) by pressing the “DOWN” (small flame) as necessary, then press “OFF” button to complete the process. Repeat for the P1 (moon symbol is displayed as per figure below) Set the hour by pressing the “UP” (large flame) and set the minutes (in ten minute increments) by pressing the “DOWN” (small flame) as necessary, then press “OFF” button to complete the process.

P1 with “Sun”  
symbol  
illuminated

P1 with  
“Moon”  
symbol  
illuminated



### 5.3.4 Operation of the Fire in “LIGHT / DIMMER” mode

- 5.3.4.1 In order to change the mode of operation from “MANUAL” to “LIGHT / DIMMER”, briefly press the “SET” button to scroll through to the light bulb mode as shown below in figure 8.

Fig. 8



- 5.3.4.2 Press and hold the “LARGE” flame button to turn on the light or increase brightness.
- 5.3.4.3 Press and hold the “SMALL” flame button to decrease the brightness.
- 5.3.4.4 In the light / dimmer mode the “OFF” button shuts off the light, if you want the light on but no flame, press and hold the “SMALL” flame button and turn to pilot flame.

**NOTE :** The light bulb is displayed during light / dimmer setting only. 8 seconds after the light/dimmer has been set, the handset will automatically go into manual mode.



### **5.3.5 Low Battery Signal**

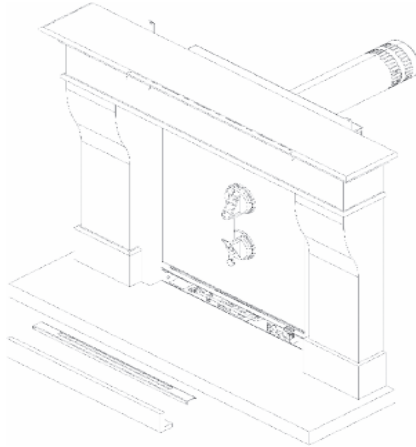
5.3.5.1 When the battery in the handset needs replacing, "BATT" will be displayed on the handset.

5.3.5.2 Remove the cover on the rear of the handset and replace the 3 off AAA batteries as necessary.

## 5.4 REMOVAL / RE-FITTING THE GLASS FRAME ASSEMBLY

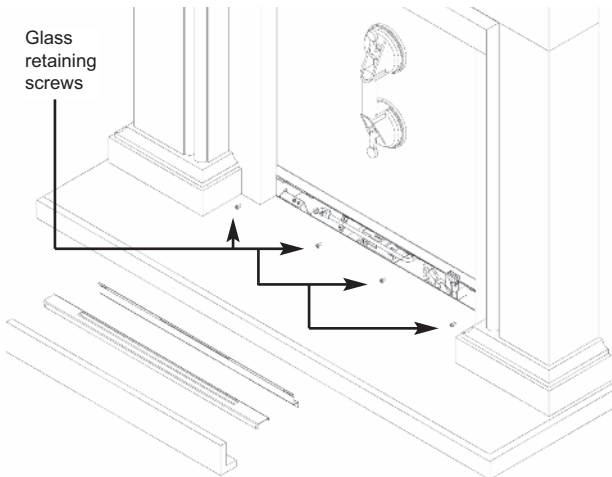
- 5.4.1 Remove the glass panel by firstly affixing the glass clamp to the glass panel as shown below in figure 9.

**Fig. 9**



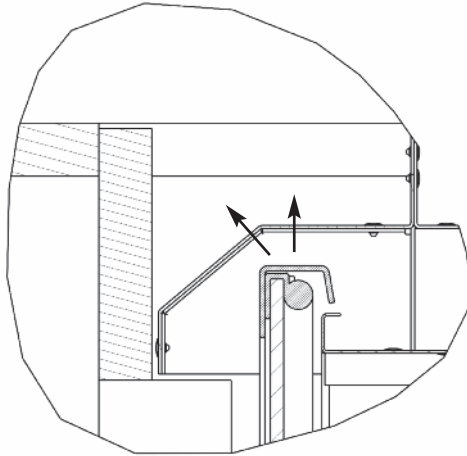
- 5.4.2 Remove 5 off screws which hold the lower retaining bracket in position. Remove the 4 off glass frame retaining screws as shown in figure 14 below. (Images shown with surround installed, please install firebox before surround).

**Fig. 10**



- 5.4.3 Unhook the glass panel from the top retaining channel by lifting upwards then tilt the top edge of the glass assembly towards you as shown below in figure 11 (sectional view through product for clarity).

**Fig. 11**



- 5.4.3 Remove the glass frame assembly by sliding to the left until the right hand edge of the glass frame can be released from behind the right hand leg of the surround as shown below in figure 12 and overpage in figure 13.

**Fig. 12**

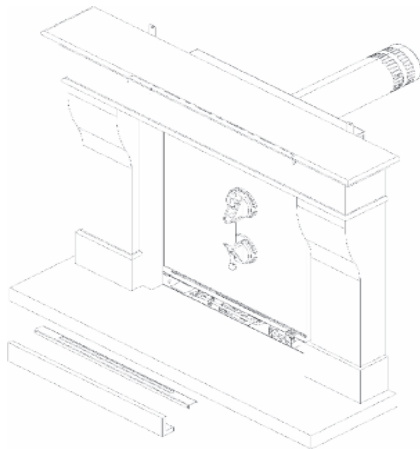
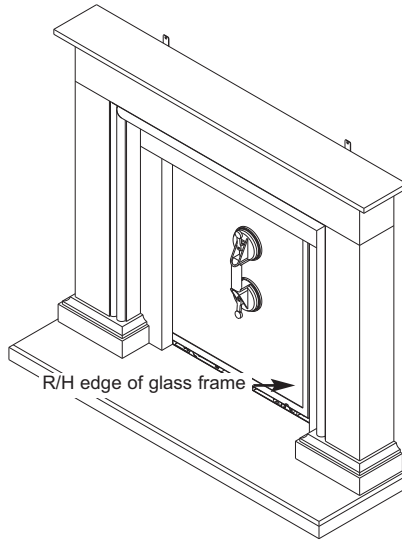


Fig. 13



5.4.4 Store the glass frame assembly in a safe place.

5.4.5 Re-assemble in reverse order when re-fitting the glass assembly.

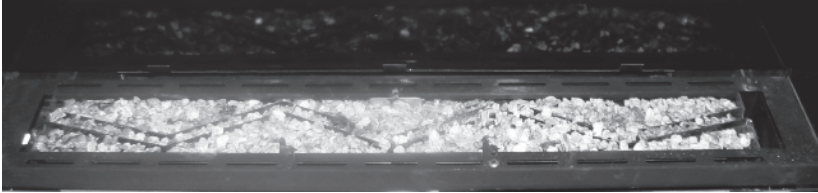
**Ensure that the glass assembly is correctly located on the top flange of the combustion chamber, this can be achieved by putting your hand onto the top edge of the glass frame inside the convection air aperture and pushing down firmly to check the glass frame is correctly located.**

**DO NOT OPERATE THE FIRE WITHOUT THE GLASS FRAME ASSEMBLY IN POSITION OR NOT CORRECTLY LOCATED.**

## 5.5 RE-LAYING THE FUEL-BED

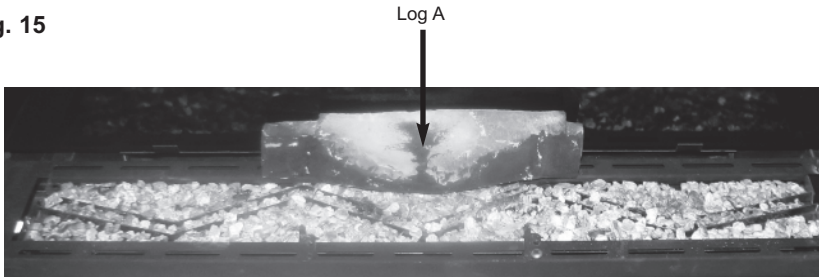
- 5.5.1 Lay an even layer of vermiculite material across the burner tray as shown below in figure 14.

**Fig. 14**



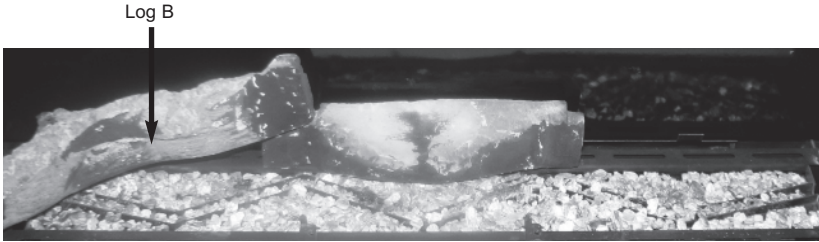
- 5.5.2 Place log "A" in a central position as shown below in figure 15, using the location hole on the base of the log to position in line with the location peg on the burner.

**Fig. 15**



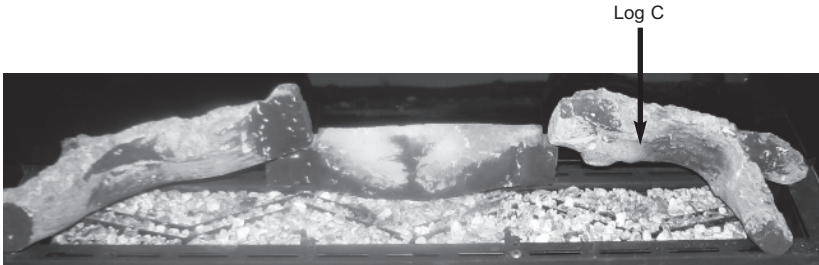
5.5.3 Place log “B” in position at the left hand side of the burner as shown below in figure 27, using the cut out on the left hand side of log “A” as a guide for placement and the locating lug at the LHS of the fuel tray.

**Fig. 16**



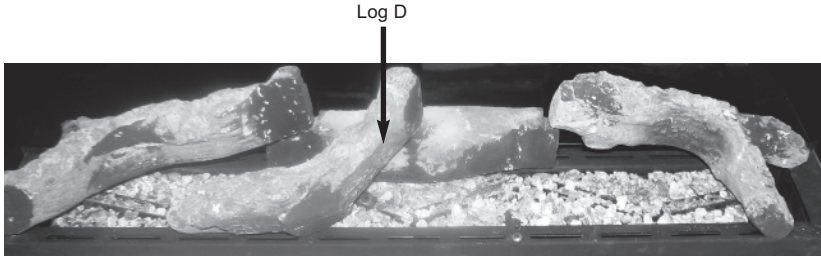
5.5.4 Place log “C” in position at the right hand side of the burner as shown below in figure 17, using the cut-out on the right hand side of log “A” as guide for placement.

**Fig. 17**



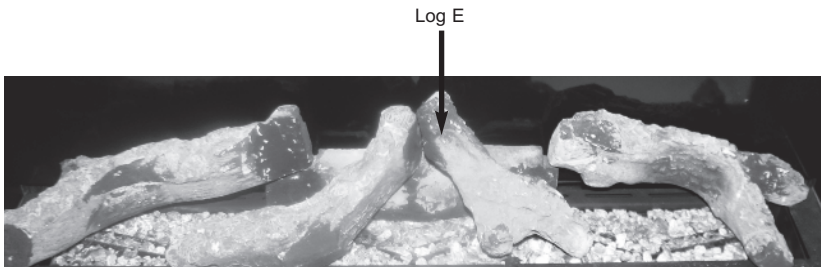
5.5.5 Place log “D” in position at the centre left hand side of the burner as shown below in figure 18, using the locating peg at the front of the burner and positioning on log “A” as shown.

**Fig. 18**



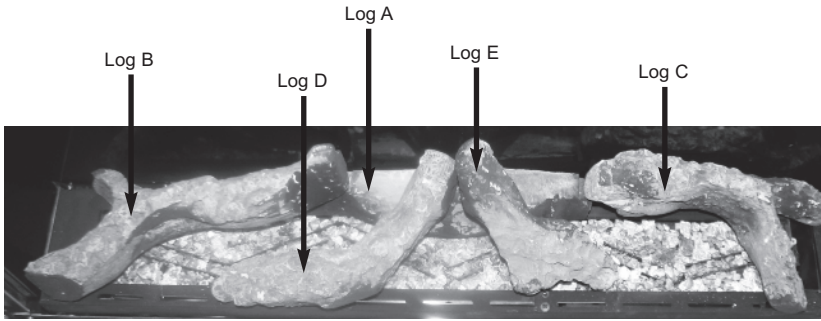
5.5.6 Place log “E” in position at the centre right hand side of the burner as shown below in figure 19, using the locating peg at the front of the burner and positioning on log “A” as shown.

**Fig. 19**



5.5.7 As a final check ensure that the logs are layed correctly as shown below in figure 20.

Fig. 20



5.5.8 If required fit the embaglow material over the flame ports. To do this seperate into short strands and place randomly over the flame porting area as indicated by the arrows below in figure 21. **This material is only supplied to improve flame aesthetics and is optional to install.**

Fig. 21





5.5.9 Re-fit the glass frame assembly before proceeding.

**Warning : Use only the log fuel-bed supplied with the fire. When replacing the log fuel-bed remove the old log fuel-bed and discard it. Fit a complete log fuel-bed from the manufacturer, only use genuine replacements.**

### **THE FOLLOWING STATEMENT IS APPLICABLE TO ALL FUEL-BED TYPES**

This appliance uses fuel effect pieces containing Refractory Ceramic Fibres (R.C.F.), which are man-made vitreous silicate fibres. Excessive exposure to these materials may cause temporary irritation to eyes, skin and respiratory tract. Consequently, it makes sense to take care when handling these articles to ensure that the release of dust is kept to a minimum. To ensure that the release of fibres from these R.C.F. articles is kept to a minimum, during installation & servicing we recommend that you use a HEPA filtered vacuum to remove any dust and soot accumulated in and around the fire, before and after working on the fire. When replacing these articles we recommend that the replaced items are not broken up, but are sealed within a heavy duty polythene bag, clearly labelled as “RCF waste”. This is not classified as “hazardous waste” and may be disposed of at a tipping site licensed for the disposal of industrial waste. Protective clothing is not required when handling these articles, but we do recommend you follow the normal hygiene rules of not smoking, eating or drinking in the work area, and always wash your hands before eating or drinking.

**This appliance does not contain any component manufactured from asbestos or asbestos related products.**

## **5.6 CLEANING - WARNING**

Before attempting any cleaning operation ensure that the fire has been allowed to fully cool. Black painted metal parts should be gently cleaned with a damp cloth.

This product is equipped with non-reflective glass which must be cleaned as follows or irreparable damage to the coating on the glass panel will occur. The manufacturers warranty will not cover damage by incorrect cleaning methods.

DO NOT USE ceramic glass cleaning agents.  
DO NOT USE sharp objects or blades to remove marks.  
DO NOT USE dry cloths or wipes.

DO USE normal glass cleaner such as “Sidolin”.  
DO USE soft glass wipes.  
DO USE damp cloths.

**PLEASE NOTE** :- The glass will require cleaning periodically. Condensation produced by the products of combustion will create marks on the inside face of the glass panel.

## CLEANING THE FUELBED

We do not recommend cleaning of the logs or fuelbed components as these are fragile and damage may result. **None of these parts must be washed or exposed to any cleaning agents or water.** Any damaged parts must be replaced by contacting your dealer or telephoning BFM Europe Ltd. on the number stated on the rear cover of this book. The log fuel-bed must only be replaced with a complete and genuine replacement item and the fire must never be run with a damaged item. The fuel-bed must be carefully fitted as stated in section 5.5

### 5.7 User replaceable parts

The only user replaceable parts on this fire are the fuelbed components and logs which may be replaced as described in the above section. Replacement of any other parts must be carried out by a competent person such as a GAS SAFE registered gas installer. The part numbers of the user replaceable parts are as follows, these are available from BFM Europe Ltd. who may be contacted at the number on the rear cover of this book.

Glass frame assembly	1177-179340
Complete log set	B-182450
Log "A" only	B-184680
Log "B" only	B-184690
Log "C" only	B-184700
Log "D" only	B-184710
Log "E" only	B-184720
Emba-glow material	B-120070
Bag of vermiculite	CV-107116
Handset wall bracket	B-157850

Due to our policy of continual improvement and development the exact accuracy of descriptions and illustrations cannot be guaranteed.

Part No. B-1004691  
Issue 1

# The Collection

by MICHAEL MILLER

BFM Europe Ltd.  
Trentham Lakes  
Stoke-on-Trent  
Staffordshire  
ST4 4TJ

[www.bfm-europe.com](http://www.bfm-europe.com)

**Telephone - General Enquiries :**  
**Telephone - Service :**

**(01782) 339000**  
**(01782) 339008**