



MIDNIGHT EDITION

PREMIUM ELECTRIC FIRES 2026



SHOWROOM EXCLUSIVE



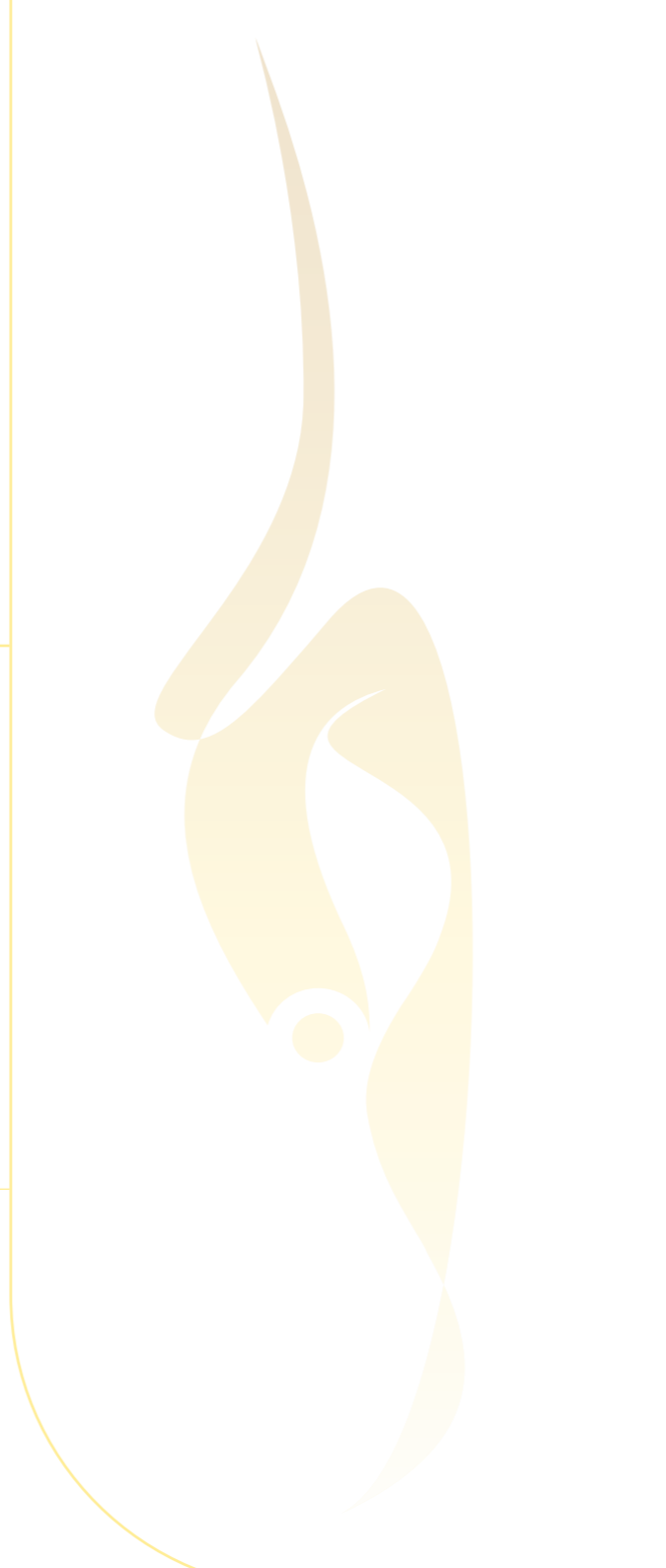


WELCOME TO CELSI



At Celsi we know how important it is to create a stylish and relaxing living environment. That's why we've developed this collection of premium electric fires.

This brochure has been designed to make the purchase of your new Celsi fire as simple as possible. I hope you find it both informative and inspiring.



SHOWROOM EXCLUSIVE

Celsi products provide all the warmth, comfort, and style to be expected from high-performance electric fires. Our showroom network of independent retailers is exclusively selected to display our products. These highly experienced retailers can demonstrate all the features and benefits of owning a Celsi fire.

A retailer can provide guidance for your individual requirements, and assist you with choosing and installing the most appropriate model for your home. We want you to experience the very best product performance, customer care, and service satisfaction that we believe you will find from our Celsi retailers.

PEACE OF MIND ASSURANCE



We believe our success stems from a combination of innovative design, investment in technology and the highest quality manufacturing standards.



All DLX fires carry a 5 year warranty, subject to terms and conditions.



Ultiflame Ultra/VR, Electriflame VR, and Electristove VR/XD products carry a 3 year warranty, subject to terms and conditions.

Fire Surrounds and Fascias are subject to 12 months warranty.



EFFORTLESS WARMTH, CAPTIVATING STYLE.

Experience the next generation of electric fires with Electriflame DLX. Through design innovation and precision engineering Celsi have captured every natural element and characteristic that embodies fire. This has been stunningly reproduced and encased behind safe-to-touch sleek glass walls.

CONTENTS

MIDNIGHT EDITION	6
CELSI SMART	7
ADVANCED FUNCTIONALITY	8-9
ART OF TRANSFORMATION	10-11
FUELBED CHOICE	12-13

FIRES

3-SIDED MEDIA WALL	14-28
WALL	29-43
HEARTH	44-57

SUITES

MEDIA WALLS	58-61
FREE STANDING	62-71
INSET LIMESTONE	72-77

STOVES

DESIGNER	78-81
ESSENTIAL	82-87

DIMENSIONS	88-101
------------	--------

DLX MIDNIGHT EDITION

IMMERSIVE FLAME EXPERIENCE

Introducing The Midnight Edition, a visual triumph and an exclusive standard feature on every DLX 3-Sided Media Wall Fire, marking the ultimate evolution in electric fireplace realism. Engineered using specialised rear screen dark glass, this premium feature maximises contrast, intensifying the dynamic flame visuals and making our signature fuel bed more vibrant than ever before. The result is a truly immersive viewing experience that anchors your media wall with unmatched sophistication and depth.



AR MIDNIGHT EDITION + AR
ANTI-REFLECTIVE GLASS

For those who demand absolute perfection, elevate the Midnight Edition by pairing it with our innovative Anti-Reflective Glass. This optional premium upgrade utilises an invisible, high-performance coating to the front and side glass panels, engineered to maximise light transmission and subtly minimise visual distraction. This masterful clarity delivers an unprecedented, distortion-free panorama of the textured logs and glowing embers. It fundamentally enriches the flame effect, producing a striking visual sharpness and mesmerising depth of colour that makes the DLX fire truly breathtaking in its vibrancy.



CELSI SMART



COLOUR

Cutting-edge, multi-point LED lighting creates a remarkably lifelike illusion of glowing embers and natural burning logs. Vibrant Soul? Switch to 'Animation Mode' for an automated, hypnotic journey through every hue, a truly spellbinding encounter. Personalise your ambience with 16 pre-set tones, or take full command to customise the glow of your flames, logs, and ember bed.

CONNECTIVITY

Get connected with our feature-rich and simple to operate CELSI Smart App. Available to download on the App Store, or get in on Google Play!

CONTROL

Control your fire from your smart phone or tablet with full handset functionality.



Further applied smart technology allows you to voice activate your fire using Amazon Alexa and Google Assistant.

Scan the QR code to download our App.



Celsi Smart app control

ADVANCED FUNCTIONALITY

Experience the warmth and ambiance of a DLX fire all year round, effortlessly operated to suit even the busiest lifestyles. When it's time for comfort and relaxation our premium heating system quietly emits warm air, letting you enjoy beautiful flames in peace with minimal operational noise.

One of many advanced features in our DLX fires is ISOFLAME, which allows independent flame operation when no heat is required. Celsi integrates the finest industry-designed features, ensuring optimal energy-saving performance and assurance. Please take a moment to explore our Advanced Features section.



Minimal operational noise. Quiet warmth, complete control.

OPTIMAL ENERGY SAVING PERFORMANCE AND ASSURANCE

Our fires are built with high quality low energy consumption LEDs that provide incredible flame brightness and colour saturation, whilst maintaining sensible and economical energy use.



THERMOSTATIC HEATING

Pre-set your heat comfort level for automatic temperature control via the handset.



TIMER FUNCTION

Programmable 7-day heating timer with hourly on/off control.



LED EFFICIENCY

Advanced lighting is used throughout our product. Our onboard LED's ensure effective energy saving low power consumption.



ISOFLAME

Independent flame effect capable of displaying in isolation when no heat is required from the appliance.



COLOUR SMART

16 colour vibrant presets with 100+ options to customise the light ambience on flames, logs, and ember bed.



FLAME SPEED

Controlable flame speed. Customize the intensity and movement of the flames to perfectly match your desired mood and setting.



Celsi Smart handset.



Compliance with Electrical Energy Rated Product (ERP)



Conformity assessed and certified UK & EU

ART OF TRANSFORMATION

3-SIDED GLASS

Our large format fires have the power to transform any room, regardless of size. Whether you're adding one of our on-trend media wall units or renovating an existing space, we offer five product sizes, with our largest model measuring an impressive 2 meters.

CONFIGURATION

Achieve desirable results with flexible installation options. Fires are supplied with side blanking panels, allowing you to customize your view:

3-sided glass: 180-degree view

2-sided glass: Left or right corner view

1-sided glass: Front view wall inset

For expert advice and to explore tailored installation options, visit a Celsi showroom. Our knowledgeable retailers can provide guidance and demonstrate the full product range, helping you make the perfect choice.



3-sided glass, 180-degree view



2-sided glass, left or right corner view



1-sided glass, front view wall inset

MEDIA WALL LIGHTING

Enhance your media wall with ambient LED mood lighting. Installed around the wall, it perfectly complements your fireplace, adding a stylish touch and making your entertainment area truly captivating.

For expert advice on integrating this ambient lighting with your design, visit your nearest Celsi retailer for tailored guidance.



FIRE TO TV SIZE

Finding the right balance between fire and TV size is key when designing a Media wall. As televisions have grown larger, so have our fireplaces. Large TVs are often mounted or inset above the fireplace, raising the question: what sizes work best together?

To help, we offer a 'recommended size guide' based on a 16:9 aspect ratio, that takes the diagonal TV measurement into account. This guide ensures the fireplace is slightly wider than the TV, creating a balanced and visually pleasing result for your space. It's always best to measure the space of the overall room size and consider your personal preferences before making a final decision.

Fire size	TV Diagonal	TV Width
Millimetres	Inches	Millimetres
DLX 1000	(48)	1073
DLX 1250	(55)	1228
DLX 1600	(65)	1449
DLX 1800	(75)	1676
DLX 2000	(85)	1893

NATURAL OAK LOGS

DLX fires combine sensational flame effects with genuine oak logs, each split to reveal the unique character of the oak. Chosen for its deep rich color and distinctive textured bark, hardwood oak provides a beautiful natural finish for these premium electric fires.

ARTISAN OAK

Our fuelbeds are meticulously handcrafted by skilled artisans who split and sculpt high-quality oak. They then selectively flame-char the logs and chippings to develop an authentic wood-burning character.

These customisable log-sets are carefully wrapped, individually referenced, and include an easy-to-follow layout plan before leaving our UK factory, ensuring a simple and efficient installation solution.

Our genuine oak logs deliver an authentic fire experience: stunning when powered on, and naturally pleasing when off.



ELECTRIFLAME® DLX

100% – Natural Authentic Oak



Natural oak is available for all 3-sided DLX models, and come complete with a simple to follow layout guide, fully supported with instructional demonstration videos.



Retaining character



Attention to detail



Log charring aesthetics

Patented technologies bring new dimensions to the electric fire market as fuel bed and flames merge together in a living fire effect that blurs the line between reality and illusion. Cutting-edge technology replicates the natural flicker, color, and movement of real flames. This creates an authentic fire experience, the effects are astonishing, and are at the forefront of our premium electric fires.

WOODLAND EFFECT LOGS



Blurring the lines between reality and illusion with naturally detailed woodland effect logs. Woodland ceramic logs come complete with a simple to follow layout guide, fully supported with instructional demonstration videos on large format fires.



Natural bark chippings with all large format fires.

PATENTED TECHNOLOGIES

Multi Flame Projection®

Living Ember Bed®

DLX
DEFINED BY EXCELLENCE

DLX 2000

MIDNIGHT EDITION

Electriflame Media Wall Fire

The ultimate evolution in electric fireplace realism, the Midnight Edition is engineered to maximise contrast, making our signature fuel bed and dynamic flame visuals more vibrant than ever before. The Midnight Edition transforms the DLX fire experience, elevating its refinement to a new standard of luxury, and is exclusively crafted into every DLX Media Wall Fire.

Features

- 3-Sided Glass Fronted Fire
- Midnight Edition Dark Rear Glass
- Multi Flame Projection Technology®
- Living Ember Bed Technology®
- Flame Speed Control
- Premium Oak Logs or Woodland Effect Logs
- Bark chippings
- 16 pre-set colours/100+ custom/Animation mode
- LED brightness control
- Thermostatic remote & manual control operation
- CELSI App controllable. iOS & Android
- Amazon Alexa and Google Assistant compatible
- Side blanking for 2 & 1 sided installations

Optional

- Anti-Reflective Glass



CELSI SMART APP

Feature-rich and simple to operate. Control your fire from your smart phone or tablet with full handset functionality.



ANTI-REFLECTIVE
GLASS COMPATIBLE

3-sided glass installation. Premium Oak Logs Woodland Effect Logs page 13.

Specification

Fire Box Dimensions: mm	H 617 x W 2028 x D 340		
Heat Output	1.0kW – 2.0kW		
	Glass Option		
Model Number		Anti-Reflective	Standard
	Premium Oak	EDXB20RE-ARG	EDXB20RE
	Woodland Effect	EDXL20RE-ARG	EDXL20RE



Premium Oak



Woodland Effect



ANTI-REFLECTIVE
GLASS COMPATIBLE



DLX 1800

MIDNIGHT EDITION

Electriflame Media Wall Fire

Defined by its dramatic contrast and Rear Dark Glass, the Midnight Edition transforms the flame effect into a stunning, three-dimensional spectacle. Prepare to be captivated by the deepest, most realistic flame experience ever created by Celsi.

Features

- 3-Sided Glass Fronted Fire
- Midnight Edition Dark Rear Glass
- Multi Flame Projection Technology®
- Living Ember Bed Technology®
- Flame Speed Control
- Premium Oak Logs or Woodland Effect Logs
- Bark chippings
- 16 pre-set colours/100+ custom/Animation mode
- LED brightness control
- Thermostatic remote & manual control operation
- CELSI App controllable. iOS & Android
- Amazon Alexa and Google Assistant compatible
- Side blanking for 2 & 1 sided installations

Optional

- Anti-Reflective Glass



CELSI SMART APP

Feature-rich and simple to operate. Control your fire from your smart phone or tablet with full handset functionality.



1-sided glass installation. Premium Oak Logs

Woodland Effect Logs page 13.



Premium Oak



Woodland Effect

Specification

Fire Box Dimensions: mm	H 617 x W 1828 x D 340		
Heat Output	1.0kW – 2.0kW	Glass Option	
		Anti-Reflective	Standard
Model Number	Premium Oak	EDXB18RE-ARG	EDXB18RE
	Woodland Effect	EDXL18RE-ARG	EDXL18RE



ANTI-REFLECTIVE
GLASS COMPATIBLE



DLX 1600

MIDNIGHT EDITION

Electriflame Media Wall Fire

Midnight Edition is a visual triumph with an immersive flame experience. This premium feature comes standard on all DLX Media Wall 3-Sided Fires, setting an unmatched bar for sophistication and depth.

Features

- 3-Sided Glass Fronted Fire
- Midnight Edition Dark Rear Glass
- Multi Flame Projection Technology®
- Living Ember Bed Technology®
- Flame Speed Control
- Premium Oak Logs or Woodland Effect Logs
- Bark chippings
- 16 pre-set colours/100+ custom/Animation mode
- LED brightness control
- Thermostatic remote & manual control operation
- CELSI App controllable. iOS & Android
- Amazon Alexa and Google Assistant compatible
- Side blanking for 2 & 1 sided installations

Optional

- Anti-Reflective Glass



CELSI SMART APP

Feature-rich and simple to operate. Control your fire from your smart phone or tablet with full handset functionality.



3-sided glass installation. Premium Oak Logs

Ceramic Logs page 13.



Premium Oak



Woodland Effect

Specification

Fire Box Dimensions: mm	H 617 x W 1628 x D 340		
Heat Output	1.0kW – 2.0kW	Glass Option	
		Anti-Reflective	Standard
Model Number	Premium Oak	EDXB16RE-ARG	EDXB16RE
	Woodland Effect	EDXL16RE-ARG	EDXL16RE



ANTI-REFLECTIVE
GLASS COMPATIBLE



DLX 1250

MIDNIGHT EDITION

Electriflame Media Wall Fire

Experience fire visuals like never before. The Midnight Edition is a unique combination of a Rear Dark Glass panel engineered to maximize contrast and enhance the fuelbed. The result is a profound sense of depth and vibrancy, allowing the mesmerising flame colours to truly take centre stage.

Features

- 3-Sided Glass Fronted Fire
- Midnight Edition Dark Rear Glass
- Multi Flame Projection Technology®
- Living Ember Bed Technology®
- Flame Speed Control
- Premium Oak Logs or Woodland Effect Logs
- Bark chippings
- 16 pre-set colours/100+ custom/Animation mode
- LED brightness control
- Thermostatic remote & manual control operation
- CELSI App controllable. iOS & Android
- Amazon Alexa and Google Assistant compatible
- Side blanking for 2 & 1 sided installations

Optional

- Anti-Reflective Glass



THERMO-
STATIC



7 DAY
TIMER



ENERGY
SAVING



ISO
FLAME



COLOUR
SMART



FLAME
SPEED



REAL
WOOD



CELSI SMART APP

Feature-rich and simple to operate. Control your fire from your smart phone or tablet with full handset functionality.



3-sided glass installation. Premium Oak Logs

Woodland Effect Logs page 13.



Premium
Oak



Woodland
Effect

Specification

Fire Box Dimensions: mm	H 617 x W 1278 x D 340		
Heat Output	1.0kW – 2.0kW	Glass Option	
		Anti-Reflective	Standard
Model Number	Premium Oak	EDXB12RE-ARG	EDXB12RE
	Woodland Effect	EDXL12RE-ARG	EDXL12RE



DLX 1000

MIDNIGHT EDITION

Electriflame Media Wall Fire

With the Midnight Edition, the DLX fire experience achieves its pinnacle of performance, a full luxury experience built-in. However, to truly reach the apex of clarity, we offer the optional Anti-reflective glass, to see every flame with crystalline clarity,

Features

- 3-Sided Glass Fronted Fire
- Midnight Edition Dark Rear Glass
- Multi Flame Projection Technology®
- Living Ember Bed Technology®
- Flame Speed Control
- Premium Oak Logs
- Bark chippings
- 16 pre-set colours/100+ custom/Animation mode
- LED brightness control
- Thermostatic remote & manual control operation
- CELSI App controllable. iOS & Android
- Amazon Alexa and Google Assistant compatible
- Side blanking for 2 & 1 sided installations

Optional

- Anti-Reflective Glass



ANTI-REFLECTIVE
GLASS COMPATIBLE

3-sided glass installation. Premium Oak Logs



Video

Specification

Fire Box Dimensions: mm	H 617 x W 1032 x D 340		
Heat Output	1.0kW – 2.0kW	Glass Option	
		Anti-Reflective	Standard
Model Number	Premium Oak	EDXB10RE-ARG	EDXB10RE



CELSI SMART APP

Feature-rich and simple to operate. Control your fire from your smart phone or tablet with full handset functionality.





Commodus S1600

Electriflame VR 3 Sided Fire

Features

- 3-Sided Glass Fronted Fire
- Flame Projection Technology®
- Woodland Effect Logs
- Living Ember Effect
- 16 pre-set colours/100+ custom/Animation mode
- LED brightness control
- Thermostatic remote & manual control operation
- CELSI App controllable. iOS & Android
- Amazon Alexa and Google Assistant compatible
- Side blanking for 2 & 1 sided installations



Celsi Smart Fires have 16 pre-set ambient colour modes, and over 100+ multi colour combinations to customise the light ambience on flames, logs, and ember bed. To simplify your choice relax and enjoy a slow cycle through the colour spectrum in our fully immersive Animation mode.



CELSI SMART APP

Feature-rich and simple to operate. Control your fire from your smart phone or tablet with full handset functionality.

Specification

Visual Dimensions: mm	H 330 x W 1600 x D 150
Heat Output	0.8kW – 1.6kW
Model Number	EFVR16REB

2-sided glass corner installation



Video



Commodus S1250

Electriflame VR 3 Sided Fire

Features

- 3-Sided Glass Fronted Fire
- Flame Projection Technology®
- Woodland Effect Logs
- Living Embers Effect
- 16 pre-set colours/100+ custom/Animation mode
- LED brightness control
- Thermostatic remote & manual control operation
- CELSI App controllable. iOS & Android
- Amazon Alexa and Google Assistant compatible
- Side blanking for 2 & 1 sided installations



THERMO-STATIC



7 DAY TIMER



ENERGY SAVING



ISO FLAME



COLOUR SMART

Celsi Smart Fires have 16 pre-set ambient colour modes, and over 100+ multi colour combinations to customise the light ambience on flames, logs, and ember bed. To simplify your choice relax and enjoy a slow cycle through the colour spectrum in our fully immersive Animation mode.



CELSI SMART APP

Feature-rich and simple to operate. Control your fire from your smart phone or tablet with full handset functionality.

Specification

Visual Dimensions: mm	H 330 x W 1250 x D 150
Heat Output	0.8kW – 1.6kW
Model Number	EFVR12REB

1-sided glass installation



Video

Commodus S1000

Electrifiame VR 3 Sided Fire



3-sided glass installation



Video

Specification

Visual Dimensions: mm	H 330 x W 1000 x D 150
Fascia Dimensions: mm	H 540 x W 1200 x D 19
Heat Output	0.8kW – 1.6kW
Model Number	S1000 - EFVR10RE S1000 + Fascia - EFVR10RE070

Commodus S1000 + Fascia

Electrifiame VR Wall Inset Fire



Wall inset with Black Nickel & Black metallic fascia



Video



CELSI SMART APP

Feature-rich and simple to operate. Control your fire from your smart phone or tablet with full handset functionality.

Features

- 3-Sided Glass Fronted Fire
- Flame Projection Technology®
- Woodland Effect Logs
- Living Embers Effect
- 16 pre-set colours/100+ custom/Animation mode
- LED brightness control
- Thermostatic remote & manual control operation
- CELSI App controllable. iOS & Android
- Amazon Alexa and Google Assistant compatible
- Side blanking for 2 & 1 sided installations



Celsi Smart Fires have 16 pre-set ambient colour modes, and over 100+ multi colour combinations to customise the light ambience on flames, logs, and ember bed. To simplify your choice relax and enjoy a slow cycle through the colour spectrum in our fully immersive Animation mode.





Rosetta S1250/S1000

Electriflame VR Wall Mounted Fire

Transform your living space into a haven of warmth and style with our electric wall-mounted fire, where the fascia itself takes center stage. Manufactured using Premium Egger boards with a sophisticated Cupria Slate finish, this striking wall-mounted fascia provides the perfect solution for the reimagined traditional log fire experience. Our slimline electric fire features Flame Projection Technology, creating naturally rising flames from burning logs. Customise and arrange your fire the way you like it with the woodland effect logs and living ash embers. Choose a completely natural fire appearance, or go with full-color spectrum with 16 immersive presets and animation mode.

Features

- Glass Fronted Fire
- Premier board fascia
- Flame Projection Technology®
- Woodland Effect Logs
- Living Embers Effect
- 16 pre-set colours/100+ custom/Animation mode
- LED brightness control
- Thermostatic remote & manual control operation
- CELSI App controllable. iOS & Android
- Amazon Alexa and Google Assistant compatible
- Includes wall fixing bracket

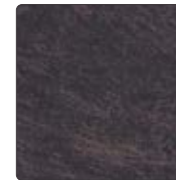
Rosetta S1250



S1250



S1000



Cupria Slate

Specification

Dimensions: mm	(S1250) H 605 x W 1560 x D 222 (S1000) H 605 x W 1310 x D 222
Heat Output	0.8kW – 1.6kW
Model Number	S1250 - EFVR12RE-FCS S1000 - EFVR10RE-FCS



CELSI SMART APP

Feature-rich and simple to operate. Control your fire from your smart phone or tablet with full handset functionality.



THERMOSTATIC



7 DAY TIMER



ENERGY SAVING



ISO FLAME



COLOUR SMART



Premium Oak Logs



Premium Oak

Specification

Fire Box Dimensions: mm	H 679 x W 870 x D 197 (182 inset)
Heat Output	0.8kW – 1.5kW
Model Number	Premium Oak EDLXALRE-750R Woodland Ceramic EDLXALRE-750

DLX 750

Electriflame DLX Wall Inset Fire

Features

- Glass Fronted Fire
- Multi Flame Projection Technology®
- Living Ember Bed Technology®
- Flame Speed Control
- Premium Oak Logs or Woodland Effect Logs
- 16 pre-set colours/100+ custom/Animation mode
- LED brightness control
- Thermostatic remote & manual control operation
- CELSI App controllable. iOS & Android
- Amazon Alexa and Google Assistant compatible



Woodland Effect Logs



Woodland Effect



CELSI SMART APP

Feature-rich and simple to operate. Control your fire from your smart phone or tablet with full handset functionality.



Celsi Smart Fires have 16 pre-set ambient colour modes, and over 100+ multi colour combinations to customise the light ambience on flames, logs, and ember bed. To simplify your choice relax and enjoy a slow cycle through the colour spectrum in our fully immersive Animation mode.



Black Nickel & Black. Premium Oak Logs



Premium Oak

Specification

Fascia Dimensions: mm	H 683 x W 963 x D 21		
Heat Output	0.8kW – 1.5kW		
Model Number	Fascia	Premium Oak	Woodland Effect
	Black Nickel & Black	CEULALRE-BNBR	CEULALRE-BNB
	Black Nickel & Chrome	CEULALRE-BNCR	CEULALRE-BNC



Black Nickel & Chrome. Woodland Effect Logs



Woodland Effect

DLX Vader 750

Electriflame DLX Wall Inset Fire

Features

- Glass Fronted Fire
- Multi Flame Projection Technology®
- Living Ember Bed Technology®
- Flame Speed Control
- Premium Oak Logs or Woodland Effect Logs
- 16 pre-set colours/100+ custom/Animation mode
- LED brightness control
- Thermostatic remote & manual control operation
- CELSI App controllable. iOS & Android
- Amazon Alexa and Google Assistant compatible



Celsi Smart Fires have 16 pre-set ambient colour modes, and over 100+ multi colour combinations to customise the light ambience on flames, logs, and ember bed. To simplify your choice relax and enjoy a slow cycle through the colour spectrum in our fully immersive Animation mode.



CELSI SMART APP

Feature-rich and simple to operate. Control your fire from your smart phone or tablet with full handset functionality.





Premium Oak Logs



Premium Oak

Specification

Fire Box Dimensions: mm	H 759 x W 670 x D 197 (182 inset)
Heat Output	0.8kW – 1.5kW
Model Number	Premium Oak EDLXASRE-6XTR Woodland Effect EDLXASRE-6XT

DLX 600XT

Electriflame DLX Wall Inset Fire

Features

- Glass Fronted Fire
- Multi Flame Projection Technology®
- Living Ember Bed Technology®
- Flame Speed Control
- Premium Oak Logs or Woodland Effect Logs
- 16 pre-set colours/100+ custom/Animation mode
- LED brightness control
- Thermostatic remote & manual control operation
- CELSI App controllable. iOS & Android
- Amazon Alexa and Google Assistant compatible



Woodland Effect Logs



Woodland Effect



Celsi Smart Fires have 16 pre-set ambient colour modes, and over 100+ multi colour combinations to customise the light ambience on flames, logs, and ember bed. To simplify your choice relax and enjoy a slow cycle through the colour spectrum in our fully immersive Animation mode.



CELSI SMART APP

Feature-rich and simple to operate. Control your fire from your smart phone or tablet with full handset functionality.





Black Nickel & Chrome. Premium Oak



Premium Oak

Specification

Fascia Dimensions: mm	H 768 x W 762 x D 19
Heat Output	0.8kW – 1.5kW
Model Number	Premium Oak CEULASRE-FASR Woodland Effect CEULASRE-FAS



Black Nickel & Chrome. Woodland Effect Logs



Woodland Effect

DLX Evora 600XT

Electriflame DLX Wall Inset Fire

Features

- Glass Fronted Fire
- Multi Flame Projection Technology®
- Living Ember Bed Technology®
- Flame Speed Control
- Premium Oak Logs or Woodland Effect Logs
- 16 pre-set colours/100+ custom/Animation mode
- LED brightness control
- Thermostatic remote & manual control operation
- CELSI App controllable. iOS & Android
- Amazon Alexa and Google Assistant compatible



Celsi Smart Fires have 16 pre-set ambient colour modes, and over 100+ multi colour combinations to customise the light ambience on flames, logs, and ember bed. To simplify your choice relax and enjoy a slow cycle through the colour spectrum in our fully immersive Animation mode.



CELSI SMART APP
Feature-rich and simple to operate. Control your fire from your smart phone or tablet with full handset functionality.





Premium Oak Logs.



Premium Oak

Specification

Fire Box Dimensions: mm	H 645 x W 606 x D 198 (183 inset)
Heat Output	0.8kW – 1.5kW
Model Number	Premium Oak EDLX22RE-600R
	Woodland Effect EDLX22RE-600



Woodland Effect Logs



Woodland Effect

DLX 600

Electriflame DLX Wall Inset Fire

Features

- Glass Fronted Fire
- Multi Flame Projection Technology®
- Living Ember Bed Technology®
- Flame Speed Control
- Premium Oak Logs or Woodland Effect Logs
- 16 pre-set colours/100+ custom/Animation mode
- LED brightness control
- Thermostatic remote & manual control operation
- CELSI App controllable. iOS & Android
- Amazon Alexa and Google Assistant compatible



Celsi Smart Fires have 16 pre-set ambient colour modes, and over 100+ multi colour combinations to customise the light ambience on flames, logs, and ember bed. To simplify your choice relax and enjoy a slow cycle through the colour spectrum in our fully immersive Animation mode.



CELSI SMART APP

Feature-rich and simple to operate. Control your fire from your smart phone or tablet with full handset functionality.





Satin Black. Premium Oak



Premium Oak

Specification

Fascia Dimensions: mm	H 742 x W 860 x D 60		
Heat Output	0.8kW – 1.5kW		
Model Number	Fascia	Premium Oak	Woodland Effect
	Satin Black	ED600-463R	ED600-463
	Satin Silver	ED600-972R	ED600-972

DLX Impulse 600

Electriflame DLX Wall Inset Fire

Features

- Glass Fronted Fire
- Multi Flame Projection Technology®
- Living Ember Bed Technology®
- Flame Speed Control
- Premium Oak Logs or Woodland Effect Logs
- 16 pre-set colours/100+ custom/Animation mode
- LED brightness control
- Thermostatic remote & manual control operation
- CELSI App controllable. iOS & Android
- Amazon Alexa and Google Assistant compatible



Satin Silver. Woodland Effect



Woodland Effect

Celsi Smart Fires have 16 pre-set ambient colour modes, and over 100+ multi colour combinations to customise the light ambience on flames, logs, and ember bed. To simplify your choice relax and enjoy a slow cycle through the colour spectrum in our fully immersive Animation mode.



CELSI SMART APP

Feature-rich and simple to operate. Control your fire from your smart phone or tablet with full handset functionality.





Features

- Glass Fronted Full Depth Fuelbed
- Multi Flame Projection Technology®
- Living Ember Bed Technology®
- Flame Speed Control
- Premium Oak Logs & Woodland Effect Logs
- 16 pre-set colours/100+ custom/Animation mode
- LED brightness control
- Thermostatic remote & manual control operation
- CELSI App controllable. iOS & Android
- Amazon Alexa and Google Assistant compatible

Optional

- Spacer Frame 1167-1003933A



Black Nickel & Black
Premium Oak Logs

DLX Olympus

Electrifiame DLX Hearth Inset Fire

DLX Olympus redefines the art of fire illusion. This full-depth, glass-fronted design captivates with a mesmerizing interplay of exciting flame effects, thanks to Multi Flame Projection® and Living Ember Bed® technology. Witness vibrant flames dancing above and around the log bed while a captivating glow emanates from beneath, mimicking the light brilliance of a real fire. Enjoy full-spectrum colors and effortless control via the feature handset, mobile phone, and tablet. Transforming your living space into a haven of warmth and ambiance.



Chrome & Satin Silver Woodland Effect Logs
Brass & Black
Black Nickel & Chrome

Specification

Fire Box Dimensions: mm	H 597 x W 493 x D 300 (275 inset)		
Fascia Dimensions: mm	H 600 x W 498 x D 45		
Heat Output	0.8kW – 1.5kW	Woodland Effect	Premium Oak
Model Number	Black Nickel & Black	EDLXBNRE	EDLXBNRE-986
	Black Nickel & Chrome	EDLXBCRE	EDLXBCRE-987
	Brass & Black	EDLXBBRE	EDLXBBRE-989
	Chrome & Silver	EDLXSCRE	EDLXSCRE-988

DLX Adonis

Electrifiame DLX Hearth Inset Fire

DLX Adonis showcases a curved cast iron fascia that compliments the depth of this fire. This glass-fronted design captivates with a mesmerizing interplay of exciting flame effects, thanks to Multi Flame Projection® and Living Ember Bed® technology. Vibrant flames dance above and around the log bed while a captivating glow emanates from beneath, mimicking the light brilliance of a real fire. Enjoy full-spectrum colors and effortless control via the feature handset, mobile phone, and tablet.



Woodland Effect Logs

Specification

Fire Box Dimensions: mm	H 597 x W 493 x D 300 (275 inset)
Fascia Dimensions: mm	H 606 x W 521 x D 104
Heat Output	0.8kW – 1.5kW
Model Number	Premium Oak EDLXADRE-674 Woodland Effect EDLXADRE



Features

- Glass Fronted Full Depth Fuelbed
- Multi Flame Projection Technology®
- Living Ember Bed Technology®
- Flame Speed Control
- Premium Oak Logs or Woodland Effect Logs
- 16 pre-set colours/100+ custom/Animation mode
- LED brightness control
- Thermostatic remote & manual control operation
- CELSI App controllable. iOS & Android
- Amazon Alexa and Google Assistant compatible

Optional

- Spacer Frame 1167-1003933A



Premium Oak Logs



Black Nickel & Black

Features

- Open Fronted Deep Fuelbed
- Multi Flame Projection Technology®
- Living Ember Bed Technology®
- Flame Speed Control
- Premium Oak Logs
- 16 pre-set colours/100+ custom/Animation mode
- LED brightness control
- Thermostatic remote & manual control operation
- CELSI App controllable. iOS & Android
- Amazon Alexa and Google Assistant compatible

Optional

- Spacer Frame 1167-1003933A



Ultra Autograph

Ultiflame Hearth Inset Fire

The Ultiflame Ultra redefines the electric fire experience, bringing the captivating charm of a deep and natural open fire into the modern home. Contemporary styling showcases a realistic deep fuel bed, mesmerizingly lifelike flames powered by Flame Projection® technology, and a captivating Living Ember Bed® that adds a glowing depth reminiscent of a real fire.

The Autograph fascia is crafted from high-quality steel and available in a range of exceptionally stylish metallic finishes.



Black Nickel & Chrome Brass & Black Rose Gold & Black

Specification

Fire Box Dimensions: mm	H 595 x W 488 x D 193 (70 inset)
Fascia Dimensions: mm	H 598 x W 500 x D 130
Heat Output	0.8kW – 1.5kW
Model Number	Black Nickel & Black CUULABRE-RGB Black Nickel & Chrome CUULACRE-RGB Brass & Black CUULATRE-RGB Rose Gold & Black CUULARRE-RGB

Ultra Camber

Ultiflame Hearth Inset Fire

Hand-finished, flame-scorched oak logs meticulously recreating the charm of a natural hearth fire. Experience the warmth and ambiance reimagined for modern living. Take complete control with the multi-functional handset or the simple-to-use Smart App, putting you in command of the perfect fire, from flame speed and full-spectrum colors to so much more.

The camber fascia offers exceptional style and quality, precision engineered from high-quality extruded aluminium, with available anodised colours of Satin Silver, Satin Champagne, or textured black paint finish.



Satin Champagne Textured Black

Specification

Fire Box Dimensions: mm	H 595 x W 488 x D 193 (70 inset)
Fascia Dimensions: mm	H 618 x W 538 x D 146
Heat Output	0.8kW – 1.5kW
Model Number	Satin Silver CUULWORE-RGB Satin Champagne CUULAORE-RGB Textured Black CUULBORE-RGB



Satin Silver

Features

- Open Fronted Deep Fuelbed
- Multi Flame Projection Technology®
- Living Ember Bed Technology®
- Flame Speed Control
- Premium Oak Logs
- 16 pre-set colours/100+ custom/Animation mode
- LED brightness control
- Thermostatic remote & manual control operation
- CELSI App controllable. iOS & Android
- Amazon Alexa and Google Assistant compatible

Optional

- Spacer Frame 1167-1003933A





Textured Black

Features

- Open Fronted Deep Fuelbed
- Multi Flame Projection Technology®
- Living Ember Bed Technology®
- Flame Speed Control
- Premium Oak Logs
- 16 pre-set colours/100+ custom/Animation mode
- LED brightness control
- Thermostatic remote & manual control operation
- CELSI App controllable. iOS & Android
- Amazon Alexa and Google Assistant compatible

Optional

- Spacer Frame 1167-1003933A



Ultra Essence

Ultiflame Hearth Inset Fire

Ultra Essence delivers lifelike flames powered by Flame Projection®, and Living Ember Bed® technology, adding glowing depth using energy saving full colour spectrum LEDs. Natural flame flicker and movement is achieved with sensations visual displays.

The high-quality steel fabricated fascia provides modern style aesthetics with a durable build. Colour options are available in Satin Silver, or textured black paint finish.



Satin Silver

Specification

Fire Box Dimensions: mm	H 595 x W 488 x D 193 (70 inset)
Fascia Dimensions: mm	H 625 x W 535 x D 125
Heat Output	0.8kW – 1.5kW
Model Number	Black Textured CUFLD2RE-RGB Satin Silver CUULDORE-RGB

Ultra Designer

Ultiflame Hearth Inset Fire

The Ultiflame Ultra reimagines the electric fire, bringing the delightful appeal of a deep, natural fire into modern homes. Its current design boasts a realistic deep fuel bed, strikingly lifelike flames via Flame Projection® technology, and an engaging Living Ember Bed® that adds a glowing depth like a real fire.

The high-quality steel fabricated fascia provides modern style aesthetics with a durable build. Colour options are available in Black Nickel & Chrome, or Chrome & Black finish.



Chrome & Black

Specification

Fire Box Dimensions: mm	H 595 x W 488 x D 193 (70 inset)
Fascia Dimensions: mm	H 598 x W 500 x D 120
Heat Output	0.8kW – 1.5kW
Model Number	Black Nickel & Chrome CUULDSRE-RGB Chrome & Black CUULCBRE-RGB



Black Nickel & Chrome

Features

- Open Fronted Deep Fuelbed
- Multi Flame Projection Technology®
- Living Ember Bed Technology®
- Flame Speed Control
- Premium Oak Logs
- 16 pre-set colours/100+ custom/Animation mode
- LED brightness control
- Thermostatic remote & manual control operation
- CELSI App controllable. iOS & Android
- Amazon Alexa and Google Assistant compatible

Optional

- Spacer Frame 1167-1003933A





Chrome & Black Nickel

Features

- Aspirational 26 inch fascia
- Glass Fronted Slimline Fuelbed
- Multi Flame Projection Technology®
- Living Ember Bed Technology®
- Flame Speed Control
- Premium Oak Logs
- 16 pre-set Flame colours/Animation mode
- LED brightness control
- Thermostatic remote & manual control operation
- CELSI App controllable. iOS & Android
- Amazon Alexa and Google Assistant compatible

Optional

- Spacer Frame 1167-1003933A



Ultra FX Acero

Ultiflame Hearth Inset Fire

The clear attraction with the Acero is its wider-than-average flame viewing area spanning over 17 inches. Complete with a 26 inch fascia, finished with mixed metallic options.

The Ultiflame Ultra FX creates a truly immersive experience. This glass-fronted fire features Flame Projection® for incredible flame realism. Genuine oak logs are carefully scorched for authenticity, completing the picture, and bringing the warmth and ambiance of a real fire to your home.



Chrome & Satin Silver

Specification

Fire Box Dimensions: mm	H 650 x W 648 x D 145 (75 inset)
Fascia Dimensions: mm	H 655 x W 657 x D 70
Heat Output	0.8kW – 1.5kW
Model Number	Chrome & Black Nickel CUUFABRE-RGB Chrome & Satin Silver CUUFASRE-RGB

Ultra FX Parrilla

Ultiflame Hearth Inset Fire

The Parrilla comes complete with a wider than average flame viewing area spanning over 17 inches, plus an attractive three-bar brushed Satin fascia, making this electric fire the perfect choice for stylish homes with modern interiors.

The Ultiflame Ultra FX creates a truly immersive experience. This glass-fronted fire features Flame Projection® for incredible flame realism. Genuine oak logs are carefully scorched for authenticity, completing the picture, and bringing the warmth and ambiance of a real fire to your home.



Sitin Silver

Specification

Inset Box Dimension: mm	H 599 x W 539 x D 145 (75 inset)
Fascia Dimensions: mm	H 600 x W 545 x D 97
Heat Output	0.8kW – 1.5kW
Model Number	Satin Silver CUUFPSRE-RGB Satin Champagne CUUFPCRE-RGB



Satin Champagne

Features

- Glass Fronted Slimline Fuelbed
- Multi Flame Projection Technology®
- Living Ember Bed Technology®
- Flame Speed Control
- Premium Oak Logs
- 16 pre-set Flame colours/Animation mode
- LED brightness control
- Thermostatic remote & manual control operation
- CELSI App controllable. iOS & Android
- Amazon Alexa and Google Assistant compatible

Optional

- Spacer Frame 1167-1003933A





Rose Gold & Black

Features

- Glass Fronted Slimline Fuelbed
- Multi Flame Projection Technology®
- Living Ember Bed Technology®
- Flame Speed Control
- Premium Oak Logs
- 16 pre-set Flame/Ember colours/Animation mode
- LED brightness control
- Thermostatic remote & manual control operation
- CELSI App controllable. iOS & Android
- Amazon Alexa and Google Assistant compatible

Optional

- Spacer Frame 1167-1003933A



Ultra SL Autograph

Ultiflame Hearth Inset Fire

The Autograph fascia is crafted from high-quality steel and available in a range of exceptionally stylish metallic finishes.

Experience modern elegance and slimline design with the Ultiflame Ultra SL electric fire. Its sleek, glass-fronted design complements any contemporary décor, while the slimline profile makes it perfect for any space, from cozy apartments to stylish living rooms. Cutting-edge Flame Projection® and Living Ember Bed Technology creates realistic flame effects, adding a touch of sophistication and warmth to your home.



Black Nickel & Black Black Nickel & Chrome Brass & Black

Specification

Fire Box Dimensions: mm	H 595 x W 488 x D 156 (70 inset)
Fascia Dimensions: mm	H 598 x W 500 x D 100
Heat Output	0.8kW – 1.5kW
Model Number	Black Nickel & Black CUUSABRE-RGB Black Nickel & Chrome CUUSACRE-RGB Brass & Black CUUSATRE-RGB Rose Gold & Black CUUSARRE-RGB

Ultra SL Adonis

Ultiflame Hearth Inset Fire

The Adonis is a robust curved cast iron fascia, with a high quality modern Black paint finish.

Experience modern elegance and slimline design with the Ultiflame Ultra SL electric fire. Its sleek, glass-fronted design complements any contemporary décor, while the slimline profile makes it perfect for any space, from cozy apartments to stylish living rooms. Cutting-edge Flame Projection® and Living Ember Bed Technology creates realistic flame effects, adding a touch of sophistication and warmth to your home.



Cast Iron Fascia

Features

- Glass Fronted Fire
- Multi Flame Projection Technology®
- Living Ember Bed Technology®
- Flame Speed Control
- Premium Oak Logs
- 16 pre-set Flame/Ember colours/Animation mode
- LED brightness control
- Thermostatic remote & manual control operation
- CELSI App controllable. iOS & Android
- Amazon Alexa and Google Assistant compatible

Optional

- Spacer Frame 1167-1003933A





Features

- Glass Fronted Slimline Fuelbed
- Multi Flame Projection Technology®
- Living Ember Bed Technology®
- Flame Speed Control
- Premium Oak Logs
- 16 pre-set Flame/Ember colours/Animation mode
- LED brightness control
- Thermostatic remote & manual control operation
- CELSI App controllable. iOS & Android
- Amazon Alexa and Google Assistant compatible

Optional

- Spacer Frame 1167-100393A



Black Nickel & Black
Natural Oak Logs

Ultra SL Camber

Ultiflame Hearth Inset Fire

The camber fascia offers exceptional style and quality, precision engineered from high-quality extruded aluminium, with available anodised colours of Satin Silver, Satin Champagne, or textured black paint finish.

Hand-finished, flame-scorched oak logs meticulously recreating the charm of a natural hearth fire. Experience the warmth and ambiance reimagined for modern living. Take complete control with the multi-functional handset or the simple-to-use Smart App, putting you in command of the perfect fire, from flame speed and full-spectrum colors to so much more.



Satin Silver

Textured Black

Specification

Fire Box Dimension: mm	H 595 x W 488 x D 156 (70 inset)
Fascia Dimensions: mm	H 615 x W 535 x D 100
Heat Output	0.8kW – 1.5kW
Model Number	Satin Silver CUUSWORE-RGB Satin Champagne CUUSAORE-RGB Textured Black CUUSBORE-RGB

Ultra SL Essence

Ultiflame Hearth Inset Fire

Cosy up to the Ultra SL Essence, a warm and beautifully stylish modern electric fire that instantly elevates any space. Natural oak logs rest upon a slimline fuel bed, enhancing its sleek and contemporary profile, while vibrant, colour-changing embers dance beneath captivating flames, creating a mesmerising focal point.

The high-quality steel fabricated fascia provides modern style aesthetics with a durable build. Colour options are available in Satin Silver, or textured black paint finish.



Textured Black

Specification

Fire Box Dimensions: mm	H 595 x W 488 x D 156 (70 inset)
Fascia Dimensions: mm	H 610 x W 522 x D 88
Heat Output	0.8kW – 1.5kW
Model Number	Black Textured CUUSB0RE-RGB Satin Silver CUUSD0RE-RGB



Features

- Glass Fronted Slimline Fuelbed
- Multi Flame Projection Technology®
- Living Ember Bed Technology®
- Flame Speed Control
- Premium Oak Logs
- 16 pre-set Flame/Ember colours/Animation mode
- LED brightness control
- Thermostatic remote & manual control operation
- CELSI App controllable. iOS & Android
- Amazon Alexa and Google Assistant compatible

Optional

- Spacer Frame 1167-100393A



Satin Silver



Brass



Video



Specification

Fire Box Dimensions: mm	H 595 x W 488 x D 156 (70 inset)
Trim/Fret Dimensions: mm	H 600 x W 500 x D 110
Heat Output	0.8kW – 1.5kW
Model Number	Black CUUSBNRE-RGB Silver CUUSDRE-RGB Brass CUUSBBRE-RGB



Black



Silver

Ultra SL Bauhaus

Ultiflame Hearth Inset Fire

The Ultra SL Bauhaus offers the charm of a traditional fireplace with its elegant two-piece trim and fret design. Enjoy the cosy ambiance created by the genuine oak log arrangement, all with the simple convenience of manual or remote control operation. This fire brings warmth and classic style to any room.

Features

- Glass Fronted Slimline Fuelbed
- Multi Flame Projection Technology®
- Living Ember Bed Technology®
- Flame Speed Control
- Premium Oak Logs
- 16 pre-set Flame/Ember colours/Animation mode
- LED brightness control
- Thermostatic remote & manual control operation
- CELSI App controllable. iOS & Android
- Amazon Alexa and Google Assistant compatible

Optional

- Spacer Frame 1167-1003933A



CELSI SMART APP
Feature-rich and simple to operate. Control your fire from your smart phone or tablet with full handset functionality.

DLX Media Wall 1250
MIDNIGHT EDITION Electrifiame DLX Media Wall Suite

Our pre-built media wall suites are crafted in the UK using premium quality Egger boards in a choice of Cupria Slate, or Smooth White with Acoustic Oak panels. The media wall suite comes in three easy-to-assemble parts, making installation simple. Our design incorporates a log storage compartment, and a TV recessed compartment with a cut-out rear panel to flush-mount your TV. The Suite package includes our 1250 DLX electric fire with natural Oak logs and bark chippings.

Features

- 3-Sided Glass Fronted Fire
- Midnight Edition Dark Rear Glass
- Multi Flame Projection Technology®
- Living Ember Bed Technology®
- Flame Speed Control
- Natural Oak Logs & Bark chippings
- 16 pre-set colours/100+ custom/Animation mode
- LED brightness control
- Thermostatic remote & manual control operation
- CELSI App controllable. iOS & Android
- Amazon Alexa and Google Assistant compatible

Optional

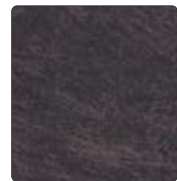
- Anti-Reflective Glass



AR
 ANTI-REFLECTIVE
 GLASS COMPATIBLE



Video



Cupria Slate



THERMO-
 STATIC



7 DAY
 TIMER



ENERGY
 SAVING



ISO
 FLAME



COLOUR
 SMART



FLAME
 SPEED



REAL
 WOOD

Specification

DLX Media Wall 1250

Suite Dimensions: mm

H 2267 x W 1570 x D 420

Heat Output

1.0kW – 2.0kW

Premium Board Paint Finish

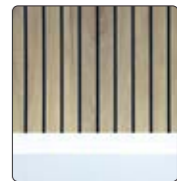
Model Number

Cupria Slate

EDXB12RE-MWG

White & Acoustic Oak

EDXB12RE-MWW



White &
 Acoustic Oak



Video

Media Wall S1600/S1250/S1000

Electrifiame VR Premier Suite

Our pre-built media wall suite is crafted in the UK using premium-grade Egger board finished with Cupria Slate, elegant warm tones of black and copper, its light texture feels natural and looks sophisticated. The media wall suite comes in three easy-to-assemble parts, making installation simple. Our design incorporates a log storage compartment, and a TV recessed compartment with a cut-out rear panel to flush-mount your TV.

The Suite package includes our Commodus E-VR S electric fires with highly detailed woodland logs fuel effect.

Features

- 3-Sided Glass Fronted Fire
- Flame Projection Technology®
- Woodland Effect Logs
- Living Embers Effect
- 16 pre-set colours/100+ custom/Animation mode
- LED brightness control
- Thermostatic remote & manual control operation
- CELSI App controllable. iOS & Android
- Amazon Alexa and Google Assistant compatible



White & Acoustic Oak S1250



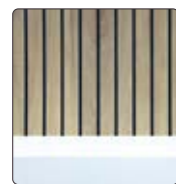
Cupria Slate S1000



Cupria Slate S1600



Video



White & Acoustic Oak



THERMO-STATIC



7 DAY TIMER



ENERGY SAVING



ISO FLAME



COLOUR SMART

Specification

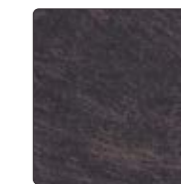
Suite Dimensions: mm	S1600 - H 2200 x W 1450 x D 360 S1250 - H 2200 x W 1570 x D 360 S1000 - H 2200 x W 1570 x D 360
Heat Output	0.8kW – 1.6kW

Premium Board Paint Finish
Cupria Slate

Model Number
S1600 - EFVR16RE-MWG
S1250 - EFVR12RE-MWG
S1000 - EFVR10RE-MWG

White & Acoustic Oak

S1600 - EFVR16RE-MWW
S1250 - EFVR12RE-MWW
S1000 - EFVR10RE-MWW



Cupria Slate



Video



DLX Monroe 1250/1000
MIDNIGHT EDITION Electriflame DLX Premier Suite

Crafted in the UK using premium quality Egger boards in Smooth White with Acoustic Oak panels. This suite comes fully assembled complete with our popular sizes 1250 or 1000 DLX Natural Oak log fires. Suite installation is as simple as placing down and plugging in.

Features

- 3-Sided Glass Fronted Fire
- Midnight Edition Dark Rear Glass
- Multi Flame Projection Technology®
- Living Ember Bed Technology®
- Flame Speed Control
- Natural Oak Logs
- Bark chippings
- 16 pre-set colours/100+ custom/Animation mode
- LED brightness control
- Thermostatic remote & manual control operation
- CELSI App controllable. iOS & Android
- Amazon Alexa and Google Assistant compatible

Optional

- Anti-Reflective Glass



ANTI-REFLECTIVE
GLASS COMPATIBLE



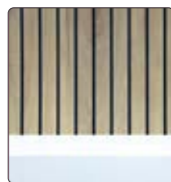
DLX Monroe 1250 Suite



1250



1000



White & Acoustic Oak

Specification

Suite Dimensions: mm	1250 - H 840 x W 1640 x D 420 1000 - H 830 x W 1380 x D 420
Heat Output	1.0kW – 2.0kW
Premium Board Paint Finish	Model Number
White & Acoustic Oak	1250 - EDX12SRE-MSW 1000 - EDX10SRE-MSW



CELSI SMART APP

Feature-rich and simple to operate. Control your fire from your smart phone or tablet with full handset functionality.





Sinatra S1250/S1000

Electriflame VR Premier Suite

Sinatra in White and Thunder Grey is a “place down plug-in” electric Smart suite with hassle-free installation. Next-generation Flame Projection technology creates the flame illusion to the front, the centre, and the rear of the fuel bed. This simulates a natural log fire effect that raises the appearance and functionality of electric fires to a new level.

Features

- 3-Sided Glass Fronted Fire
- Flame Projection Technology®
- Woodland Effect Logs
- Living Embers Effect
- 16 pre-set colours/100+ custom/Animation mode
- LED brightness control
- Thermostatic remote & manual control operation
- CELSI App controllable. iOS & Android
- Amazon Alexa and Google Assistant compatible



Sinatra S1250 Suite



S1250



S1000

Specification

Suite Dimensions: mm	S1250: H 750 x W 1500 x D 360 S1000: H 750 x W 1245 x D 360
Heat Output	0.8kW – 1.6kW
Premium Board Paint Finish White & Thunder Grey	Model Number S1250 - EFVR12RE-WTG S1000 - EFVR10RE-WTG



CELSI SMART APP

Feature-rich and simple to operate. Control your fire from your smart phone or tablet with full handset functionality.





Quantum S1250 Suite

Quantum S1250/S1000

Electrifiame VR Premier Illumia Suite

Quantum is a “place down plug-in” electric Smart suite with hassle-free installation. Next-generation Flame Projection technology creates the flame illusion to the front, the centre, and the rear of the fuel bed. This simulates a natural log fire effect that raises the appearance and functionality of electric fires to a new level.

Features

- 3-Sided Glass Fronted Fire
- Dimmable LED surround lighting
- Flame Projection Technology®
- Woodland Effect Logs
- Living Embers Effect
- 16 pre-set colours/100+ custom/Animation mode
- LED brightness control
- Thermostatic remote & manual control operation
- CELSI App controllable. iOS & Android
- Amazon Alexa and Google Assistant compatible



Casino S1250/S1000

Electrifiame VR Premier Suite

The Electrifiame VR Casino Suite is proportionately designed to look sensational wherever it's placed bringing focus to your living area. From small to medium sized rooms this slimline structure makes it possible to accommodate a feature fireplace where freestanding space may be limited.

Features

- 3-Sided Glass Fronted Fire
- Flame Projection Technology®
- Woodland Effect Logs
- Living Embers Effect
- 16 pre-set colours/100+ custom/Animation mode
- LED brightness control
- Thermostatic remote & manual control operation
- CELSI App controllable. iOS & Android
- Amazon Alexa and Google Assistant compatible



Casino S1000 Suite

Specification

Suite Dimensions: mm	S1250: H 785 x W 1565 x D 360 S1000: H 785 x W 1390 x D 360
Heat Output	0.8kW – 1.6kW
Premium Board Paint Finish Smooth White	Model Number S1250 - EVR12RE-SWT S1000 - EVR10RE-SWT

Specification

Suite Dimensions: mm	S1250: H 680 x W 1460 x D 274 S1000: H 680 x W 1210 x D 274
Heat Output	0.8kW – 1.6kW
Premium Board Paint Finish Smooth White	Model Number S1250 - EVR12CRE-SWT S1000 - EVR10CRE-SWT



S1250



S1000



S1250



S1000

DLX Navarro Suites 750/600XT/600

Electriflame DLX Premier Suite

DLX Navarro Suite is tastefully designed and manufactured using Premier quality boards, painted to a smooth white finish. At the heart is the glass fronted DLX electric fire with innovative Smart technology. The fuel effect consists of natural oak logs placed over a blaze of underbed living embers. The flame speed can be easily controlled to suit your desired mood and preference.

These suites offer a simple place down and plug-in, fuss-free installation.

Features

- Glass Fronted Fire
- Multi Flame Projection Technology®
- Living Ember Bed Technology®
- Flame Speed Control
- Premium Oak Logs or Woodland Effect Logs
- 16 pre-set colours/100+ custom/Animation mode
- LED brightness control
- Thermostatic remote & manual control operation
- CELSI App controllable. iOS & Android
- Amazon Alexa and Google Assistant compatible



DXL Navarro 600XT
Premium Oak Logs



DXL Navarro 600
Woodland Effect Logs



DXL Navarro 750. Premium Oak Logs



Specification	Model Numbers	
	Premium Oak	Woodland Effect
Dimensions: mm		
750 Suite	H 1010 x W 1520 x D 400 EDLXALRE-NVRR	EDLXALRE-NVR
600XT Suite	H 1060 x W 1320 x D 400 EDLXASRE-NVRR	EDLXASRE-NVR
600XT Suite	H 1060 x W 1320 x D 400 EDLX22RE-NVRR	EDLX22RE-NVR
Heat Output	0.8kW – 1.5kW	



Smooth White



Video

Specification

Suite Dimensions: mm	H 740 x W 1465 x D 360
Heat Output	0.8kW – 1.6kW
Finish Painted Premium Board Model Number	Model Number Smooth White CEUL9GRE-SWT

Torronto 800

Ultiflame VR Premier Illumia Suite

Toronto 800 Illumia Suite is tastefully designed and manufactured using Premier quality boards, painted to a smooth finish. This suite features integrated dimmable warm LED downlights, and at the heart is the 33-inch U-VR electric fire with innovative technology to provide an open fire experience. The deep fuel bed provides an arrangement of supremely detailed logs placed over a perception of hot embers, for a truly natural and authentic looking fire.

Features

- Open Fronted Fire
- Dimmable LED surround lighting
- Customisable fuel effect
- Silver birch effect Logs
- Ash embers effect
- Single or dual colour flame
- LED brightness control
- Thermostatic remote & manual control operation



DLX Toronto 600

Electrifiame DLX Premier Illumia Suite

DLX Toronto 600 Illumia Suite is tastefully designed and manufactured using Premier quality boards, painted to a smooth finish. This suite features integrated dimmable warm LED downlights. At the heart is the glass fronted DLX 600 electric fire with innovative Smart technology. The fuel effect consists of realistic flames, and natural oak logs placed over a blaze underbed living embers.

Features

- Glass Fronted Fire
- Dimmable Surround LEDs
- Multi Flame Projection Technology®
- Living Ember Bed Technology®
- Flame Speed Control
- Premium Oak or Woodland Effect Logs
- 16 pre-set colours/100+ custom/Animation mode
- LED brightness control
- Thermostatic remote & manual control operation
- CELSI App controllable. iOS & Android
- Amazon Alexa and Google Assistant compatible



Textured Black



Smooth White



Textured White. Premium Oak

Specification

Suite Dimensions: mm	H 835 x W 1185 x D 360	
Heat Output	0.8kW – 1.6kW	
Premium Board Paint Finish	Model Number	
	Premium Oak	Woodland Effect
Textured White	EDLXTSRE-TWHR	EDLXTSRE-TWH
Textured Black	EDLXTSRE-TBWR	EDLXTSRE-TBW
Smooth White	EDLXTSRE-SWTR	EDLXTSRE-SWT



Video



58 inch Suite. Premium Oak Logs



58"

Specification

Suite Dimensions: mm	54" 58"	H 1050 x W 1370 x D 400 H 1050 x W 1470 x D 400
Heat Output	0.8kW – 1.5kW	
Model Number	Premium Oak	Woodland Effect
	54" CEULAL54RR	54" CEULAL54RE
	58" CEULAL58RER	58" CEULAL58RE

DLX Aleesia 750

Electriflame DLX Limestone Suite

The DLX Aleesia Suite features a stunning Portuguese Limestone surround with integrated warm natural LED downlights, housing the contemporary DLX 750 glass fronted Smart electric fire that captivates with a mesmerizing interplay of light and shadow, thanks to Multi Flame Projection® and Living Ember Bed® technology.

Suite is available in 58, and 54 inch widths.

Features

- Glass Fronted Fire
- Dimmable Surround LEDs
- Multi Flame Projection Technology®
- Living Ember Bed Technology®
- Flame Speed Control
- Premium Oak Logs or Woodland Effect Logs
- 16 pre-set colours/100+ custom/Animation mode
- LED brightness control
- Thermostatic remote & manual control operation
- CELSI App controllable. iOS & Android
- Amazon Alexa and Google Assistant compatible



54 inch Suite. Woodland Effect Logs



54"



CELSI SMART APP
Feature-rich and simple to operate. Control your fire from your smart phone or tablet with full handset functionality.





Premium Oak Logs

DLX Asencio 600XT

Electriflame DLX Limestone Suite

A beautiful contemporary Portuguese Limestone surround paired with the DLX 600XT electric fire. This innovative technology provides a deep fuel bed with premium natural oak logs placed over a perception of hot ash embers. At the touch of a button this fire creates beautiful flowing flames and relaxing comfortable warmth, much as you would expect from a natural fire experience. For a modern and elegant electric fireplace, enhancing your living space, creating a relaxing home lifestyle.

Features

- Glass Fronted Fire
- Multi Flame Projection Technology®
- Living Ember Bed Technology®
- Flame Speed Control
- Premium Oak Logs or Woodland Effect Logs
- 16 pre-set colours/100+ custom/Animation mode
- LED brightness control
- Thermostatic remote & manual control operation
- CELSI App controllable. iOS & Android
- Amazon Alexa and Google Assistant compatible



Specification

Suite Dimensions: mm	H 1095 x W 1376 x D 380	
Heat Output	0.8kW – 1.5kW	
Model Number	Premium Oak CEULASSRER	Woodland Effect CEULASSRE



Video

DLX Boticelli 600

Electriflame DLX Limestone Suite

The DLX Boticelli Suite features a stunning Portuguese Limestone surround housing the contemporary DLX 600 inset Smart electric fire. This fire comes with Smart connection capability and innovative technology. The fuel effect consists of realistic natural flame, and authentically designed woodland logs placed over a blaze underbed living embers. The flame speed can be easily controlled to suit your desired mood and preference.

Features

- Glass Fronted Fire
- Multi Flame Projection Technology®
- Living Ember Bed Technology®
- Flame Speed Control
- Premium Oak Logs or Woodland Effect Logs
- 16 pre-set colours/100+ custom/Animation mode
- LED brightness control
- Thermostatic remote & manual control operation
- CELSI App controllable. iOS & Android
- Amazon Alexa and Google Assistant compatible



Woodland Effect Logs

Specification

Suite Dimensions: mm	H 1060 x W 1370 x D 380	
Heat Output	0.8kW – 1.5kW	
Model Number	Premium Oak CEULAVRE- RGRB	Woodland Effect CEULAVRE-RGB



Video



Premium Oak Logs



Video

Specification

Suite Dimensions: mm	H 1070 x W 1370 x D 380	
Heat Output	0.8kW – 1.5kW	
Model Number	Premium Oak CEULLIRE- RGRB	Woodland Effect CEULLIRE-RGB

DLX Angelo 600

Electriflame DLX Limestone Suite

DLX Angelo Suite features a stunning Portuguese Limestone surround, housing the contemporary DLX 600 glass fronted electric fire. This innovative technology provides a deep fuel bed with premium natural oak logs placed over a perception of hot ash embers.

For a modern and elegant electric fireplace, this suite will elevate your living space and create a tranquil home atmosphere.

Features

- Glass Fronted Fire
- Multi Flame Projection Technology®
- Living Ember Bed Technology®
- Flame Speed Control
- Premium Oak Logs or Woodland Effect Logs
- 16 pre-set colours/100+ custom/Animation mode
- LED brightness control
- Thermostatic remote & manual control operation
- CELSI App controllable. iOS & Android
- Amazon Alexa and Google Assistant compatible



DLX Pablo 600

Electriflame DLX Limestone Suite

The DLX Pablo Suites' straight lines and sleek design present a more modern electric fireplace appearance. This well-proportioned surround is made from the finest quality Portuguese limestone and comes with the DLX 600 glass fronted electric fire. The fire comes with Smart connection capability and innovative technology. The fuel effect consists of realistic natural flame, and authentically designed woodland logs placed over a blaze underbed living embers. The flame speed can be easily controlled to suit your desired mood and preference.

Features

- Glass Fronted Fire
- Multi Flame Projection Technology®
- Living Ember Bed Technology®
- Flame Speed Control
- Premium Oak Logs or Woodland Effect Logs
- 16 pre-set colours/100+ custom/Animation mode
- LED brightness control
- Thermostatic remote & manual control operation
- CELSI App controllable. iOS & Android
- Amazon Alexa and Google Assistant compatible



Woodland Effect Logs

Specification

Suite Dimensions: mm	1060 x W 1370 x D 380	
Heat Output	0.8kW – 1.5kW	
Model Number	Premium Oak CEULRSRE- RGRB	Woodland Effect CEULRSRE-RGB



Video



With optional decorative fluepipe



Video

Specification

Dimensions: mm	H: 800 x W 500 x D 400
Heat Output	1.0kW – 2.0kW
Finish Steel Fabricated Painted	Model Number ESEHGORE

Optional Accessory

- Decorative Steel Flue Pipe Assembly B-1033451



Without fluepipe



Hologram Genesis

Electrictove 3D Stove

Explore dancing flame witchery and smouldering logs with Living Ember Bed Technology, a desirable effect at the forefront of the electric stoves market. This exciting new generation of electric stoves features patented technologies. It is economical to run with high quality LEDs. The heater is thermostatically controlled and simple to use. Operated manually, by remote control, or via WiFi using our dedicated Celsi app.

The flame picture can be used in isolation to the heat, and is a popular choice when no heat is required during the summer months, offering exceptionally low running costs.

Features

- Tough steel construction
- Holographic Im-Mesh 3D Technology[®]
- Multi Flame Projection Technology[®]
- Living Embers Effect
- Woodland Effect Logs
- 16 pre-set colours/100+ custom/Animation mode
- LED brightness control
- Thermostatic remote & manual control operation
- CELSI App controllable. iOS & Android
- Amazon Alexa and Google Assistant compatible

Optional Accessory

- Decorative Steel Flue Pipe



THERMO-STATIC



7 DAY TIMER



ENERGY SAVING



ISO FLAME



COLOUR SMART



CELSI SMART APP

Feature-rich and simple to operate. Control your fire from your smart phone or tablet with full handset functionality.



Spector with optional decorative fluepipe



Spector

Specification

Dimensions: mm	Spector H: 800 x W 500 x D 400 Spector SL: H 1095 x W 500 x D 400
Heat Output	1.0kW – 2.0kW
Finish Steel Fabricated Painted	Model Number Spector EFVRSRE Spector LS EFVRLRE

Optional Accessory

- Decorative Steel Flue Pipe Assembly B-1033451



Spector LS. Logstore model



Spector/LS

Electrictove VR 3-Sided Stove

Electrictove VR Spectre is a modern 3-sided glass windowed designer stove featuring prominent campfire styled split logs that are viewable from all angles of your room. The models are available with standard height, or (LS) tall height, featuring a dedicated 'Log Store' facility. These stoves benefit from a simple place-down and plug-in fuss-free installation.

Features

- Tough steel construction
- 3-Sided Glass Fronted Stove
- Flame Projection Technology®
- Living Embers Effect
- Woodland Effect Logs
- 16 pre-set colours/100+ custom/Animation mode
- LED brightness control
- Thermostatic remote & manual control operation
- CELSI App controllable. iOS & Android
- Amazon Alexa and Google Assistant compatible

Optional Accessory

- Decorative Steel Flue Pipe



THERMOSTATIC



7 DAY TIMER



ENERGY SAVING



ISO FLAME



COLOUR SMART



CELSI SMART APP

Feature-rich and simple to operate. Control your fire from your smart phone or tablet with full handset functionality.



Spector LS



With optional decorative fluepipe



Video

Specification

Dimensions: mm	H: 590 x W 500 x D 330
Heat Output	1.0kW – 2.0kW
Finish Steel Fabricated Painted	Model Number EFVRSTRE

Optional Accessories

- Decorative Steel Flue Pipe Assembly B-1033451

Stratford

Electrictove VR Stove

Electrictove VR Stratford offers the timeless charm of a traditional wood-burning stove with the convenience and modern technology of an electric appliance. Featuring a robust steel body and a classic design, it complements various interior styles. The stove boasts Celsi's advanced E-VR Flame Projection Technology, creating a remarkably realistic and captivating flame effect with a detailed log fuel bed and living embers effect. Enjoy a cosy ambiance year-round with independent heat and flame controls, offering up to 2kW of heat output when needed.

Features

- Tough steel construction
- Flame Projection Technology®
- Living Embers Effect
- Woodland Effect Logs
- 16 pre-set colours/100+ custom/Animation mode
- LED brightness control
- Thermostatic remote & manual control operation
- CELSI App controllable. iOS & Android
- Amazon Alexa and Google Assistant compatible

Optional Accessory

- Decorative Steel Flue Pipe



Rochester

Electrictove VR Stove

Experience the enduring charm of the Electrictove VR Rochester. Crafted with a robust build quality, this electric stove is designed to stand the test of time, providing reliable warmth and captivating aesthetics for years to come. The elegantly curved design of the door and stove-top adds a touch of sophisticated styling, seamlessly blending traditional appeal with contemporary flair. Make the Rochester the heart of your home.

Features

- Tough steel construction
- Curved door design
- Flame Projection Technology®
- Living Embers Effect
- Silver Birch Effect Logs
- Single and dual colour flame
- LED brightness control
- Thermostatic remote & manual control operation

Optional Accessory

- Decorative Steel Flue Pipe
- Woodland effect logs



Woodland effect logs option.



With optional decorative fluepipe

Specification

Dimensions: mm	H: 606 x W 532 x D 372
Heat Output	1.0kW – 2.0kW
Finish Steel Fabricated Painted	Model Number CEVRSRRE

Optional Accessories

- Decorative Steel Flue Pipe Assembly B-1033451
- Woodland effect logs B-1010811



Video



With optional decorative fluepipe

Specification

Dimensions: mm	H: 582 x W 430 x D 389
Heat Output	1.0kW – 2.0kW
Finish Steel Fabricated Painted	Model Number CEVRSARE

Optional Accessories

- Decorative Steel Flue Pipe Assembly B-1033451
- Woodland effect logs B-1010811

Arundel

Electrystove VR Stove

Discover the understated elegance of the Electrystove VR Arundel. Built with unwavering toughness, this electric stove offers lasting durability and dependable warmth. The clean, linear design of the door and stove-top exudes a sense of modern sophistication, making it a versatile addition to any living space. Let the Arundel bring a touch of refined style and cosy comfort to your home.

Features

- Tough steel construction
- Flame Projection Technology®
- Living Embers Effect
- Silver Birch Effect Logs
- Single and dual colour flame
- LED brightness control
- Thermostatic remote & manual control operation

Optional Accessory

- Decorative Steel Flue Pipe
- Woodland effect logs



Woodland effect logs option

Glass 1 & 2

Electrystove XD Stove

The Electrystove XD Glass Stove goes beyond aesthetics, offering advanced features for effortless comfort. Enjoy precise warmth with thermostatic heating control and customize your ambiance with the variable LED flame dimmer, complete with a random fuel bed glow. Need to drift off? The 8-hour Sleep Timer has you covered. Plus, with IsoFlame compatibility, you can enjoy the mesmerizing flames independently when no heat is needed. All these features are easily managed via the remote control handset or the manual controls on the appliance.



Glass 1

Features

- Tough steel construction
- Black glass door and stove top
- High definition effect
- Extra deep 3d coal
- Relaxing smoky flames
- Single and dual colour flame
- LED brightness control
- Thermostatic remote & manual control operation



Glass 2

Specification

		Model Number
Dimensions: mm	Glass 2 H 591 x W 524 x D 295 Glass 1 H 583 x W 430 x D 334	CESLMDRE-ERP CESSMDRE-ERP
Heat Output	1.0kW – 2.0kW	
Finish Steel Fabricated Painted		



Glass 1



Glass 2



Video



Metal 1

Electrilstove XD Stove

Boasting a solid steel frame typical of traditional freestanding stoves, the Electrilstove XD Metal 1 marries robust construction with contemporary design. It's a true "Place down and Plug in" appliance, making it incredibly versatile for any room in your home – whether it's nestled in an inglenook or adding warmth to a conservatory. As a portable electric appliance, it's perfect for well-insulated spaces or adding a touch of warmth whenever and wherever you need it.

Features

- Tough steel construction
- High definition effect
- Extra deep 3d coal
- Relaxing smoky flames
- Single and dual colour flame
- LED brightness control
- Thermostatic remote & manual control operation

Optional Accessory

- Decorative Steel Flue Pipe



THERMO-
STATIC 8 HOUR
TIMER ENERGY
SAVING ISO
FLAME

With optional decorative fluepipe



Video

Specification

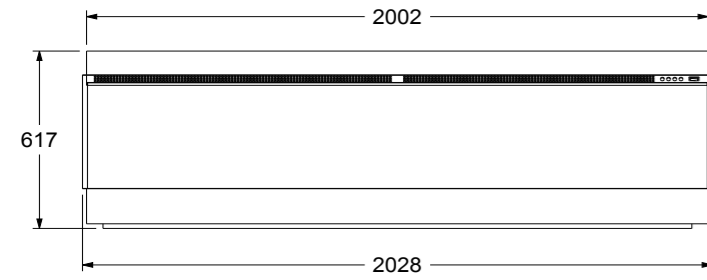
Dimensions: mm	H: 579 x W 430 x D 332
Heat Output	1.0kW – 2.0kW
Finish Steel Fabricated Painted	Model Number CESSMDRE-ERP

Optional Accessory

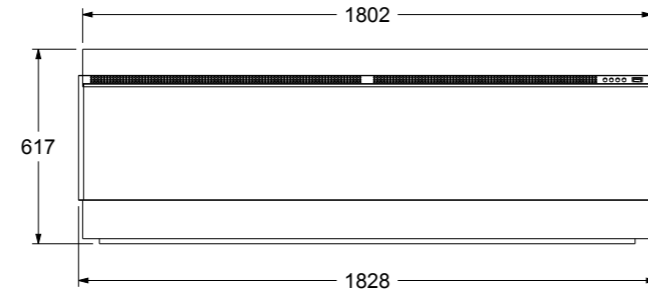
- Decorative Steel Flue Pipe Assembly B-1033451

FIRE DIMENSIONS

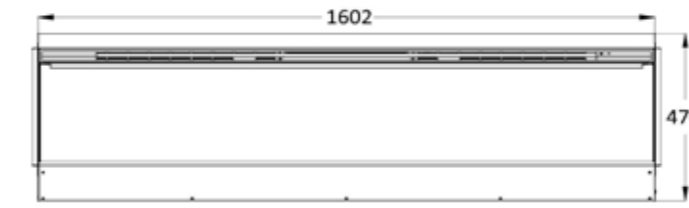
Measurements in millimetres



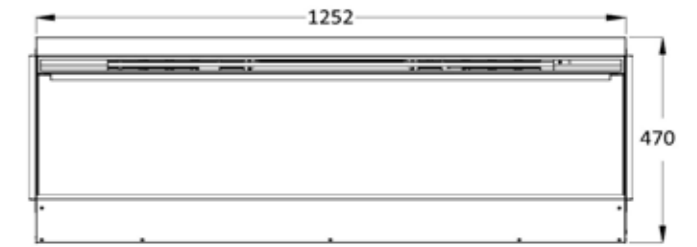
DLX 2000



DLX 1800



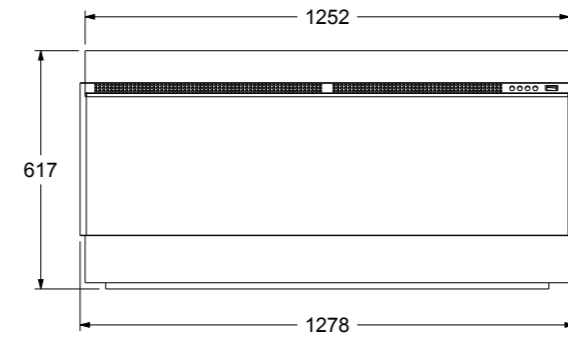
E-VR COMMODUS 1600



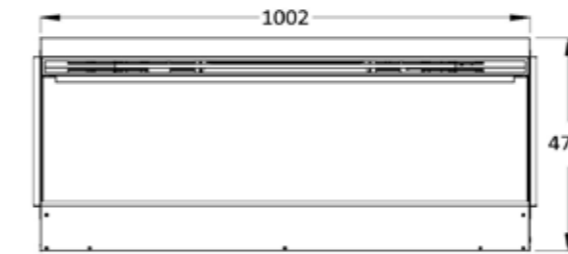
E-VR COMMODUS 1250



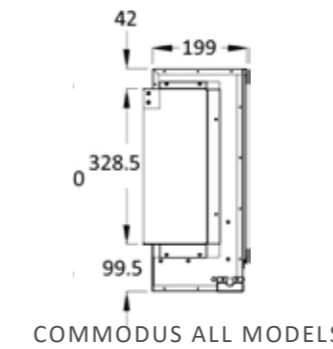
DLX 1600



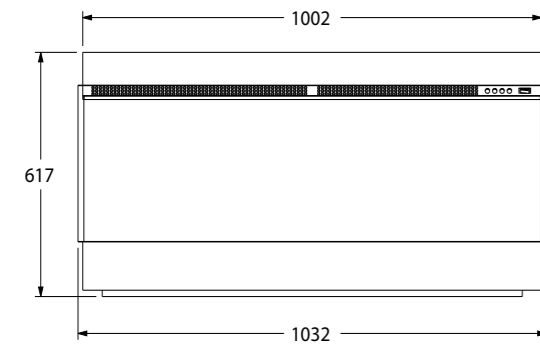
DLX 1250



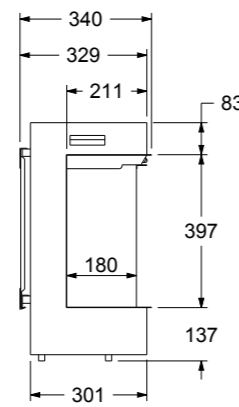
E-VR COMMODUS 1000



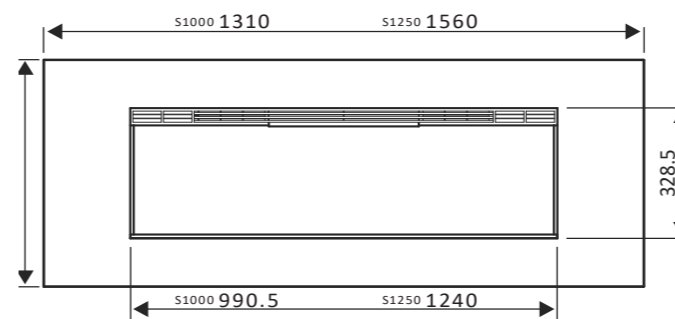
COMMODUS ALL MODELS



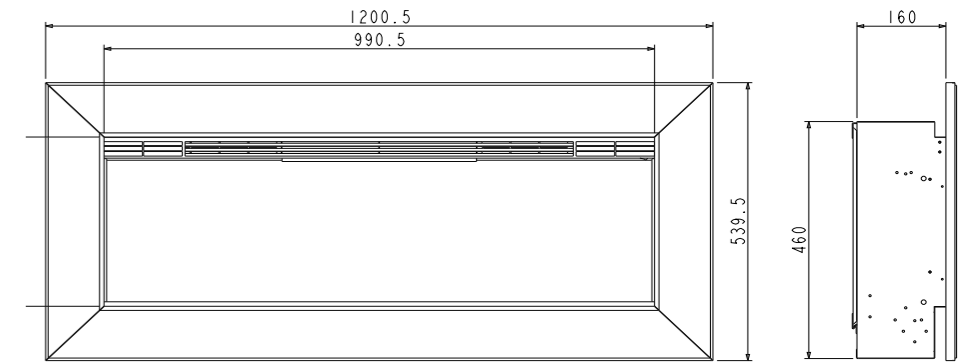
DLX 1000



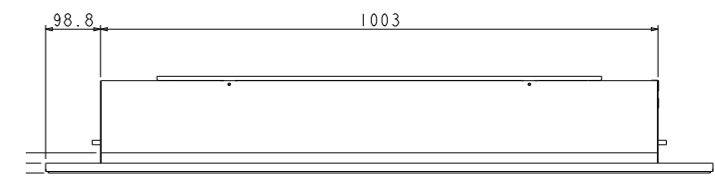
DLX ALL MODELS



E-VR ROSETTA 1250/1000

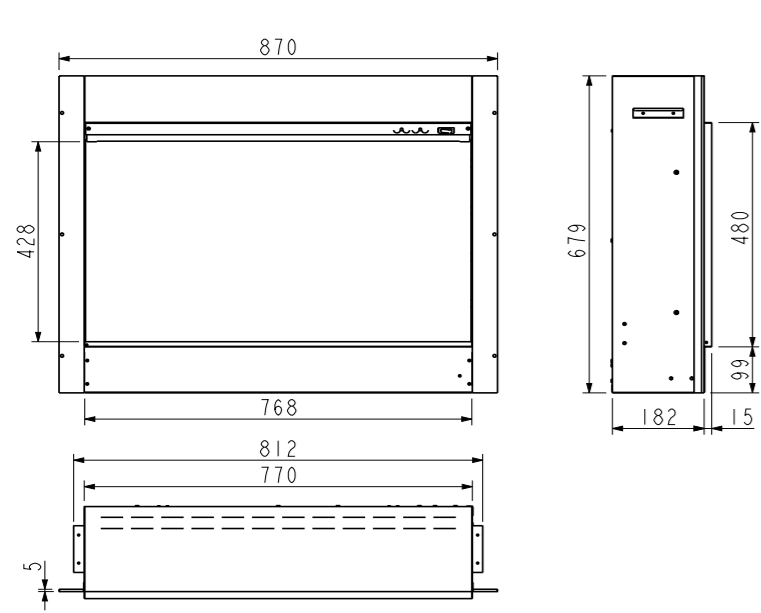


E-VR COMMODUS 1000 + FASCIA

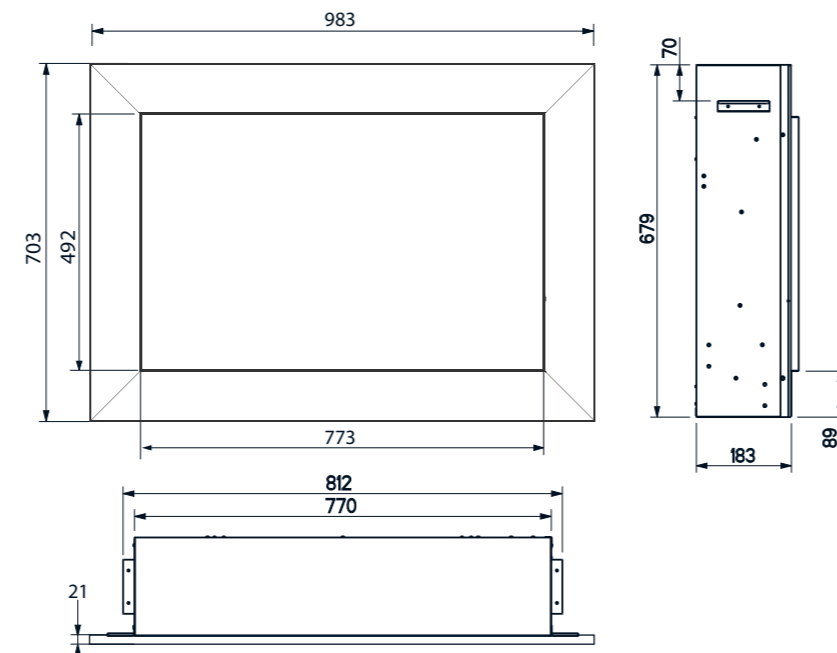


FIRE DIMENSIONS

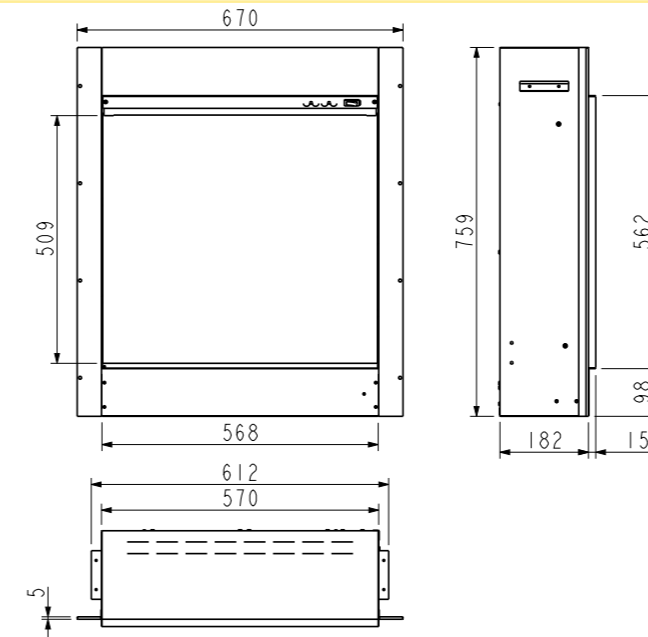
Measurements in millimetres



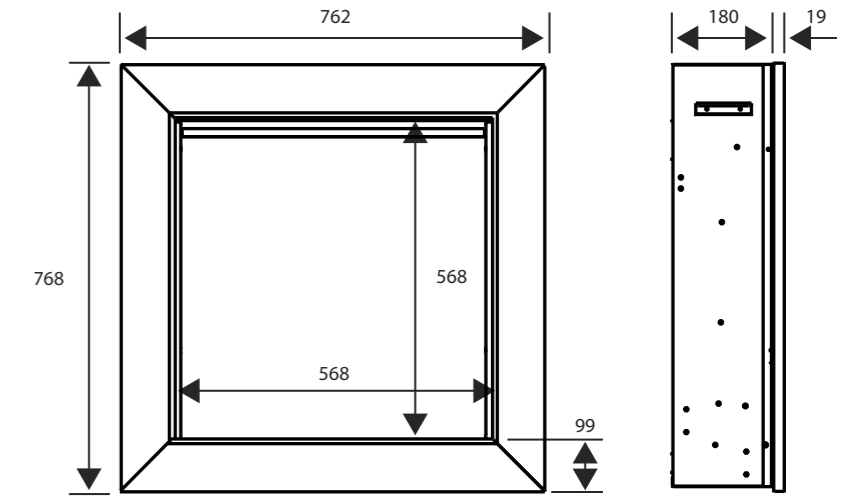
DLX 750



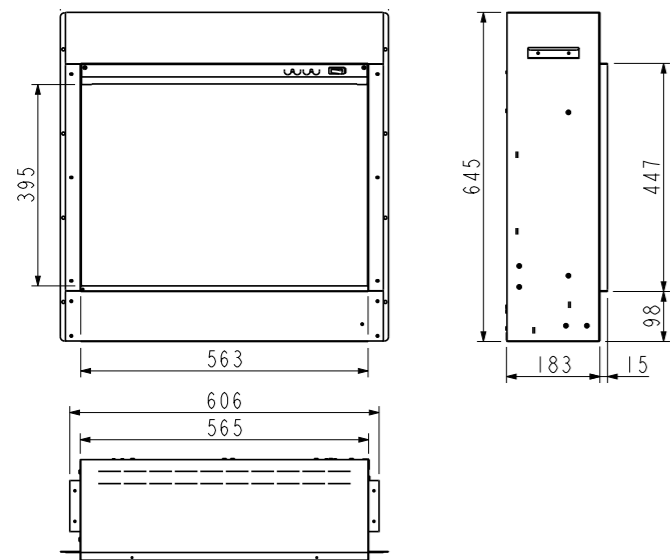
DLX VADER 750



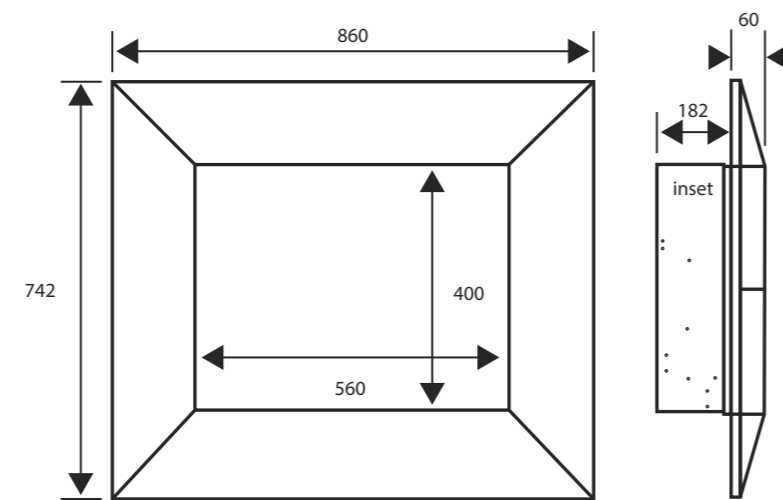
DLX 600XT



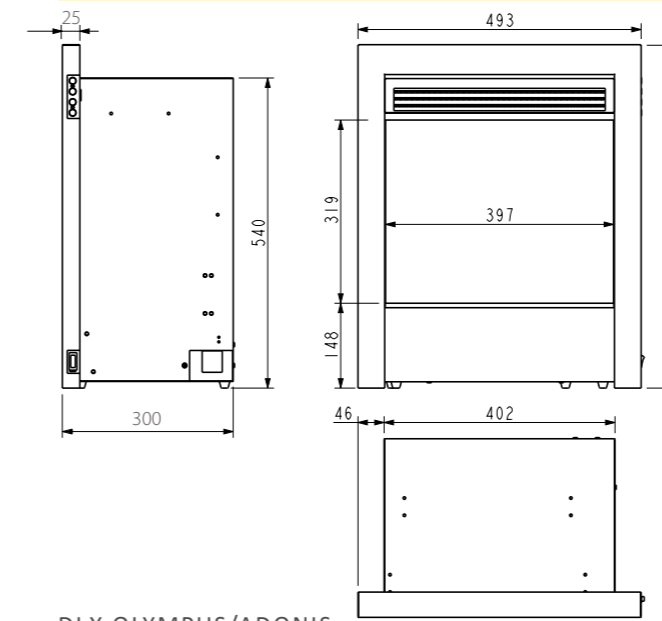
DLX EVORA 600XT



DLX 600

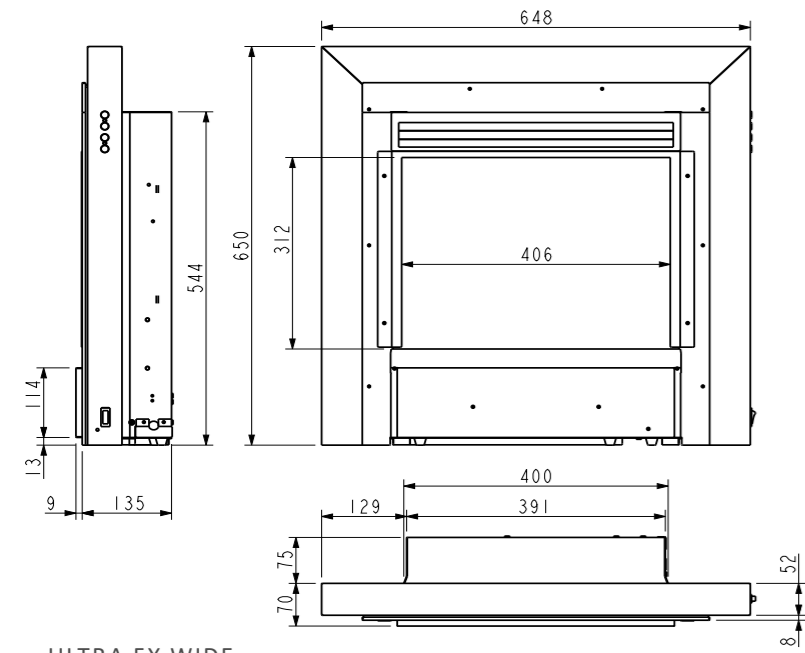


DLX IMPULSE 600

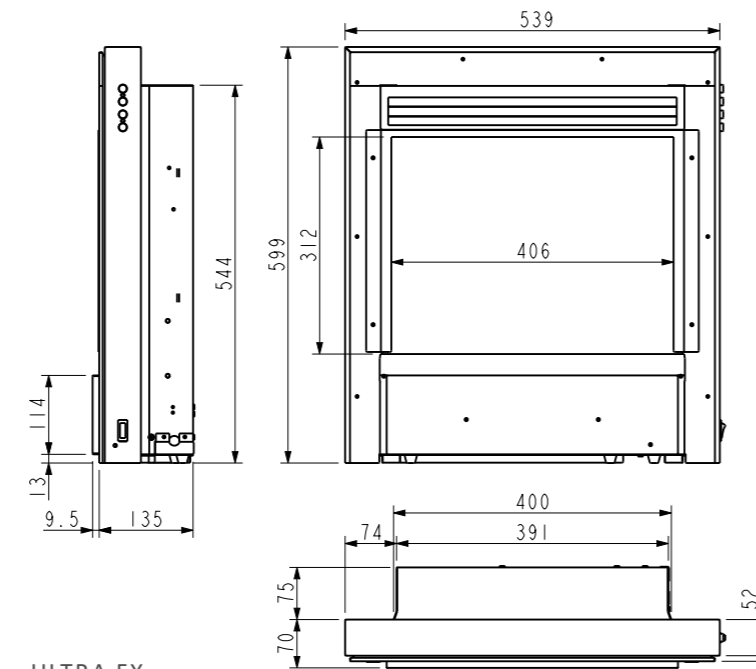


DLX OLYMPUS/ADONIS

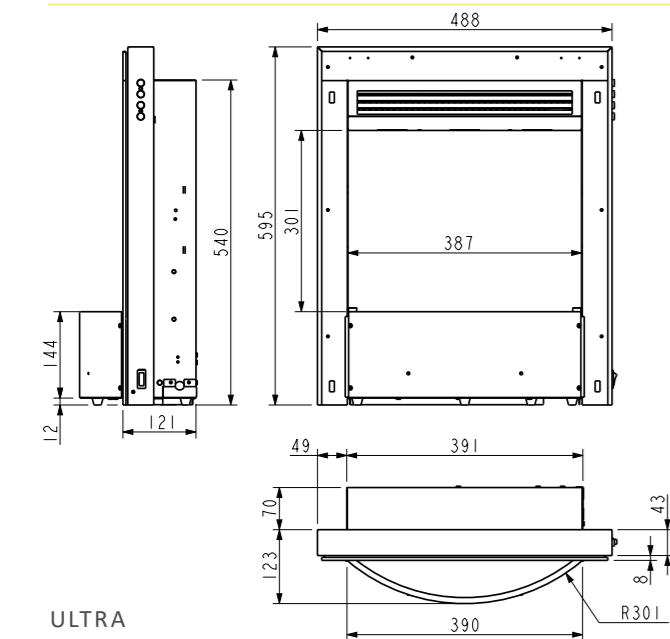
FIRE DIMENSIONS



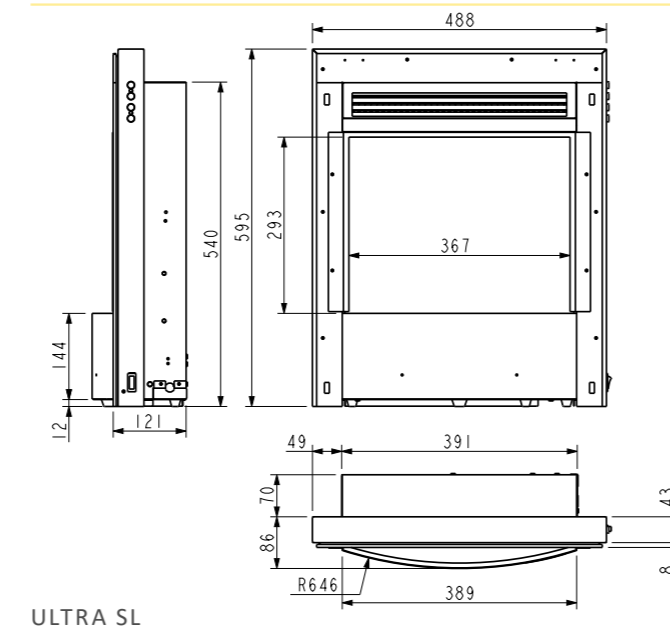
ULTRA FX WIDE



ULTRA FX



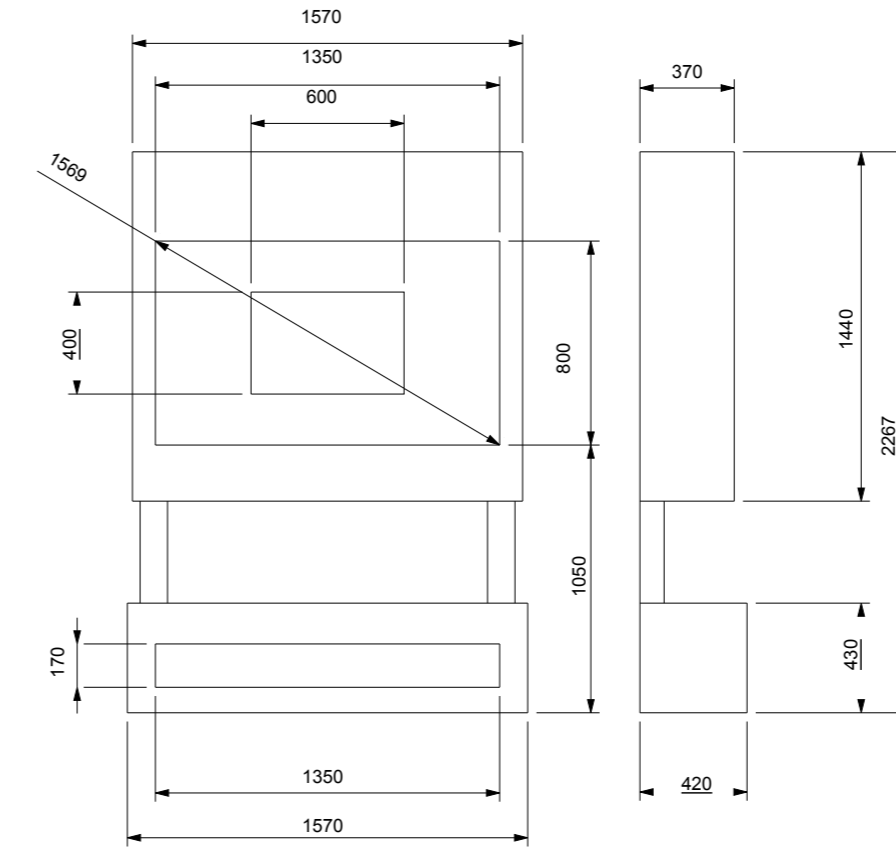
ULTRA



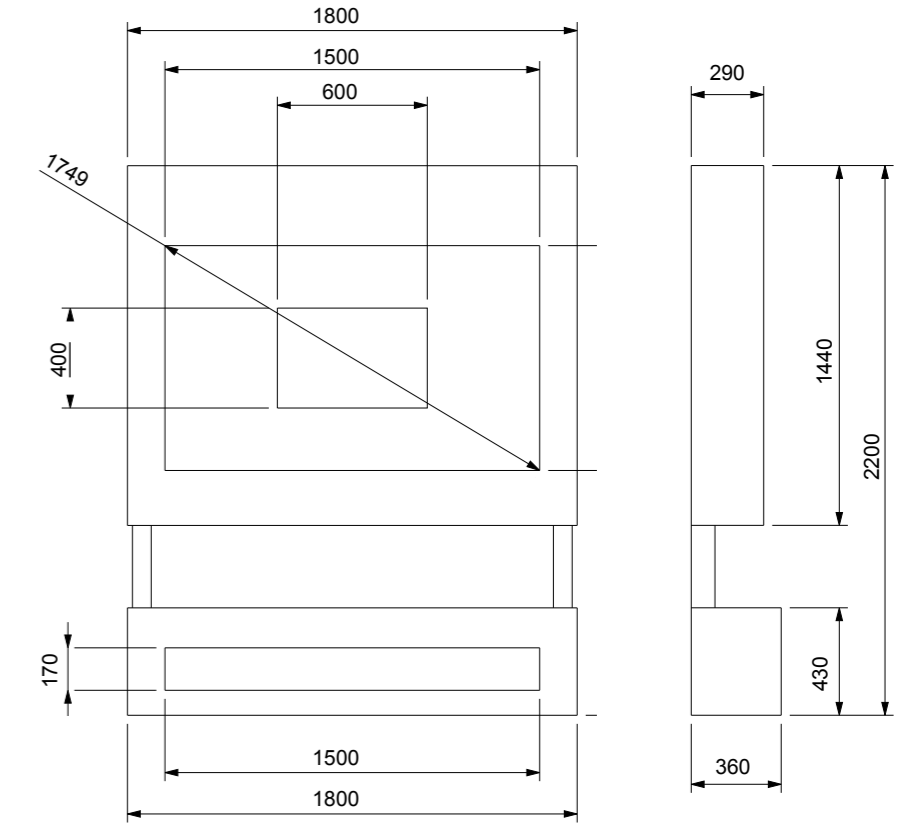
ULTRA SL

MEDIA WALL SUITE DIMENSIONS

Measurements in millimetres

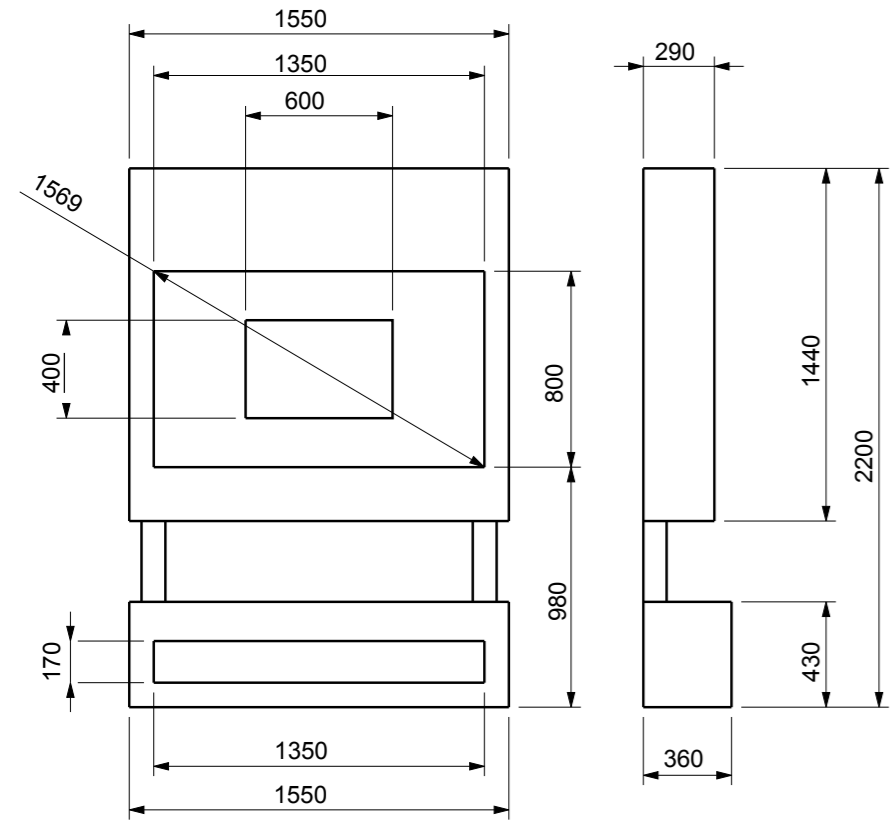


DLX MEDIA WALL 1250

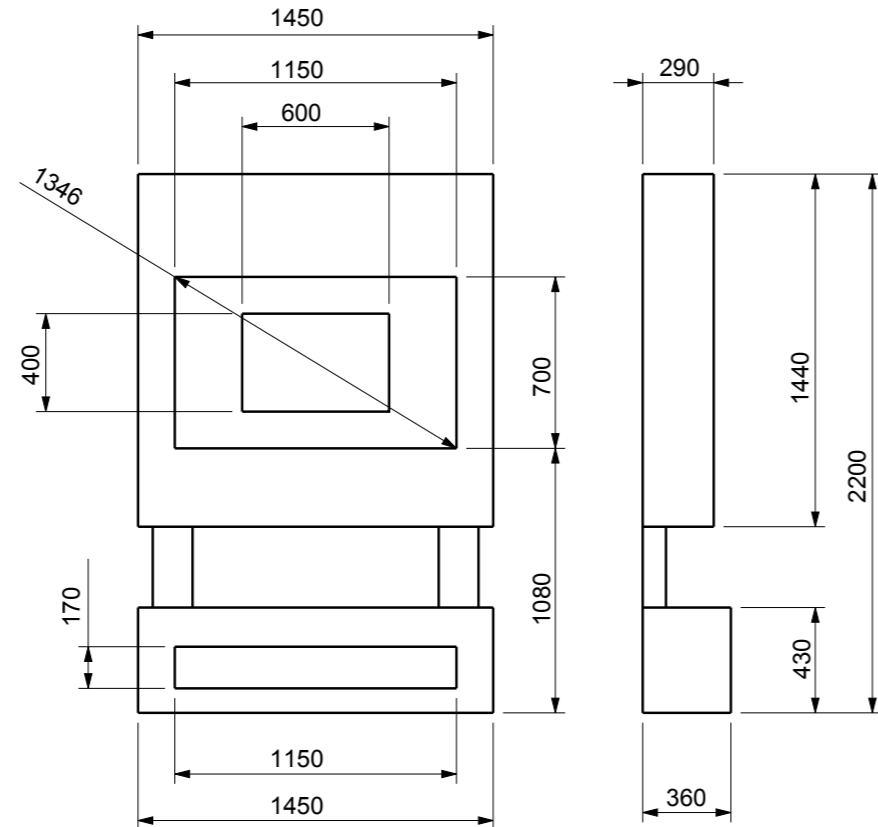


E-VR MEDIA WALL SW1600

MEDIA WALL SUITE DIMENSIONS



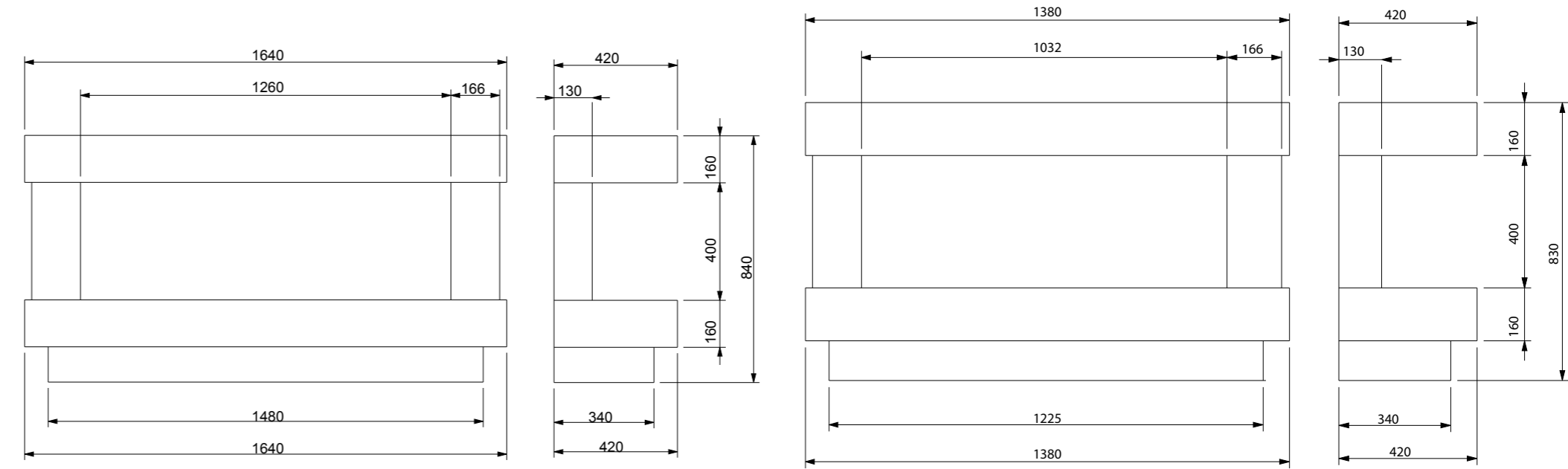
E-VR MEDIA WALL S1250



E-VR MEDIA WALL S1000

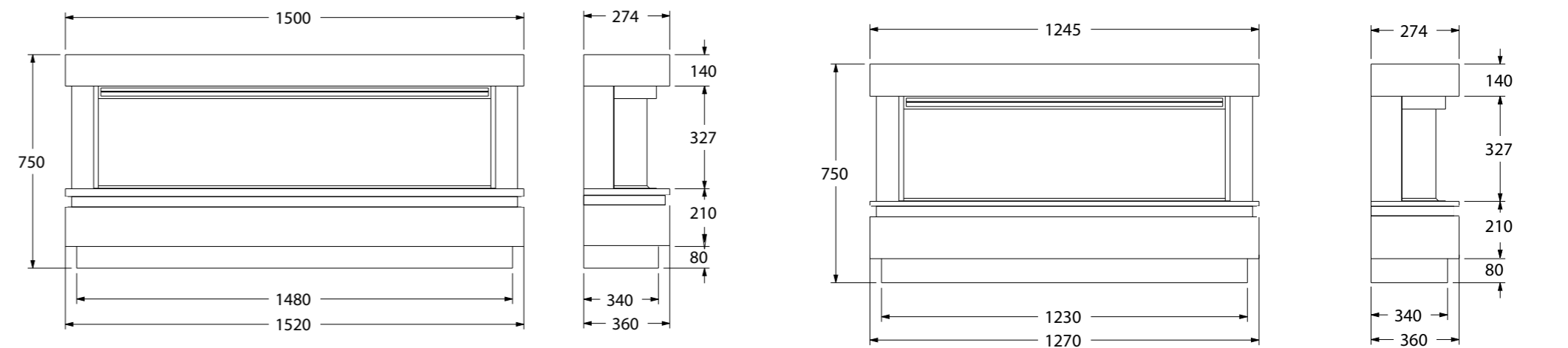
SUITE DIMENSIONS

Measurements in millimetres



DLX MONROE 1250

DLX MONROE 1000

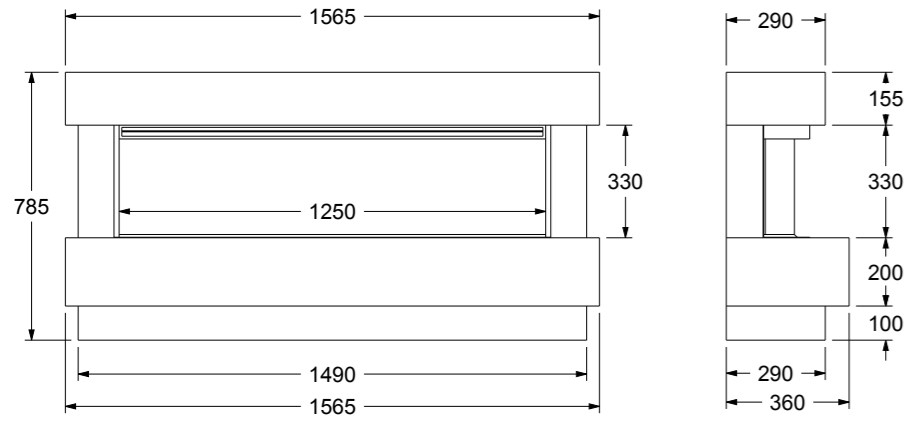


E-VR SINATRA 1250

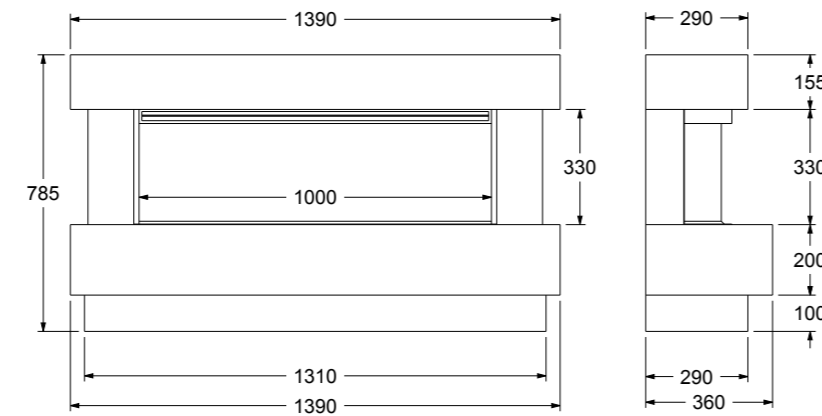
E-VR SINATRA 1000

SUITE DIMENSIONS

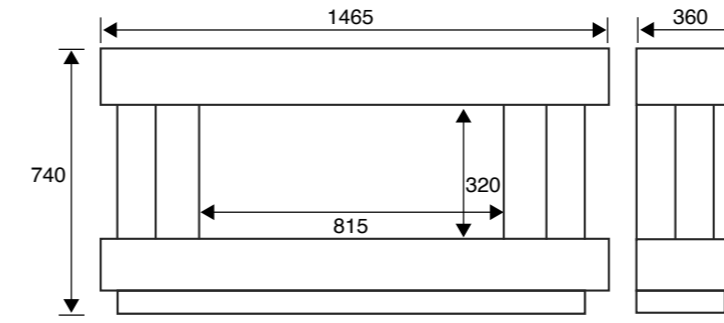
Measurements in millimetre



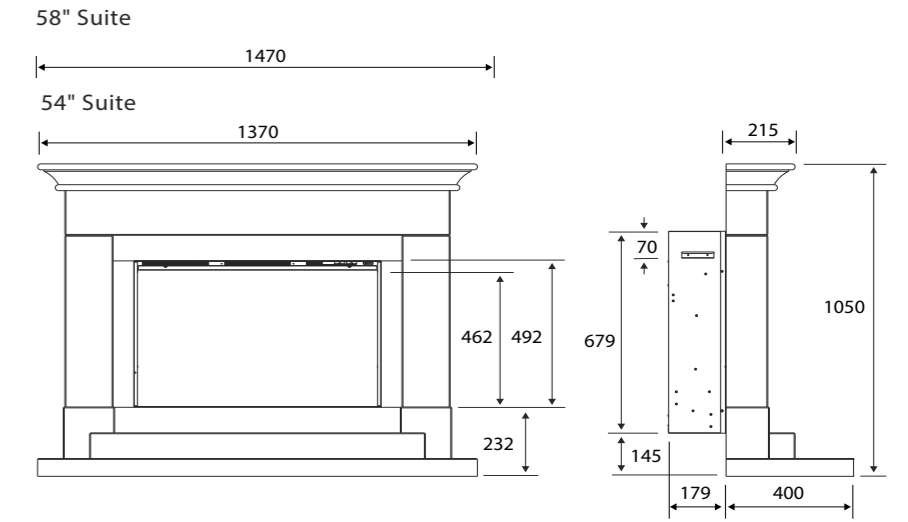
E-VR QUANTUM 1250



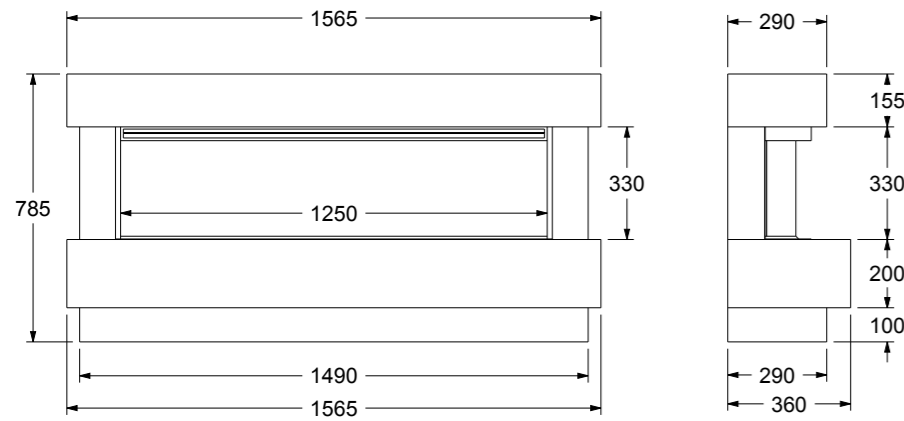
E-VR QUANTUM 1000



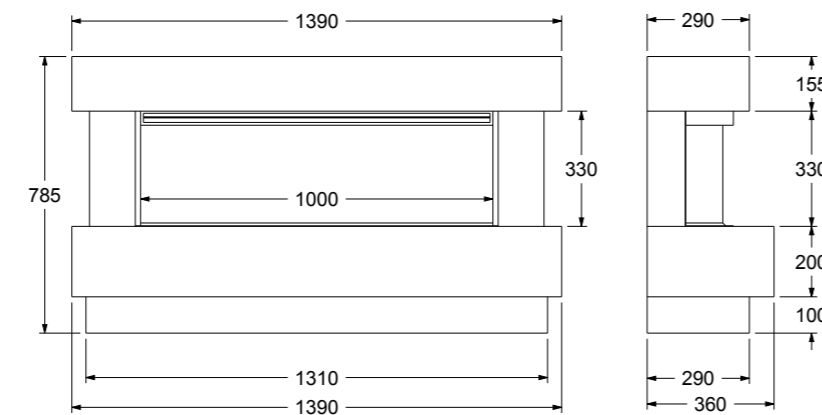
U-VR TORRONTO 800



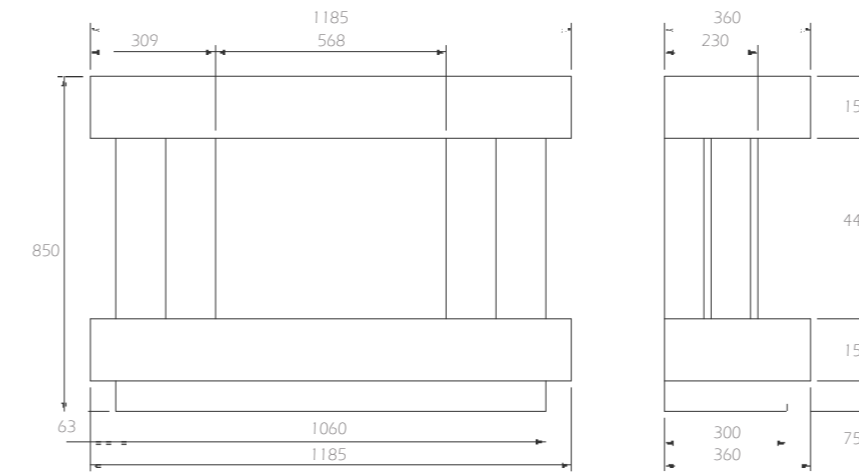
DLX ALEESIA 750



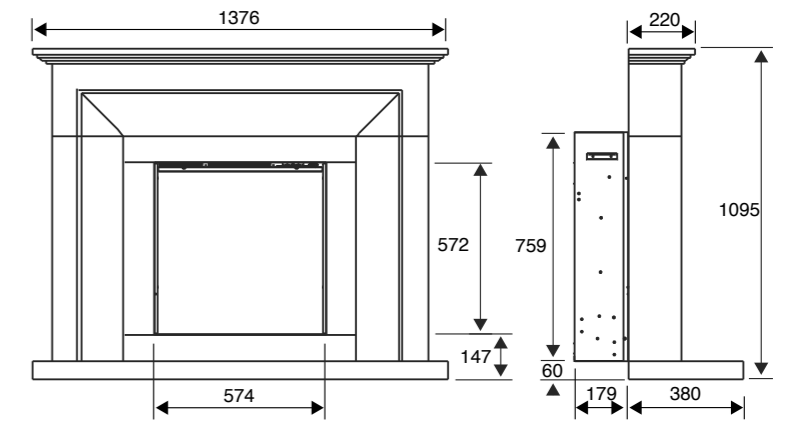
E-VR CASINO 1250



E-VR CASINO 1000

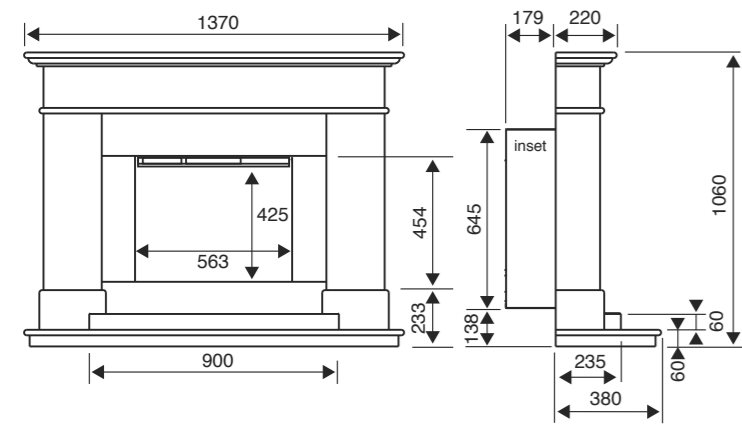


DLX TORRONTO 600

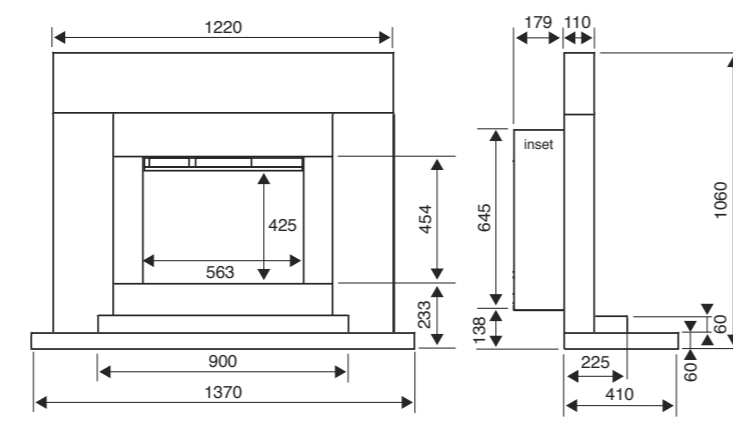


DLX ASENCIO 600XT

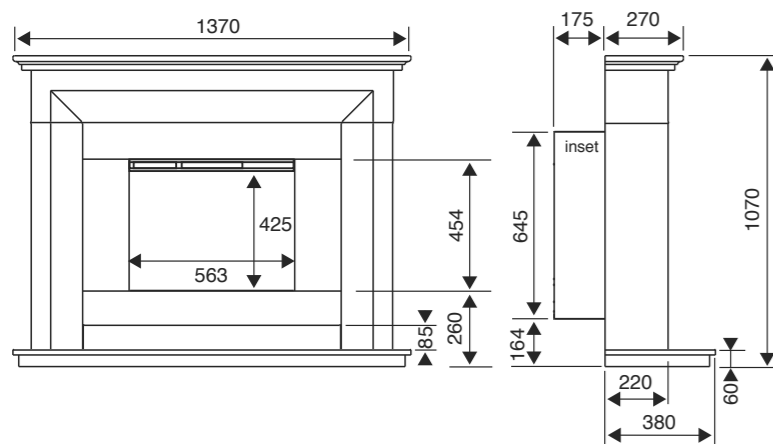
SUITE DIMENSIONS



DLX ANGELO 600



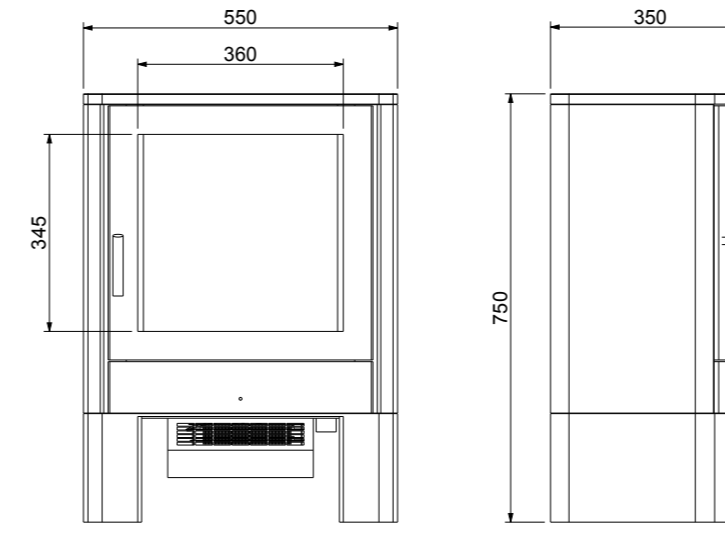
DLX PABLO 600



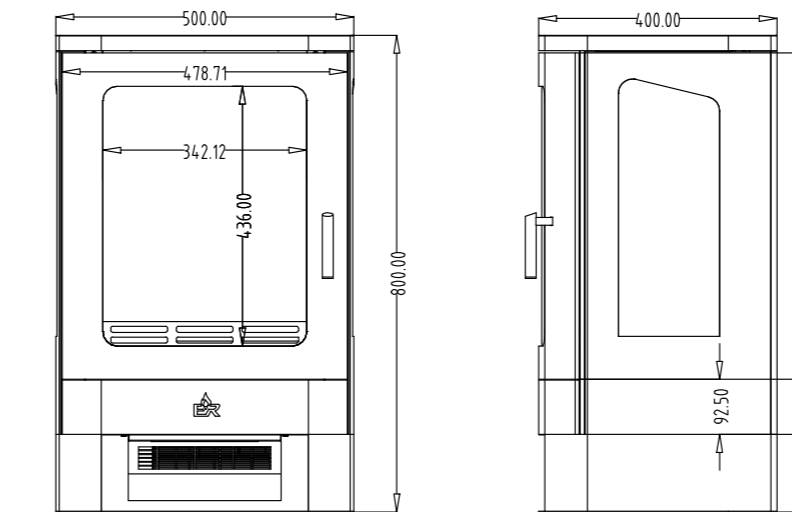
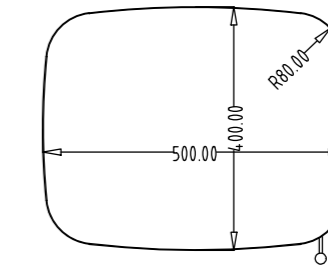
DLX BOTICELLI 600

STOVE DIMENSIONS

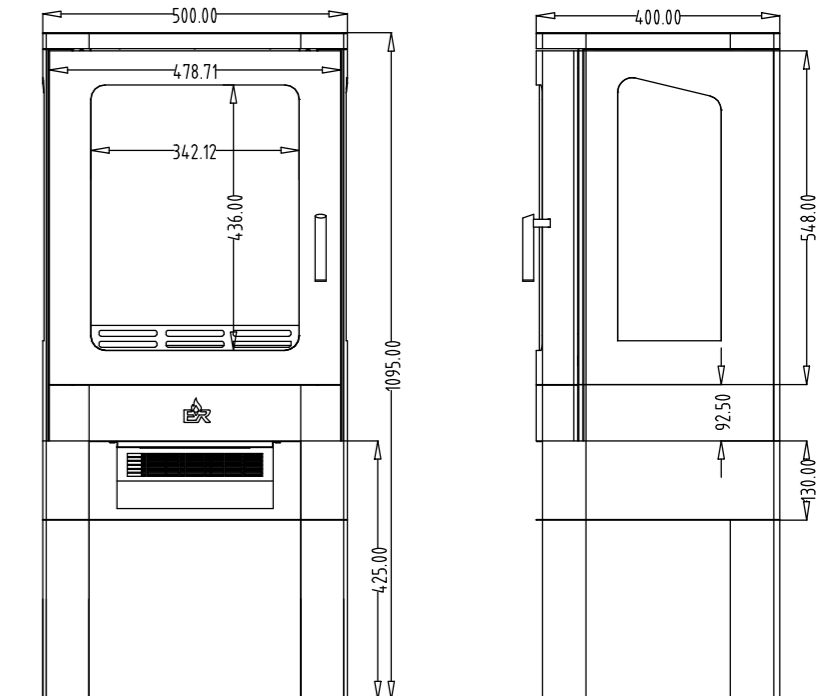
Measurements in millimetres



HOLOGRAM GENESIS



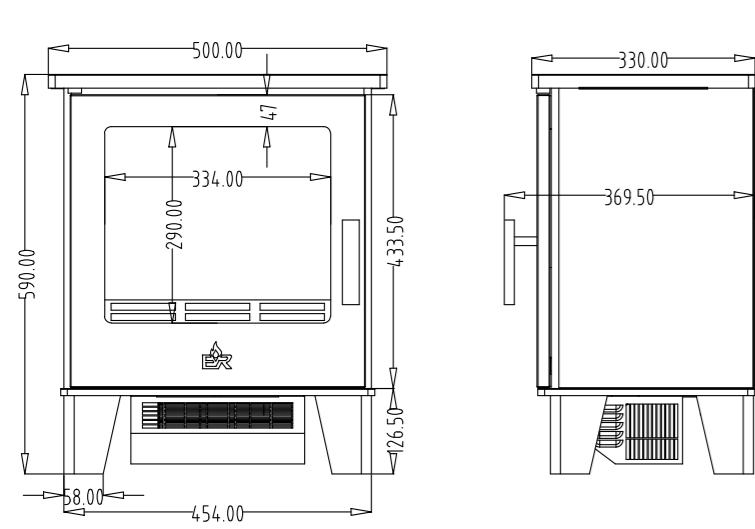
E-VR SPECTOR



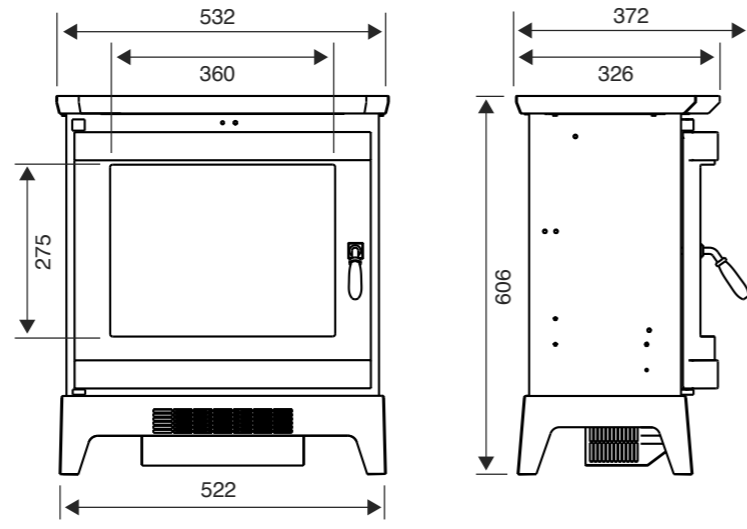
E-VR SPECTOR LS

STOVE DIMENSIONS

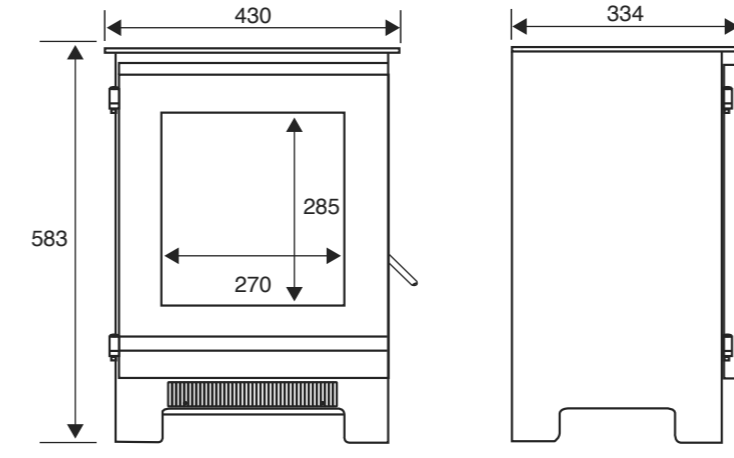
Measurements in millimetres



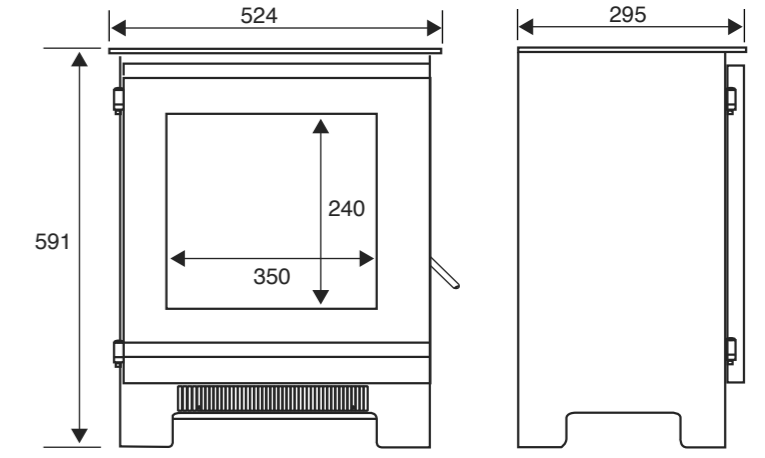
E-VR STRATFORD



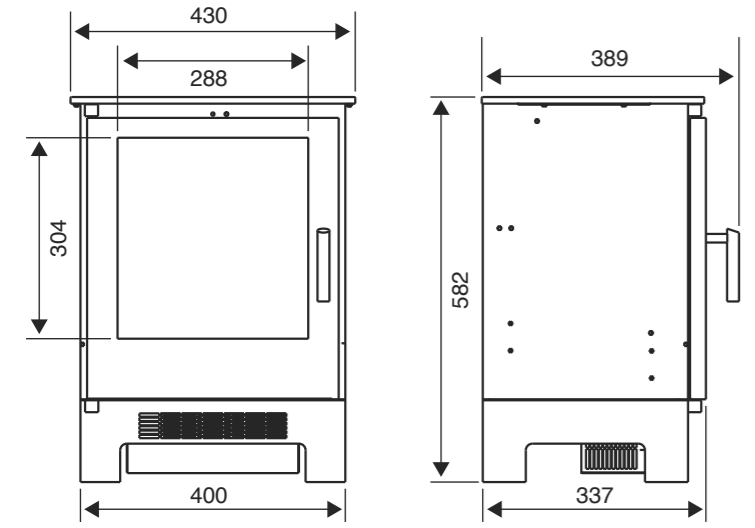
E-VR ROCHESTER



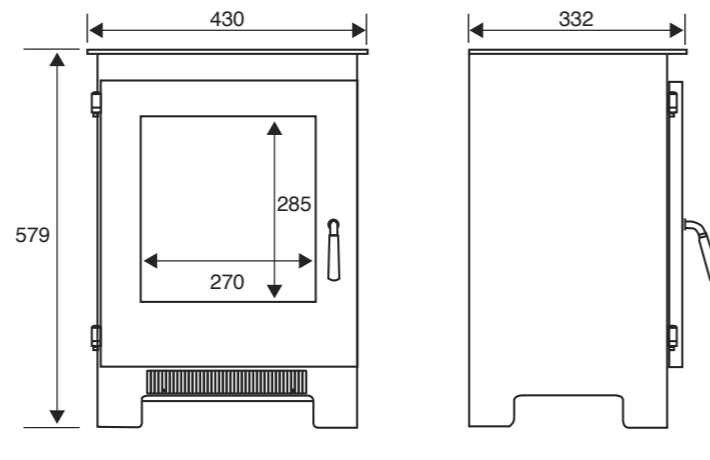
E-XD GLASS 1



E-XD GLASS 2



E-VR ARUNDEL



E-XD METAL 1

DISCLAIMER

Our policy is one of constant development and improvement. We therefore reserve the right to revise designs and specifications of our products without formal notice, patents pending. We always recommend our products to be viewed in an approved showroom before purchase. Whilst we have taken every care in the preparation of this brochure it is not intended to replace the installation manual which provides more detailed information.

Photography is for illustration purposes only and although every effort has been made to ensure accurate reproduction of typical installations and flame pictures they may vary according to fire model and installation methods.

We recommend that all our fires are used in conjunction with central heating and not as a primary source of heat. In the interests of personal safety a suitable fireguard is recommended when children, the elderly and the infirm are present.

We accept no liability for any loss or damage arising directly or indirectly from the use of this brochure. This brochure is copyright protected and must not be reproduced in whole or in any part without prior written permission.



www.celsielectricfires.co.uk

Go direct to the Celsi website on your smart phone or tablet device and use the app to scan the black and white QR codes shown on each page. Alternatively, go to www.celsielectricfires.co.uk to browse all Celsi electric fires.



BFM Europe Ltd, Gordon Banks Drive, Trentham Lakes, Stoke-on-Trent ST4 4TJ
Tel: 01782 339000 Email: sales@bfm-europe.com

