

THE  
COLLECTION

---

by Michael Miller

25

YEAR GUARANTEE



LEADING BY DESIGN

# THE COLLECTION

by Michael Miller

Beauty, warmth, a work of art... discover The Collection

---



When I imagine my ideal home, I imagine the perfect combination of form and function. And right at the heart of my home, a fire that impresses me with its looks, its innovation and its energy efficiency.

A fire is never just a fire. It's a statement of style that brings a home to life.

So, we've crafted this stunning collection of unique gas fires – each of them created to offer you the highest quality and superb energy efficiency.

They look beautiful; they work beautifully.

I'm proud of The Collection, and I have absolute confidence in the quality, reliability and durability – so much confidence, in fact, that I offer a full 25 year guarantee.

You'll find more details about our guarantee in this brochure, along with all the inspiration and information you need. I hope you enjoy choosing your new fire.

A handwritten signature in black ink that reads "Michael Miller".





## Contents

- 5 Introduction & 25 year guarantee
- 6 High efficiency gas fires
- 7 Product testing and certification

### THE COLLECTION

- |  |   |
|--|---|
| 8 Da Vinci Illumia MD Suites                   | 30 Eden Elite & Slimline BF                       |
| 10 Da Vinci Illumia Slimline BF Suite          | 32 Avignon Eden Elite Suite & Slimline BF Suite   |
| 12 Boticelli Illumia Slimline BF Suite         | 34 Parada Elite Illumia Suite & Slimline BF Suite |
| 14 Aleesia                                     | 36 Atina HE                                       |
| 16 Aleesia Illumia Suite                       | 38 Parada Illumia Suite                           |
| 18 Asencio                                     | 40 Carmelo HE                                     |
| 20 Asencio Suite                               | 42 Eden HE  |
| 22 Celena & Slimline BF                        | 44 Luxe   |
| 24 Boticelli Celena Suites & Slimline BF Suite | 46 Passion HE Suite                               |
| 26 Angelo Celena Suite                         | 48 Passion HE & Accessories                       |
| 28 Pablo Celena Suite                          |   |

- |                       |                                |
|-----------------------|--------------------------------|
| 50 Fire Dimensions    | 53 Suite Dimensions            |
| 53 False Chimney Kits | 59 Balanced Flue Installations |

### ▶ ONLINE VIDEO

Wherever you see this symbol, use the QR code scanner app on your smartphone or mobile device to watch a short video of this fire.

## Style and efficiency... crafted in Britain

Turn the pages of this brochure, and you'll see stunning fires with the power to transform a room - fabulous two-sided models, sleek 'wall inset' designs and easy-to-install fires that don't require a chimney.

Each of our models starts from a design concept nurtured by our research and development team. Before we even start to manufacture, the model is assessed and approved by leading independent organisations. Each fire is then made with the utmost care in our state-of-the-art development and manufacturing site here in the UK. And only when a fire has been rigorously checked by our quality control department does it leave our hands.

Choose a fire from The Collection, and you can rest assured the beauty is more than skin-deep. Behind the sleek glass and warming flames lie technological innovation and dedicated craftsmanship, backed by a 25 year guarantee.



Every gas fire in The Collection carries a 25 year Comprehensive Guarantee† providing you with reassurance and peace of mind for many years to come.

This means that we will guarantee your fire for 25 years against manufacturing and material defects, including parts and labour, subject to our 'Conditions of guarantee' including annual service and annual replacement of the oxy-pilot/ thermocouple assembly.

We offer this guarantee, unlike any other gas fire manufacturer, as a sign of our commitment to the highest standards of build quality, safety and performance. In line with gas industry practice, we advise that all our gas fires are installed and serviced annually\* by a Gas Safe Register engineer to ensure continued safe operation and optimum performance throughout the lifetime of the product.

† Applicable only to gas fire engines. Fire Surrounds and fascias carry a 12 month guarantee. \* This is also a requirement of your 25 year Guarantee.





## high efficiency

---

BFM Europe Ltd has always had a reputation as a manufacturer of some of the most efficient fires on the market. Now we are setting new industry standards with The Collection by Michael Miller range and providing exceptional heat output combined with lower running costs compared to standard gas fires.

All gas fires in this range feature a glass panel across the front of the fire which radiates the heat generated from the fuel bed directly into the room. The glass panel concentrates the radiant heat generated by the flame effect and projects it directly into the room to ensure that more heat is used to warm the room and less is lost through the chimney.

This radiant heat is combined with convected heat which is produced by cool air drawn into the fire through the heat exchanger and emitted as warm air through the gap above the canopy. Making our gas fires some of the most efficient available.

Many of the fires found in this brochure have a balanced flue system, designed for those who want all the benefits of a gas fire but don't have a built in chimney or flue in their home. They work in much the same way as our conventional flue fires but come with their own flue terminal which is vented directly through an outside wall or via the roof of your home. Several of our balanced flue fires can be purchased with either a horizontal or vertical flue kit to give you more flexibility in the location of your fireplace.

More information about balanced flue kits can be found on pages 58-59.



## Product Testing & Certification

All our gas fires are independently tested, approved and verified by the British Standards Institution (BSI) to meet the latest standards for performance, safety and efficiency.

BSI is an independent organisation. They are not owned by the government, industry or shareholders, which means that they can be totally objective with regards testing and certification. This gives their assessments more authority than those of an organization that has a vested interest in promoting its members.

They have some of the most experienced and knowledgeable staff in the world and are recognised internationally for their technical expertise, quality services and in-depth knowledge of gas and electrical product testing and certification.

The wide-ranging capability of their testing facilities and the broad expertise and knowledge of their testing and certification staff ensures our products are rigorously tested with the utmost integrity.



### ECODESIGN COMPLIANT

This logo signifies that the product is fully compliant with the Eco design directive Commission Regulation (EU) 2015/1188.



### CRAFTED IN BRITAIN

Every gas fire in The Collection by Michael Miller range is developed and manufactured in Britain at our purpose built state-of-the-art facility in Staffordshire.





MM-44 INTEGRATED DUAL FLAME BURNER TECHNOLOGY

## Da Vinci Illumia MD Suites

The Da Vinci Mid-depth Gas Fire is now available in three Limestone Illumia Suites, the Classically designed Giuliano, the Da Vinci, and the more contemporary Monet, all sure to be the centre of attention in any home. The fire provides highly realistic logs, paired with the latest MM-44 Dual Burner Technology, delivering log burning flame integration set against a beautiful black enamel, or black & onyx grey ceramic glass interior.

These Suites are available as conventional flue models, suitable for installation into any standard brick chimney or pre-fabricated flue, with a maximum heat output of 6.8kW. Each surround features controllable inset decorative lights, and the fire features include our multi-functional remote control system with thermostatic and timer functions. Non-reflective glass provides an exceptionally clear vision of this most natural and truly vibrant living flame gas fire.

\*A 240V mains electricity supply is required to power the remote control system.

### SPECIFICATION

		CONVENTIONAL FLUE
		Natural Gas
Useful energy efficiency		71.9%
Energy efficiency class		E
Direct heat output		6.8kW
Flue		Brick Chimney or pre-fabricated flue
Control		Multifunctional Remote Control
Fire Model Number	Black Enamel	DDCLRBRN3
	Black & Onyx Grey	DDCLNIRN2-BGY
Surround Model Number	Da Vinci	B-163210
	Monet	B-1001448
	Giuliano	B-1011151



DA VINCI ILLUMIA MD SUITE  
BLACK ENAMEL INTERIOR



MONET ILLUMIA MD SUITE  
BLACK ENAMEL INTERIOR







ZIG-ZAG FLAME BURNER TECHNOLOGY

## Da Vinci Illumia Slimline BF Suite

The stunning Da Vinci Limestone surround is now available in a Slimline Balanced Flue model. This highly efficient log effect fire can be easily installed in to most standard wall cavities and comes with a choice of interior panels available in deep black enamel, or rustic brick.

A non-reflective glass front provides a flawless flame picture which can be enhanced using integrated down-lights.

\*A 240V mains electricity supply is required to power the remote control system.



RUSTIC BRICK INTERIOR

### SPECIFICATION

		SLIMLINE BALANCED FLUE
		Natural Gas
Useful energy efficiency		87.2%
Energy efficiency class		C
Direct heat output		4.3kW
Flue		Horizontal
Control		Multifunctional Remote Control
Fire Model Number	Black Enamel	DSBLEBRN
	Rustic Brick	DSBLBBRN
Surround Model Number	Limestone	B-179310





## Boticelli Illumia Slimline BF Suite

The Boticelli Slimline Balanced Flue Gas Fire Suites have been cleverly designed for easier installation in to most wall cavities without the need to build a false chimney breast to accommodate the depth of the engine. They also feature a non-reflective glass front panel which is virtually invisible to the naked eye. The fire surround is made from Portuguese Limestone and has integrated down-lights which are operated from the fires remote control handset.

\*A 240V mains electricity supply is required to power the remote control system.



RUSTIC BRICK INTERIOR



ZIG-ZAG FLAME BURNER TECHNOLOGY

### SPECIFICATION

		SLIMLINE BALANCED FLUE
		Natural Gas
Useful energy efficiency		87.2%
Energy efficiency class		C
Direct heat output		4.3kW
Flue		Horizontal
Control		Multifunctional Remote Control
Fire Model Number	Black Enamel	DSBLEBRN
	Rustic Brick	DSBLBBRN
Surround Model Number	Limestone	B-179840







BLACK & MARBLE GOLD CERAMIC INTERIOR

## Aleesia

The Aleesia is a highly efficient landscape gas fire that benefits from virtually invisible non-reflective glass, along with naturally detailed realistic logs.

Captivating flames flow throughout the fuel effect which is beautifully enhanced by a choice of interior liners available in ceramic glass, black enamel, cream vermiculite, or rustic brickwork effect.

Fascias for this product are available in a dual metallic finish of Black Nickel & Black, or Black Nickel & Chrome.

This fire is operated by a multifunctional remote control system with thermostatic and timer functions allowing you to pre-set your desired room temperature and control when the fire turns on and off.

\*A 240V mains electricity supply is required to power the remote control system.

Battery conversion kit available.

### SPECIFICATION

		CONVENTIONAL FLUE
		Natural Gas
Useful energy efficiency		74.8%
Energy efficiency class		E
Direct heat output		4.2kW
Flue		Brick Chimney or pre-fabricated flue
Control		Multifunctional Remote Control
Model Number	Black Enamel	DDALBERN
	Cream Vermiculite	DDALVTRN
	Rustic Brick	DDALBRRN
	Black & Marble Gold	DDALNIRN-BGD
	Black & Onyx Grey	DDALNIRN-BGY



RUSTIC BRICK INTERIOR  
BLACK NICKEL & BLACK FASCIA



BLACK ENAMEL INTERIOR  
BLACK NICKEL & CHROME FASCIA



CREAM VERMICULITE INTERIOR  
BLACK NICKEL & BLACK FASCIA







BLACK & ONYX GREY CERAMIC INTERIOR

## Aleesia Illumia Suite

The Aleesia Illumia features a classically styled Limestone surround with built in decorative lights. This efficient landscape gas fire benefits from virtually invisible non-reflective glass, along with naturally detailed realistic logs.

Captivating flames flow beautifully throughout the log fuel bed and is further enhanced by a choice of interior liners available in ceramic glass, black enamel, cream vermiculite, or rustic brickwork effect.

Operated by a multifunctional remote control system with thermostatic and timer functions, this fire allows you to pre-set your desired room temperature and control when it turns on and off.

Available surround widths are 58 inches, or 54 inch to fit smaller rooms or a narrow chimney breast.

\*A 240V mains electricity supply is required to power the remote control system.

Battery conversion kit available.

### SPECIFICATION

		CONVENTIONAL FLUE
		Natural Gas
Useful energy efficiency		74.8%
Energy efficiency class		E
Direct heat output		4.2kW
Flue		Brick Chimney or pre-fabricated flue
Control		Multifunctional Remote Control
Fire Model Number	Black Enamel	DDALBERN
	Cream Vermiculite	DDALVTRN
	Rustic Brick	DDALBBRN
	Black & Marble Gold	DDALNIRN-BGD
	Black & Onyx Grey	DDALNIRN-BGY
Surround Model Number	Limestone 54"	B-1005331
	Limestone 58"	B-1009068



RUSTIC BRICK INTERIOR



BLACK ENAMEL INTERIOR



CREAM VERMICULITE INTERIOR







BLACK & MARBLE GOLD CERAMIC INTERIOR

## Asencio

The Asencio gas fire has been designed to look beautiful and perform brilliantly. Accommodating tall flowing flames ascending from natural appearance logs, this fire provides a sensational fuel effect showcase for your living area.

A thermostatic remote control system allows you to select the times you want the fire to automatically turn on or off with pre-set temperature functionality to select your desired heating comfort level.

Featuring non-reflective glass this highly efficient gas fire has a direct heat output of 4.0kW, and is available with a choice of interior liners available in ceramic glass, black enamel, cream vermiculite, or rustic brickwork effect.

Installation is suitable for most standard chimneys.

### SPECIFICATION

		CONVENTIONAL FLUE
		Natural Gas
Useful energy efficiency		77.1%
Energy efficiency class		D
Direct heat output		4.0kW
Flue		Brick Chimney or pre-fabricated flue
Control		Fully Automatic Remote with Thermostatic Control
Model Number	Black Enamel	DDCLBERN2
	Rustic Brick	DDCLBSRN2
	Cream Vermiculite	DDCLVTRN2
	Black & Marble Gold	DDCLNIRN2-BGD
	Black & Onyx Grey	DDCLNIRN2-BGY



RUSTIC BRICK INTERIOR  
BLACK NICKEL & CHROME FASCIA



BLACK ENAMEL INTERIOR  
CHROME FASCIA



CREAM VERMICULITE INTERIOR  
BLACK FASCIA







BLACK & ONYX GREY CERAMIC INTERIOR

## Asencio Suite

Straight lines and soft curves adorn this Limestone surround creating modern aesthetics that is further complemented when teamed with the tastefully designed Asencio gas fire.

This contemporary suite combination is a firm favourite for homeowners seeking a luxurious and impressive high performance fireplace.

Featuring non-reflective glass and 4.0kW of heat output, this fire comes with a choice of interior liners available in ceramic glass, black enamel, cream vermiculite, or rustic brickwork effect.



RUSTIC BRICK INTERIOR



BLACK ENAMEL INTERIOR



CREAM VERMICULITE INTERIOR

### SPECIFICATION

		CONVENTIONAL FLUE
		Natural Gas
Useful energy efficiency		77.1%
Energy efficiency class		D
Direct heat output		4.0kW
Flue		Brick Chimney or pre-fabricated flue
Control		Fully Automatic Remote with Thermostatic Control
Fire Model Number	Black Enamel	DDCLBERN2
	Rustic Brick	DDCLBSRN2
	Cream Vermiculite	DDCLVTRN2
	Black & Marble Gold	DDCLNIRN2-BGD
	Black & Onyx Grey	DDCLNIRN2-BGY
Surround Model Number	Limestone	B-1005971





CONVENTIONAL FLUE  
 WHITE & STONE GREY CERAMIC INTERIOR  
 BLACK NICKEL & CHROME FASCIA



BLACK ENAMEL INTERIOR

## Celena & Slimline BF

The Celena gas fire has been designed with perfect proportions to give you a large flame viewing area yet still enable installation in to most standard chimneys.

This highly efficient, non-reflective glass fronted fire has a direct heat output of up to 3.9kW. It is operated by a fully automatic remote control system which allows you to select the times you want the fires to automatically turn on and turn off and includes a thermostatic setting to allow you to pre-set your desired room temperature.

The conventional flue model features a raised chunky log fuel effect. The slimline balanced flue option features a slimmer log fuel effect. Operated by fully automatic remote-control, this system allows you to select the times you want the fires to automatically turn on and turn off, and includes a thermostatic setting to allow for desired pre-set room temperature.

\*Slimline balanced flue model requires a spacer when installing into a standard cavity wall.



SLIMLINE BALANCED FLUE  
 BLACK ENAMEL INTERIOR  
 CHROME FASCIA



CONVENTIONAL FLUE  
 RUSTIC BRICK INTERIOR  
 BRASS FASCIA



CONVENTIONAL FLUE  
 CREAM VERMICULITE INTERIOR  
 BLACK FASCIA

### SPECIFICATION

	CONVENTIONAL FLUE		SLIMLINE BALANCED FLUE	
	Natural Gas	LPG	Natural Gas	
Useful energy efficiency	79.3%	78.5%	90.5%	
Energy efficiency class	D	D	B	
Direct heat output	3.8kW	3.9kW	3.9kW	
Flue	Brick Chimney or pre-fabricated flue		Horizontal	
Control	Fully Automatic Remote with Thermostatic Control			
Model Number	Black Enamel	DPRLBERN2B	DPRLBERP2B	DCBLBERNB
	Rustic Brick	DPRLBBRN2B	DPRLBBRP2B	DCBLBRRNB
	Cream Vermiculite	DPRLTVRN2B	DPRLTVRP2B	DCBLTVRNB
	White & Stone Grey	DPRLNIRN2B-WB	DPRLNIRP2B-WB	-

\*80mm Spacer I184-1001079A



CONVENTIONAL FLUE



SLIMLINE BALANCED FLUE





CONVENTIONAL FLUE  
LIMESTONE & BLACK GRANITE  
BLACK ENAMEL INTERIOR



SLIMLINE BALANCED FLUE FUEL EFFECT  
BLACK ENAMEL INTERIOR

## Boticelli Celena Suite & Slimline BF

The Boticelli Celena suite is designed to perfectly complement homes with traditional or modern styling. Classical surround features include pilaster legs with plinths, rolled edge framed mantle, and hearth with step detail. Suite is available in all natural Limestone, or a popular combination of Limestone and Black Granite.

The Boticelli Surround is companioned with the perfectly proportioned Celena gas fire - highly efficient, non-reflective glass fronted fire with a direct heat output of up to 3.9kW.

The conventional flue model features a raised chunky log fuel effect. The slimline balanced flue option features a slimmer log fuel effect. Operated by fully automatic remote-control, this system allows you to select the times you want the fires to automatically turn on and turn off, and includes a thermostatic setting to allow for desired pre-set room temperature.



CONVENTIONAL FLUE  
LIMESTONE  
RUSTIC BRICK INTERIOR



CONVENTIONAL FLUE  
LIMESTONE  
WHITE & STONE GREY INTERIOR



SLIMLINE BALANCED FLUE  
LIMESTONE  
CREAM VERMICULITE INTERIOR

### SPECIFICATION

	CONVENTIONAL FLUE		SLIMLINE BALANCED FLUE	
	Natural Gas	LPG	Natural Gas	
Useful energy efficiency	79.6%	78.5%	90.5%	
Energy efficiency class	D	D	B	
Direct heat output	3.8kW	3.9kW	3.9kW	
Flue	Brick Chimney or pre-fabricated flue		Horizontal	
Control	Fully Automatic Remote with Thermostatic Control			
Fire Model Number	Black Enamel	DPRLBERN2B	DPRLBERP2B	DCBLBERNB
	Rustic Brick	DPRLBBRN2B	DPRLBBRP2B	DCBLBBRNB
	Cream Vermiculite	DPRLTVRN2B	DPRLTVRP2B	DCBLTVRNB
	White & Stone Grey	DPRLNIRN2B-WB	DPRLNIRP2B-WB	-
Surround Model Number	Limestone	B-1009629		B-185720
	Limestone & Black Granite	B-1010467		-



CONVENTIONAL FLUE



BALANCED FLUE







CREAM VERMICULITE INTERIOR

## Angelo Celena Suite

The Angelo fire surround suite comes in top quality Portuguese Limestone and features a combination of straight lines and soft curves plus an attractive step hearth design for a contemporary look. There is also a stunning combined Portuguese Limestone and Black Granite option to suit those who desire a sensational contrasting finish.

Including the high performance Celena, this non-reflective glass fronted gas fire features a beautiful log fuel effect with up to 79.6% energy efficiency. Operated by fully automatic remote-control, this system allows you to select the times you want the fires to automatically turn on and turn off, and includes a thermostatic setting to allow for desired pre-set room temperature.



LIMESTONE  
RUSTIC BRICK INTERIOR



LIMESTONE  
WHITE & STONE GREY INTERIOR

### SPECIFICATION

	CONVENTIONAL FLUE		
	Natural Gas	LPG	
Useful energy efficiency	79.6%	78.5%	
Energy efficiency class	D	D	
Direct heat output	3.8kW	3.9kW	
Flue	Brick Chimney or pre-fabricated flue		
Control	Fully Automatic Remote with Thermostatic Control		
Fire Model Number	Black Enamel	DPRLBERN2B	DPRLBERP2B
	Rustic Brick	DPRLBBRN2B	DPRLBBRP2B
	Cream Vermiculite	DPRLTVRN2B	DPRLTVRP2B
	White & Stone Grey	DPRLNIRN2B-WB	DPRLNIRP2B-WB
Surround Model Number	Limestone	B-1010347	
	Limestone & Black Granite	B-1010829	







BLACK ENAMEL INTERIOR

## Pablo Celena Suite

For simplistic fireplace aesthetics, the Pablo Celena suite is the perfect choice. The sleek, minimalist styling and clean straight lines deliver impact and noticeable prominence. Made from the finest quality Portuguese Limestone this surround perfectly frames the high performance Celena gas fire.

Gas fire features include non-reflective glass, a beautiful log fuel effect with up to 79.6% energy efficiency. Operated by fully automatic remote-control, this system allows you to select the times you want the fires to automatically turn on and turn off, and includes a thermostatic setting to allow for desired pre-set room temperature.



WHITE & STONE GREY INTERIOR



CREAM VERMICULITE INTERIOR

### SPECIFICATION

		CONVENTIONAL FLUE	
		Natural Gas	LPG
Useful energy efficiency		79.6%	78.5%
Energy efficiency class		D	D
Direct heat output		3.8kW	3.9kW
Flue		Brick Chimney or pre-fabricated flue	
Control		Fully Automatic Remote with Thermostatic Control	
Fire Model Number	Black Enamel	DPRLBERN2B	DPRLBERP2B
	Rustic Brick	DPRLBBRN2B	DPRLBBRP2B
	Cream Vermiculite	DPRLTVRN2B	DPRLTVRP2B
	White & Stone Grey	DPRLNIRN2B-WB	DPRLNIRP2B-WB
Surround Model Number	Limestone	B-1009968	



## Eden Elite & Slimline BF

The Eden Elite is our slimmest wall inset gas fire with up to 85.6% energy efficiency and up to 4.9kW heat output. It is operated by a thermostatic remote control system to perfectly control your comfort.

The conventional flue model is designed to be easily installed into almost any chimney without compromising on the stunning log fuel effect and flame aesthetics. It comes in a choice of cream vermiculite or glossy black enamel back panel.

There is also a slimline balanced flue model for homes without a chimney or flue which is only available with a glossy black enamel back panel.

The Eden Elite is a non-reflective glass fronted fire that can be fitted with or without a fascia. Fascia options are available in brushed satin silver or black semi satin finish.

\*A 240V mains electricity supply is required to power the remote control system (Balanced flue only).



SLIMLINE BALANCED FLUE  
BLACK ENAMEL INTERIOR  
BRUSHED SATIN SILVER FASCIA



CONVENTIONAL FLUE  
CREAM VERMICULITE INTERIOR  
BLACK FASCIA



### SPECIFICATION

	CONVENTIONAL FLUE		SLIMLINE BALANCED FLUE
	Natural Gas	LPG	Natural Gas
Useful energy efficiency	78.6%	69%	85.6%
Energy efficiency class	D	E	C
Direct heat output	4.9kW	4.3kW	3.7kW
Flue	Brick Chimney or pre-fabricated flue		Horizontal
Control	Fully Automatic Remote with Thermostatic Control		
Model Number	Black Enamel	DEELELRNB	DEELELRPB
	Cream Vermiculite	DEELVLRNB	-





## Avignon Eden Elite Suite & Slimline BF 54 & 58

This stunning fireplace suite comprises the classically styled Avignon surround in 54" or 58" wide versions, is made from high quality natural Portuguese Limestone and includes the fabulous Eden Elite gas fire.

The slimline balanced flue option is suitable for installation into homes without a brick chimney or pre-fabricated flue and has an impressive energy efficiency of 85.6% and 3.7kW heat output. It features a glossy black enamel back panel.

The conventional flue option comes with a choice of glossy black enamel or cream vermiculite back panels and features a stunningly realistic raised log fuel effect. It has an energy efficiency of 78.6% and impressive heat output of up to 4.9kW.

Both models benefit from non-reflective glass and are operated by a thermostatic remote control system so you can maintain a comfortable room temperature at the touch of a button.

\*A 240V mains electricity supply is required to power the remote control system (Balanced flue only).



SLIMLINE BALANCED FLUE  
54" BLACK ENAMEL INTERIOR



### SPECIFICATION

	CONVENTIONAL FLUE		SLIMLINE BALANCED FLUE	
	Natural Gas	LPG	Natural Gas	
Useful energy efficiency	78.6%	69%	85.6%	
Energy efficiency class	D	E	C	
Direct heat output	4.9kW	4.3kW	3.7kW	
Flue	Brick Chimney or pre-fabricated flue		Horizontal	
Control	Fully Automatic Remote with Thermostatic Control			
Model Number	Black Enamel 54"	DEEELRN890	DEEELRP890	DBELEBRN722
	Cream Vermiculite 54"	DEELVLRN890	-	-
	Black Enamel 58"	DEEELRN910	DEEELRP910	DBELEBRN779
	Cream Vermiculite 58"	DEELVLRN910	-	-





SLIMLINE BALANCED FLUE  
58L BLACK ENAMEL INTERIOR



## Parada Elite Illumia Suite & Slimline BF 54L & 58L

The Parada Elite suite features a stunning Portuguese Limestone surround and a contemporary non-reflective glass fronted gas fire. The fire surround is complemented by integrated down lights and is available in both 54" and 58" wide versions.

The conventional flue fire comes with a choice of glossy black enamel or cream vermiculite interior. The slimline balanced flue fire is available with a glossy black enamel interior. Both fires feature a stunningly realistic log fuel effect and multifunctional remote control operation.

\*A 240V mains electricity supply is required to power the remote control system.



CONVENTIONAL FLUE  
54L CREAM VERMICULITE INTERIOR

### SPECIFICATION

		CONVENTIONAL FLUE	SLIMLINE BALANCED FLUE
		Natural Gas	
Useful energy efficiency		78.6%	85.6%
Energy efficiency class		D	C
Direct heat output		4.9kW	3.7kW
Flue		Brick Chimney or pre-fabricated flue	Horizontal
Control		Multifunctional Remote Control	
Fire Model Number	Black Enamel	DPELELRN	DBELEBRN
	Cream Vermiculite	DPELVLRN	-
Surround Model Number	Limestone 54"	B-185740	
	Limestone 58"	B-185750	



CONVENTIONAL FLUE



SLIMLINE BALANCED FLUE







## Atina HE

For moderate sized living spaces the petite proportions of the Atina HE will accommodate beautifully. This wall inset gas fire can be installed with a choice of two fuel effects, simple white stones or a natural arrangement of realistically detailed logs. Bright flames really showcase this fire and provide stunning reflection, high contrast and repeated depth sensationally displayed against the black enamel interior.

This fire can be finished with a choice of modern fascia, or if a minimalistic look in your home is preferred you can opt to have a trimless installation.

The Atina HE features a heat output of 3.3kW and is controlled by a fully sequential remote control system\* with thermostatic operation so you can always maintain a comfortable room temperature that suits you.

\*A 240V mains electricity supply is required to power the remote control system.



WHITE STONES  
TRIMLESS



LOGS  
WIDE ANTIQUE BRASS FASCIA

### SPECIFICATION

		CONVENTIONAL FLUE
		Natural Gas
Useful energy efficiency		70.8%
Energy efficiency class		F
Direct heat output		3.3kW
Flue		Brick Chimney or pre-fabricated flue
Control		Fully Automatic Remote with Thermostatic Control
Model Number	Log/White Stones	DHAL00RN2B





## Parada Illumia 54S Suite

The Parada Illumia 54S is a small fireplace which makes a big impact. Available in Limestone the surround has been characteristically designed to look at home in both modern and traditional settings.

This high efficiency, glass fronted gas fire features a choice of two fuel effects, simple white stones or a natural arrangement of realistically detailed logs. The glossy black enamel interior and mesmerising flames further enhance the beauty of this product creating reflecting contrast with added depth perception.

The fire is operated by a multifunction remote control system with thermostatic and timer functions which allow you to pre-set your desired room temperature and the time that the fire turns on and turns off. The remote handset is also used to operate decorative halogen lighting which is built in to the stone surround.

The smaller proportions of the Parada Illumia 54S ensures it will fit most standard chimney breasts.

\*A 240V mains electricity supply is required to power the remote control system.

### SPECIFICATION

		CONVENTIONAL FLUE
		Natural Gas
Useful energy efficiency		70.8%
Energy efficiency class		F
Direct heat output		3.3kW
Flue		Brick Chimney or pre-fabricated flue
Control		Multifunctional Remote Control
Fire Model Number		DHAL00RN2
Surround Model Number	Limestone	B-163240



WHITE STONES FUEL EFFECT







## Carmelo HE

With its large size and enchanting flame picture the Carmelo HE hole in the wall balanced flue gas fire is certainly a show-stopper and it provides exceptional performance too.

If you're looking for luxury combined with exceptional heat output then the Carmelo HE is the ideal gas fire for you. With a viewing area measuring 1145mm along with an enchanting flame picture reflecting in its glossy black enamel interior, this hole in the wall balanced flue gas fire has a heat output of 6.4kW and 75.4% Useful energy efficiency, providing exceptional performance too.

What's more this fire can be installed almost anywhere in the home since it uses a balanced flue system with a choice of horizontal flue, vertical flue or chimney conversion flue kits available to choose from. Both log and white stone fuel effects are supplied with every fire.

\*A 240V mains electricity supply is required to power the remote control system.

### SPECIFICATION

	BALANCED FLUE
	Natural Gas
Useful energy efficiency	75.4%
Energy efficiency class	E
Direct heat output	6.4kW
Flue	Horizontal and Vertical Kits and Chimney Conversion Kit available
Control	Fully Automatic Remote with Thermostatic Control
Model Number	DCML00RN2





## Eden HE

This glass fronted landscape wall inset gas fire has an incredible 83% energy efficiency and up to 5.2kW heat output. It features tall flames beautifully set within a glossy black enamel interior creating stunning contrast with enchanting natural movement.

The Eden HE comes with a choice of log or white stone fuel effect and has been designed as a trimless fire for a very minimalist appearance, or can be teamed with an optional slimline fascia for

a more prominent centrepiece.

\*A 240V mains electricity supply is required to power the remote control system.



WHITE STONES  
CHROME SLIMLINE FASCIA



### SPECIFICATION

	CONVENTIONAL FLUE
	Natural Gas
Useful energy efficiency	83%
Energy efficiency class	D
Direct heat output	5.2kW
Flue	Brick Chimney or pre-fabricated Flue
Control	Fully Automatic Remote with Thermostatic Control
Model Number	DHVG00RN2B







ZIG-ZAG FLAME BURNER TECHNOLOGY

## Luxe

A combination of elegance and performance makes the Luxe an extremely desirable gas fireplace. Its perfectly proportioned glass frame provides a three-side view of one of the most stunning flame effects available today.

The Luxe features a driftwood fuel effect with glowing embers and a glossy black enamel back panel which reflects its enchanting flames, and is operated by a stylish remote control handset with a thermostatic function which allows you to pre-set your desired temperature level so that you are never too cold or too warm.

This balanced flue gas fireplace can be purchased with a choice of horizontal or vertical flue kit so can be installed almost anywhere in your home and offers an exceptional 76.4% net energy efficiency with a heat output of 6.7kW.

Installation of the appliance is made easy with integrated adjustable legs and the option to purchase a false chimney kit consisting of metal studwork which can be clad with the fitters' choice of high temperature board. (see page 53 for further details).

**\*A 240V mains electricity supply is required to power the remote control system.**

### SPECIFICATION

	BALANCED FLUE
	Natural Gas
Useful energy efficiency	76.4%
Energy efficiency class	E
Direct heat output	6.7kW
Flue	Horizontal or Vertical
Control	Multifunctional Remote Control
Model Number	DCHLLXRN

\*Not supplied by BFM





## Passion HE Suite

The Passion HE Suite combines a luxury hearth inset gas fire with a natural finished surround, available in a choice of Portuguese Limestone, or a popular choice of Limestone and black Granite. Designed with clean lines and modern bevels this suite is sure to make an impression in any home.

The fire has a large window for wide-angle viewing, and comes with superior flame vision non-reflective glass. For maximum comfort and control we have fitted a fully automatic thermostatic remote control system, enabling you to sit back, relax and enjoy the warmth, all at the touch of a button. Highly detailed ceramics provide an authentic appearance of a natural burning log fire, whilst the glossy black enamel interior provides high contrast behind bright flowing flames.

The Trim and Fret option is for those who enjoy a more traditional fire setting, for which we have combined the highly stylish Signature Trim, with the exclusive Bauhaus 151 Fret.

The one-piece Fascia option provides a more contemporary choice and comes with the uniquely designed MM Signature Fascia. Additional black enamelling is added to the exterior of the fire creating even more luxury aesthetics between the fascia and the flames.

Three popular colour finishes are available, Black Nickel & Black, Chrome & Black, Brass & Black.



LIMESTONE  
CHROME & BLACK SIGNATURE TRIM & BAUHAUS 151 FRET



LIMESTONE & BLACK GRANITE  
BRASS & BLACK SIGNATURE TRIM & BAUHAUS 151 FRET

### SPECIFICATION

		CONVENTIONAL FLUE		
		Natural Gas		
Control		Remote		
Useful energy efficiency		82.6%		
Energy efficiency class		C		
Direct heat output		4.0kW		
Flue		Brick Chimney or pre-fabricated flue		
Suite Model Number	Limestone & Black Granite	MM Signature Fascia		
		Black Nickel	Chrome	Brass
		DAGFBN	DAGFCH	DAGFBR
		Signature Trim & 151 Fret		
		DAGTBN	DAGTCH	DAGTBR
Suite Model Number	Limestone	MM Signature Fascia		
		DALFBN	DALFCH	DALFBR
		Signature Trim & 151 Fret		
		DALTBN	DALTCH	DALTBR





## Passion HE & Accessories

Passion HE is a market leading gas fire with the authentic look and feel of a real log fire, combining efficiency and performance with unique style and aesthetics.

Designed with large frame wide-angle viewing, this fire displays a lively fuel effect with natural ascending tall flames. Interior is available in glossy black enamel, or white & stone grey ceramic.

For optimum aesthetics this fire can be supplied with non-reflective glass that provides an astonishingly crystal-clear view of the fuel bed. For comfort and performance choose our fully automatic remote-control option.



BLACK ENAMEL INTERIOR  
ULTIMO TRIM  
CHROME & BLACK  
BAUHAUS 151 CHROME

WHITE & STONE GREY  
CERAMIC INTERIOR  
MM SIGNATURE FASCIA  
BLACK NICKEL & CHROME

### SPECIFICATION

		CONVENTIONAL FLUE		
		Natural Gas		LPG
Control		Manual	Remote	Remote
Useful energy efficiency		82.3%	82.6%	79.7%
Energy efficiency class		D	C	D
Direct heat output		4.0kW		3.6kW
Flue		Brick Chimney or pre-fabricated flue		
Black Enamel	Standard Glass	DLBL00MNB	DLBL00RNB	–
	Non Reflect Glass	–	DLBLNRRNB	DLBLNRRPB
White & Stone Grey	Standard Glass	DLBL00MNB-NIWG	DLBL00RNB-NIWG	–
	Non Reflect Glass	–	DLBLNRRNB-NIWG	DLBL00RPB-NIWG



## Trims

### STANDARD

Quality steel trims in a choice of four colours with a plated or painted finish.



Brass

Chrome

Satin Silver

Black

### SIGNATURE

The Signature is a quality steel fabricated trim in a range of metallic and paint finishes.



Brass & Black

Chrome & Black

Satin Silver & Chrome

Black Nickel & Chrome

Black Nickel & Black

### ULTIMO

The Ultimo is a cast iron trim with a black painted and optional colour plated finish.



Gold & Black

Chrome & Black

Black Nickel & Black

## Frets

### BAUHAUS 18"



Gold

Chrome

Satin Silver



Black Nickel

Black

### BAUHAUS 151



Gold

Chrome

Black Nickel

## Fascias

### ULTIMO 007

For a contemporary style we offer the Ultimo 007 one-piece fascia in three metallic colours.



Gold & Black

Chrome & Black

Black Nickel & Black

### MM SIGNATURE

The MM Signature is a one-piece fabricated steel fascia available in five colour choices.



Brass & Black

Chrome & Black

Satin Silver & Chrome

Black Nickel & Chrome

Black Nickel & Black

### EMBRACE

The Embrace is a one-piece cast iron fascia in a combination of black painted with optional colour plated finish.



Gold & Black

Chrome & Black

Black Nickel & Black

### ARCADIA

The Arcadia is a one-piece cast iron fascia in a combination of black painted with optional colour plated finish.



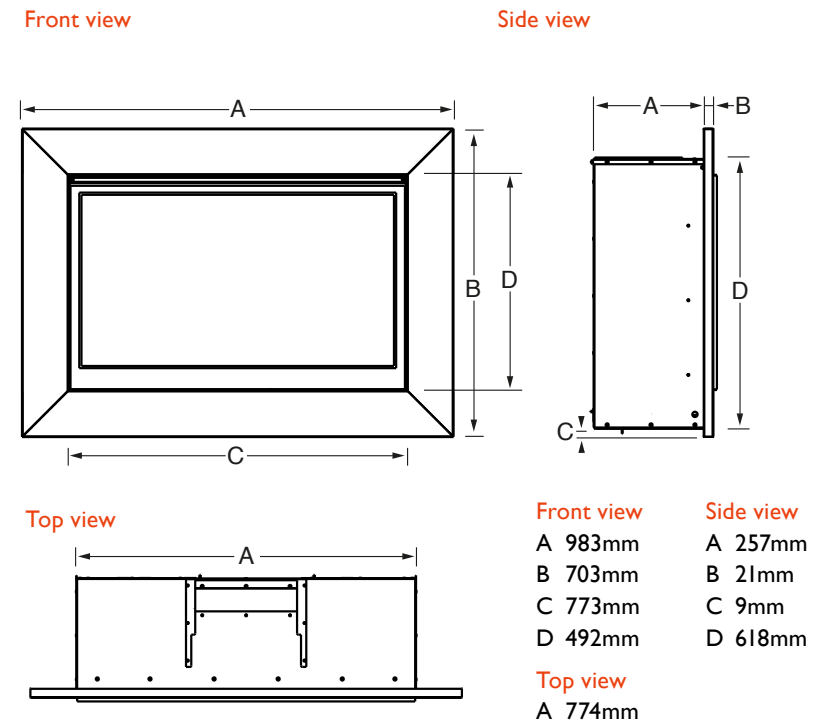
Black & Gold

Black & Chrome

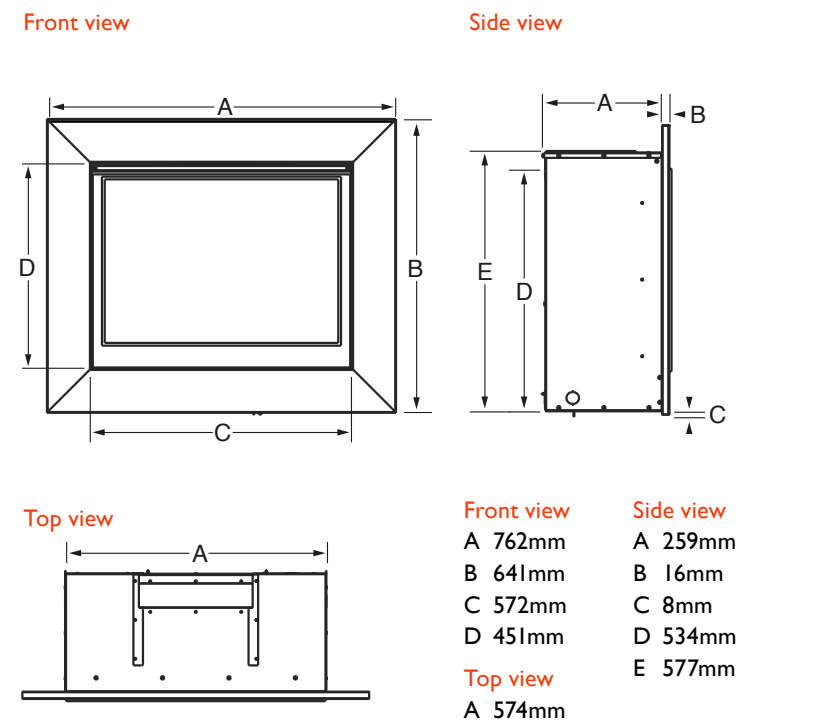


# Fire Dimensions

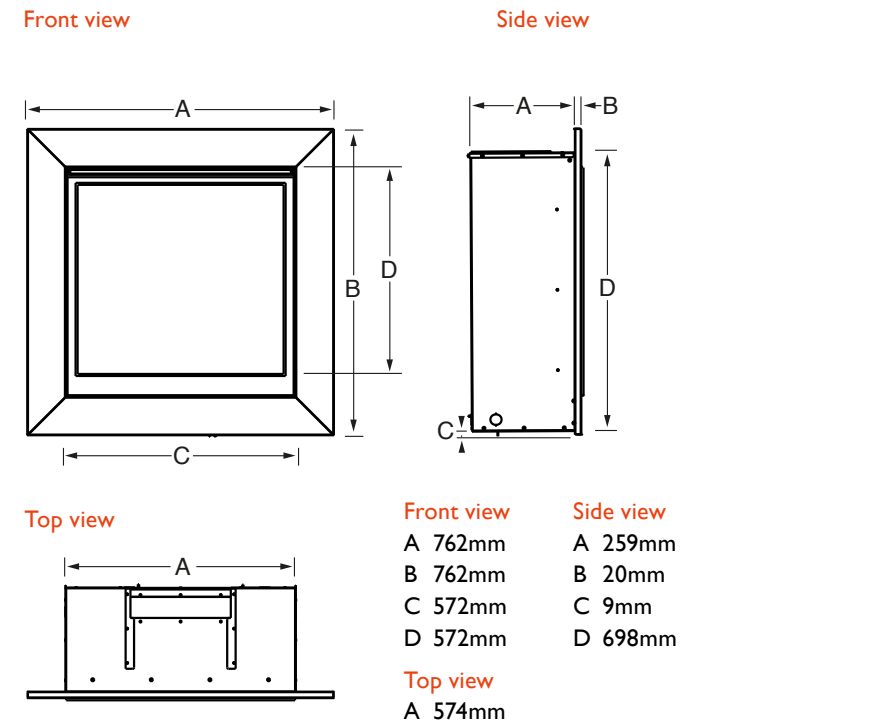
ALEESIA



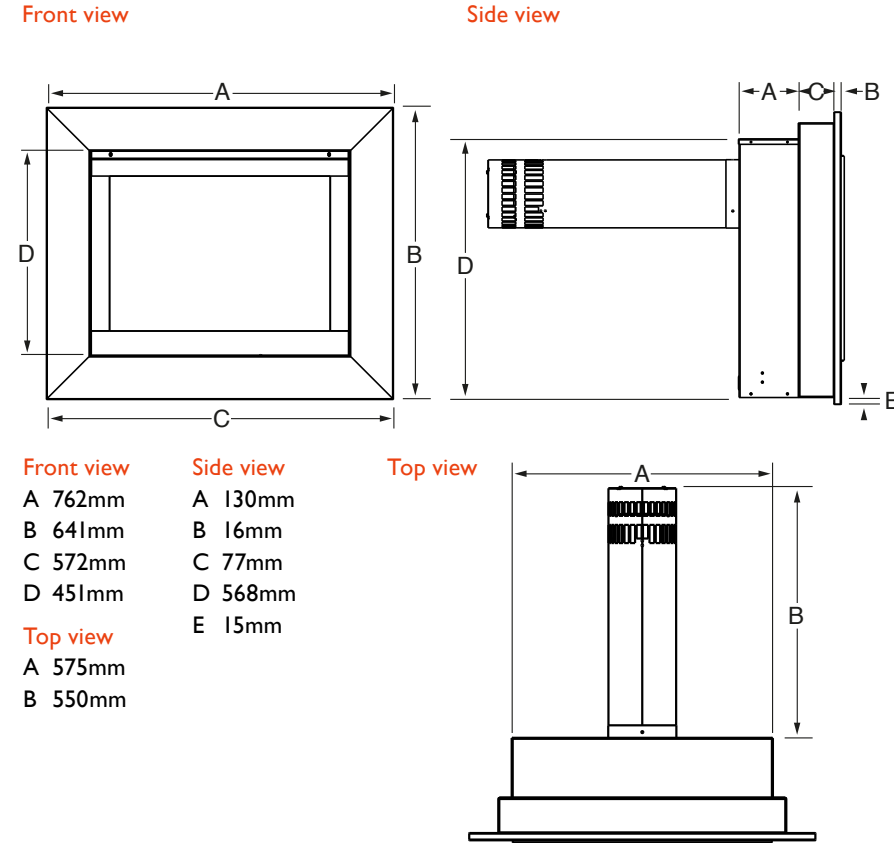
CELENA



ASENCIO

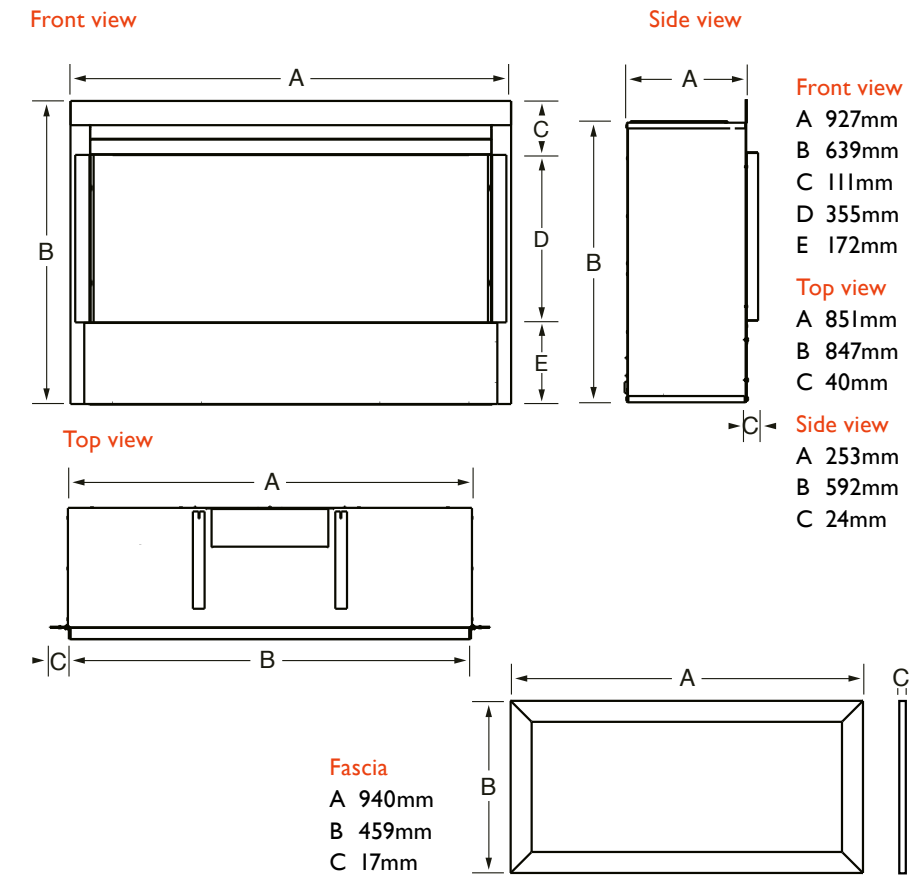


CELENA SLIMLINE BALANCED FLUE

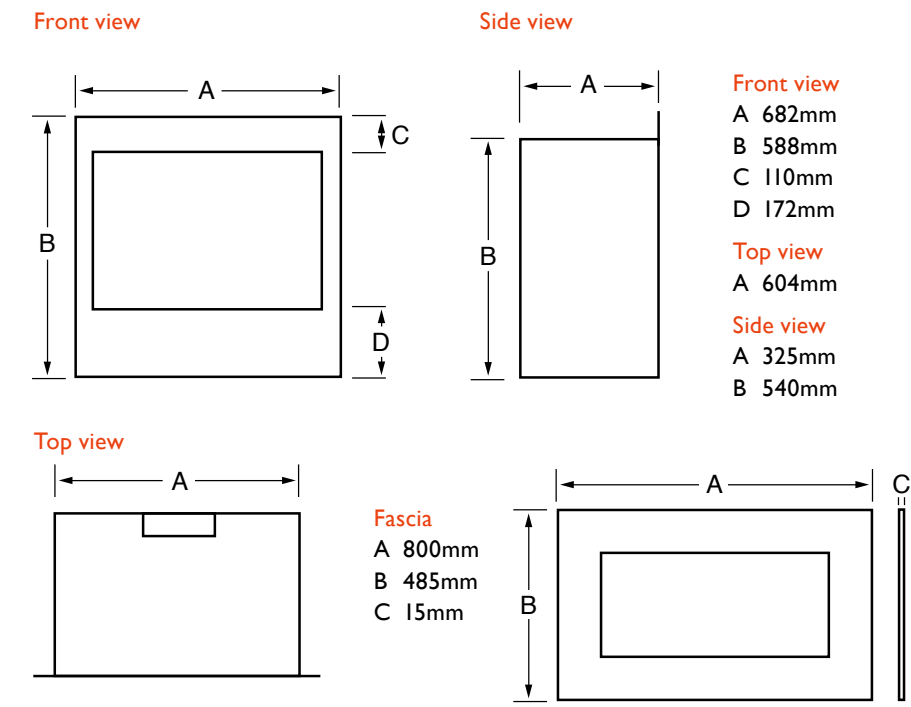


# Fire Dimensions

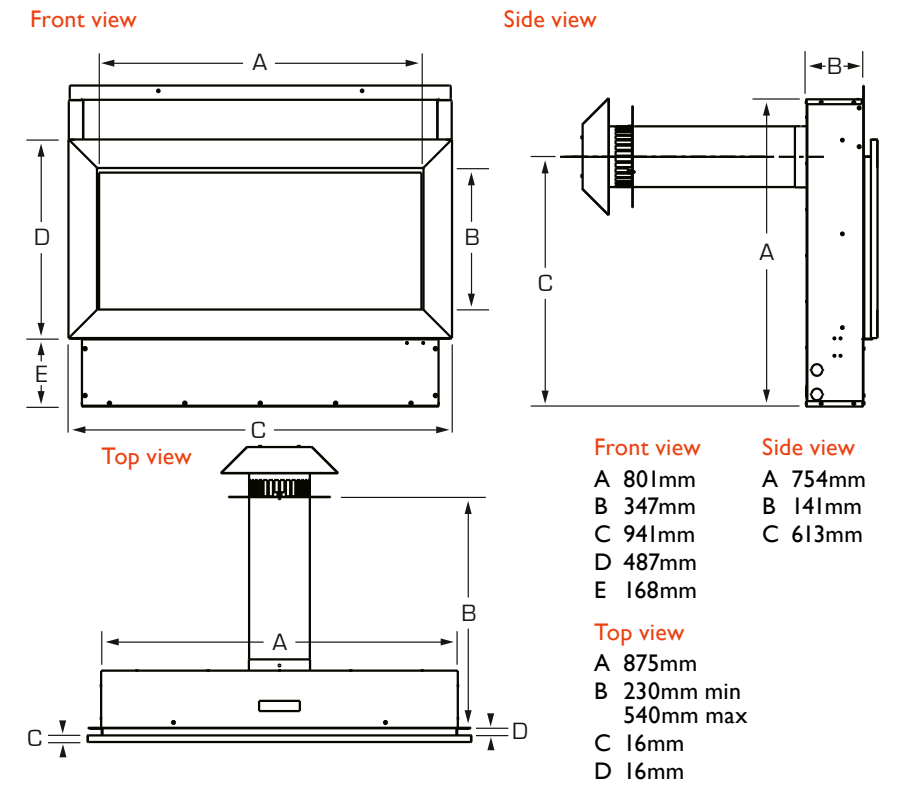
EDEN ELITE



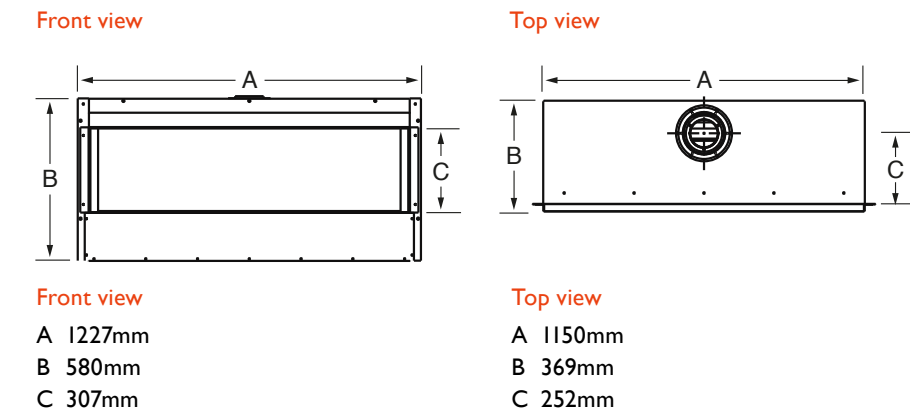
ATINA HE



EDEN ELITE SLIMLINE BALANCED FLUE



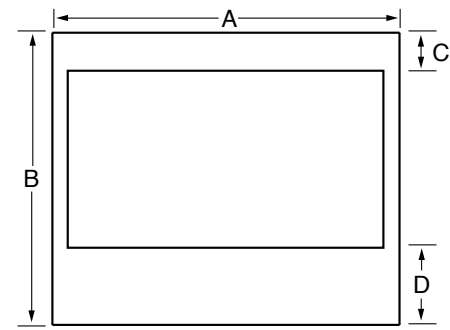
CARMELO HE



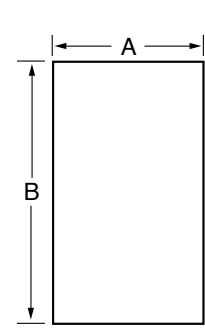
## Fire Dimensions

EDEN HE

Front view

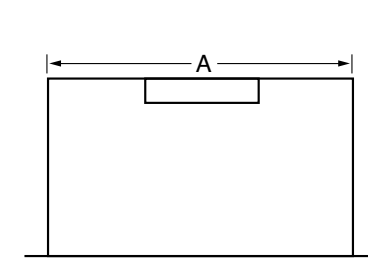


Side view



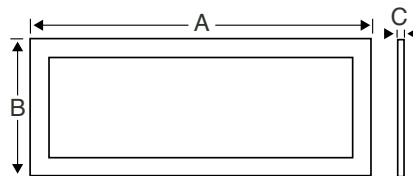
**Front view**  
 A 870mm  
 B 595mm  
 C 111mm  
 D 175mm  
**Top view**  
 A 795mm  
**Side view**  
 A 325mm  
 B 540mm

Top view



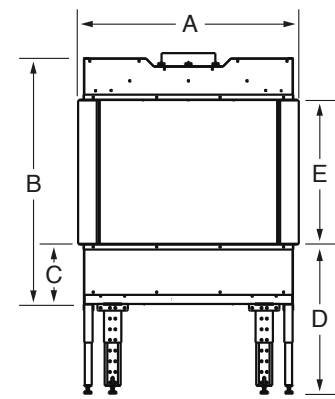
Slimline fascia

A 878mm  
 B 376mm  
 C 15mm

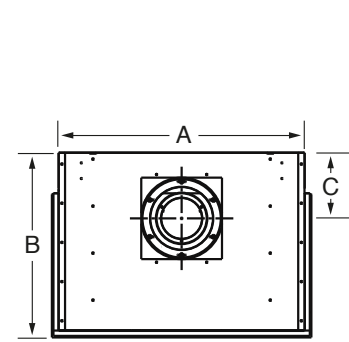


LUXE

Front view



Top view

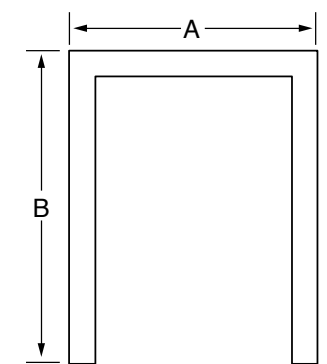


**Front view**  
 A 828mm  
 B 922mm  
 C 227mm  
 D 279-559mm  
 E 535mm

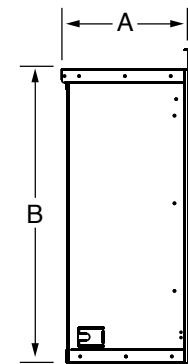
**Top view**  
 A 784mm  
 B 585mm  
 C 222mm

PASSION HE

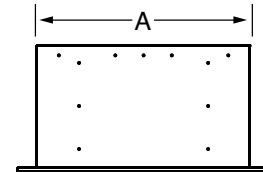
Front view



Side view



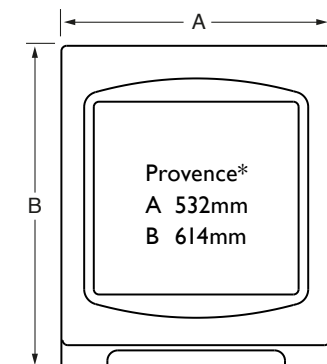
Top view



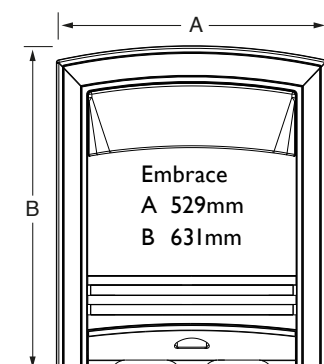
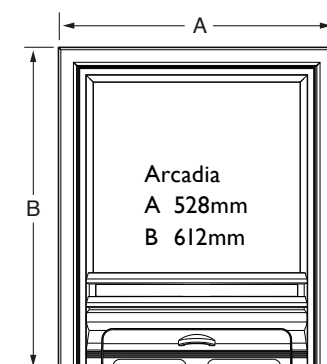
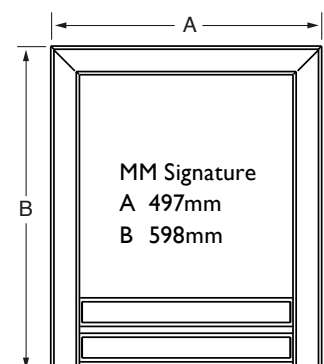
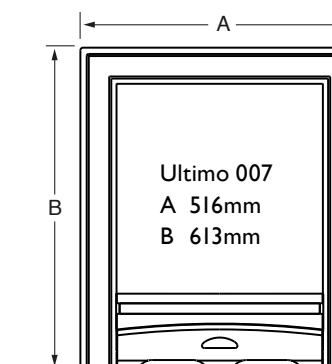
**Front view**  
 A 497mm  
 B 498mm  
**Top view**  
 A 400mm  
**Side view**  
 A 253mm  
 B 547mm

Dimensions A & B refer to Standard trim only

Fascias



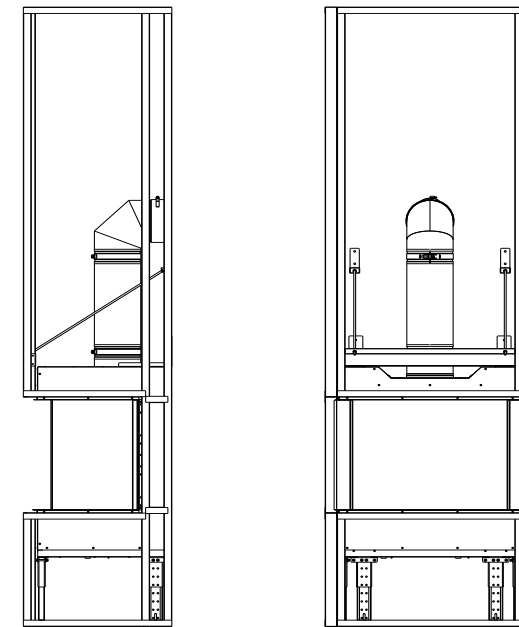
\*Remote control option only



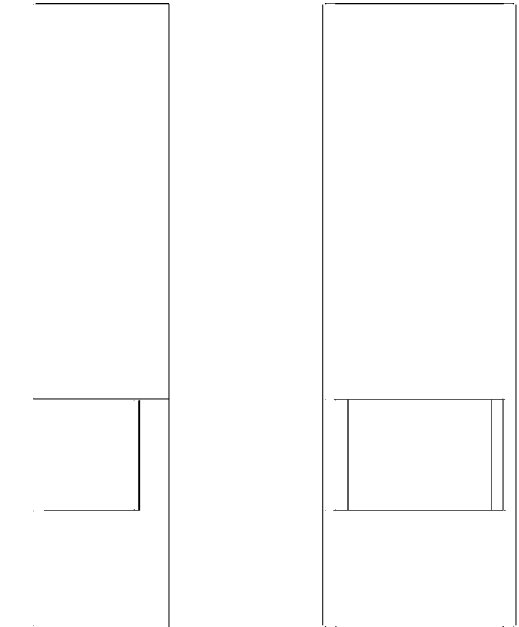
## Luxe Fire False Chimney Kit

A false chimney kit is available at an additional cost to simplify the installation of the Luxe gas fires. The false chimney kit consists of the metal studwork and screws required to create the false chimney structure. This can then be clad with the fitters' choice of high temperature board\*. We recommend a non combustible board such as Promat Supalux in a double 6mm thickness, giving an overall thickness of 12mm. Promat Supalux board is available from CCF Manchester. \* not supplied by BFM

FALSE CHIMNEY STUDWORK



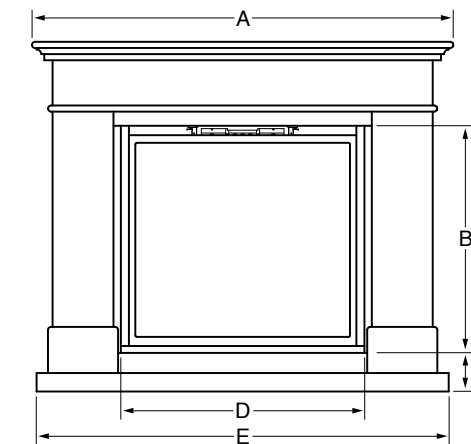
FINISHED FALSE CHIMNEY



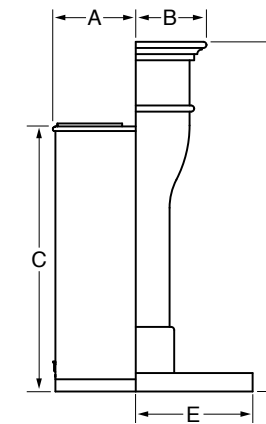
## Suite Dimensions

DA VINCI ILLUMIA MD

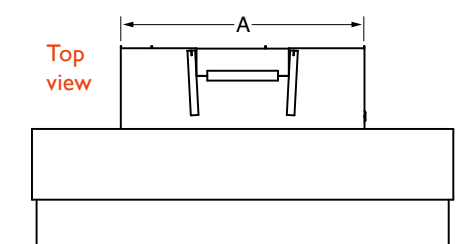
Front view



Side view



Top view

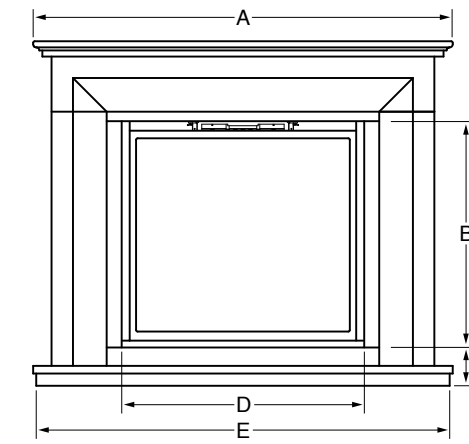


**Front view**  
 A 1370mm  
 B 739mm  
 C 126mm  
 D 792mm  
 E 1340mm  
**Side view**  
 A 267mm  
 B 230mm  
 C 865mm  
 D 1137mm  
 E 380mm

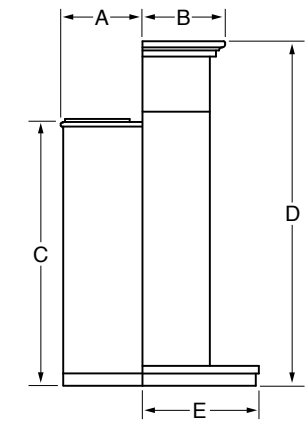
**Top view**  
 A 790mm

MONET ILLUMIA MD

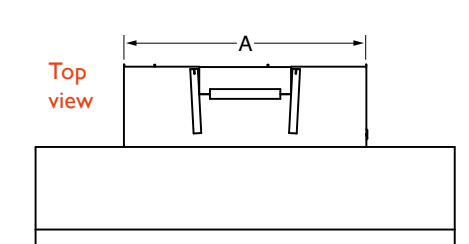
Front view



Side view



Top view



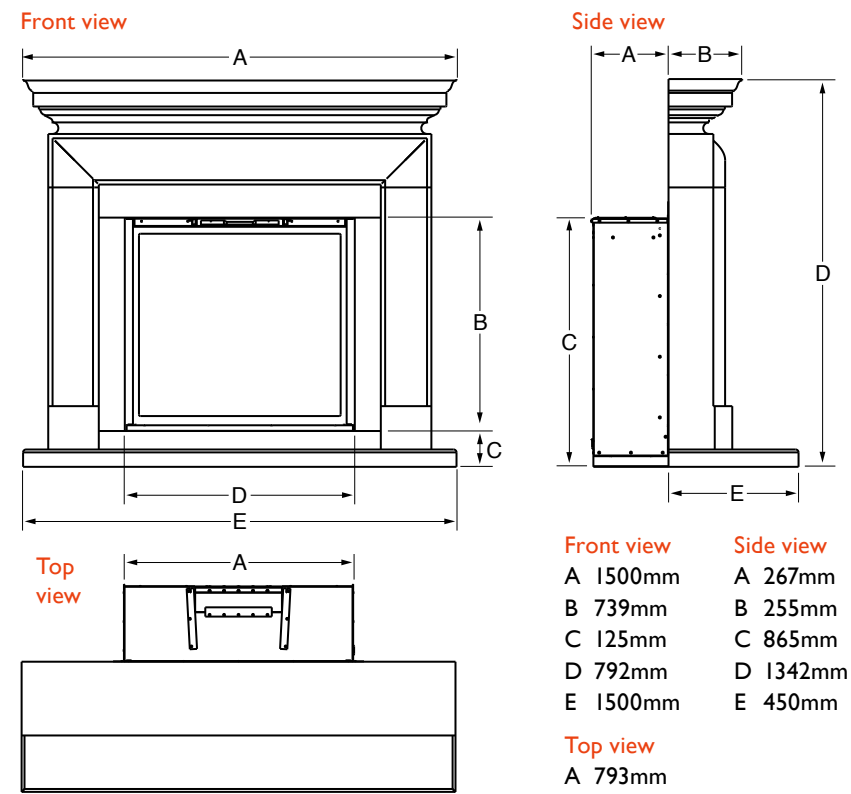
**Front view**  
 A 1370mm  
 B 739mm  
 C 126mm  
 D 792mm  
 E 1370mm  
**Side view**  
 A 267mm  
 B 270mm  
 C 865mm  
 D 1125mm  
 E 380mm

**Top view**  
 A 793mm

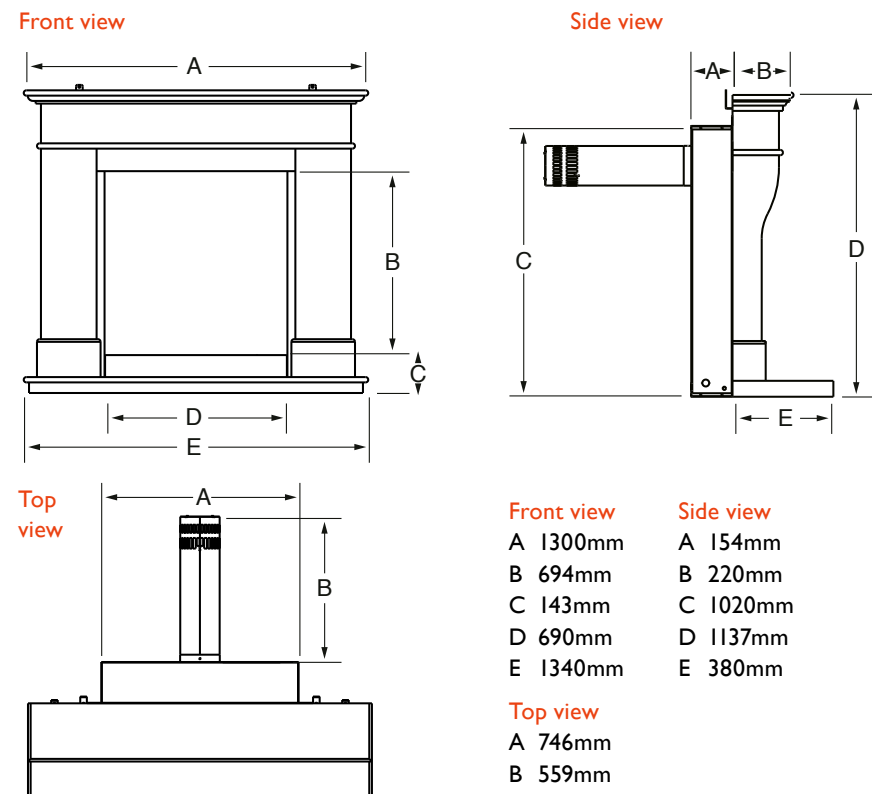


# Suite Dimensions

GIULIANO ILLUMIA MD



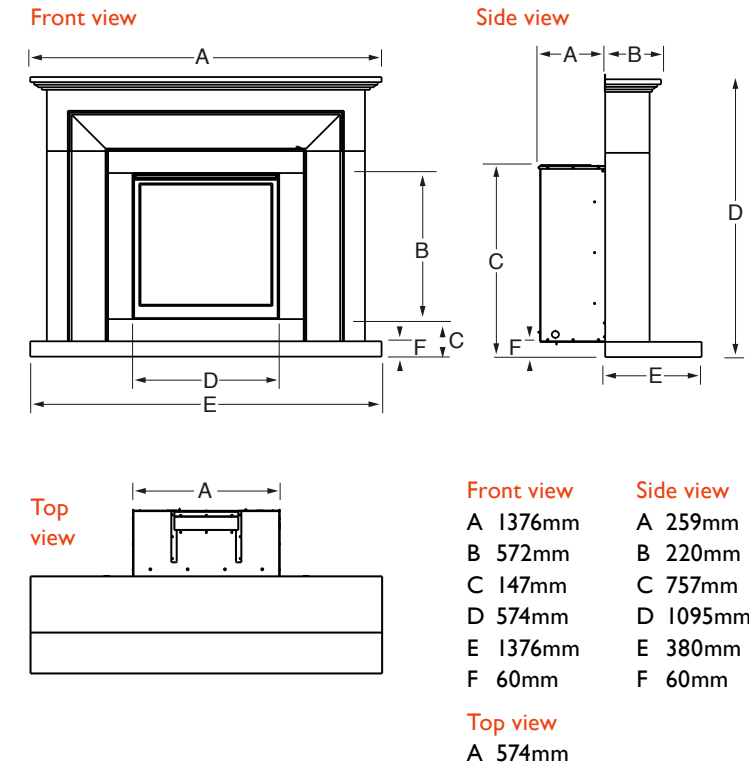
DA VINCI ILLUMIA SLIMLINE BALANCED FLUE



ALEESIA ILLUMIA 54 & 58

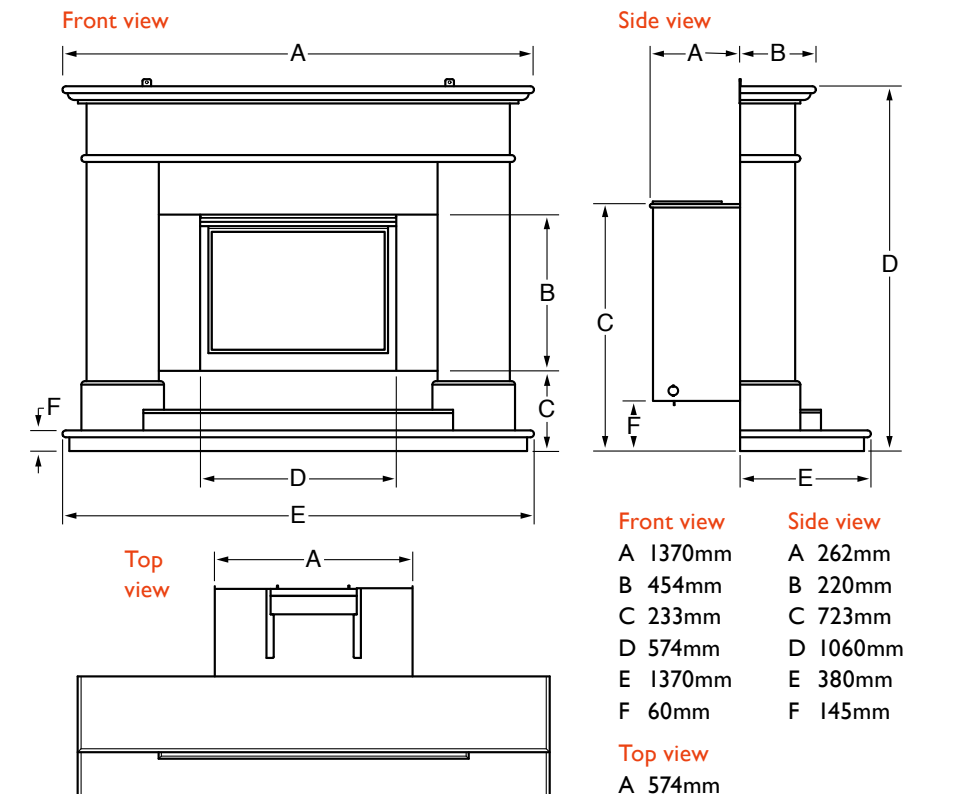
# Suite Dimensions

ASENCIO



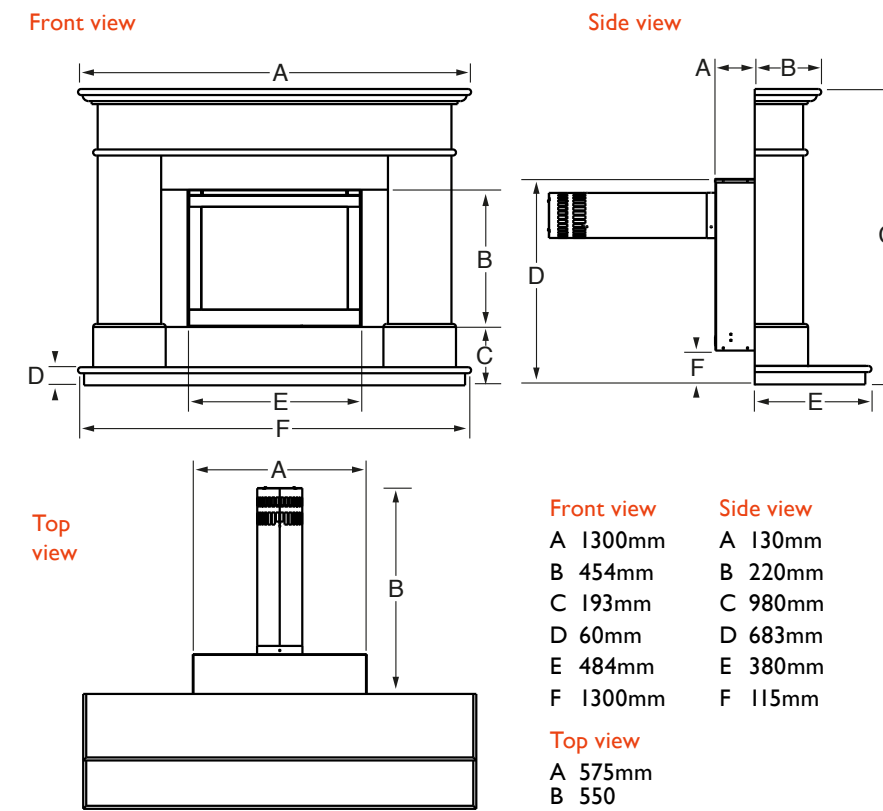
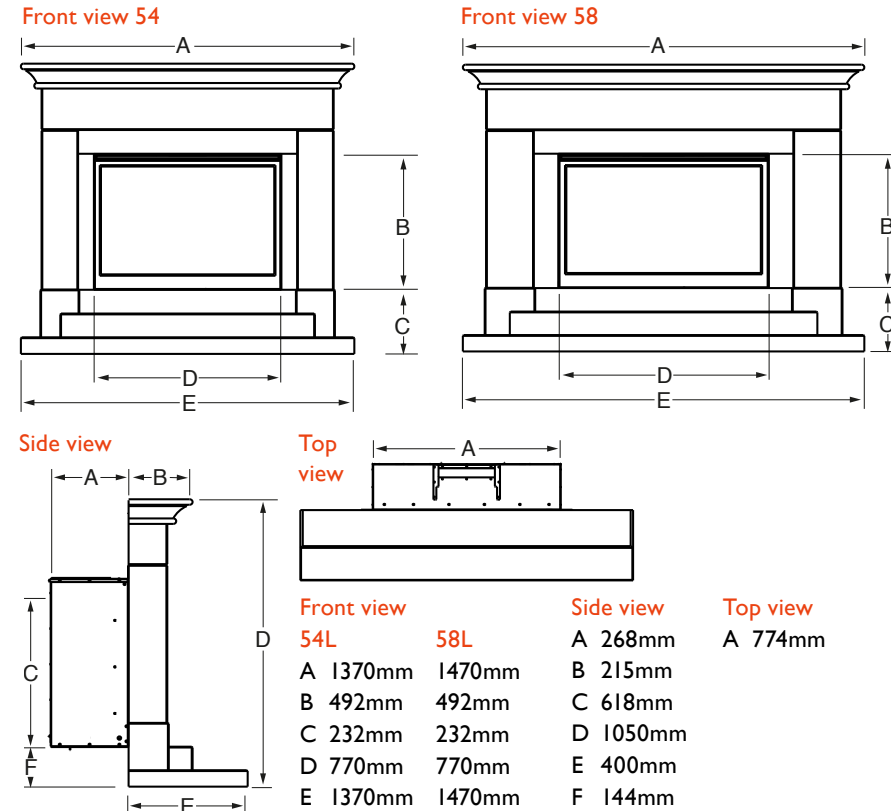
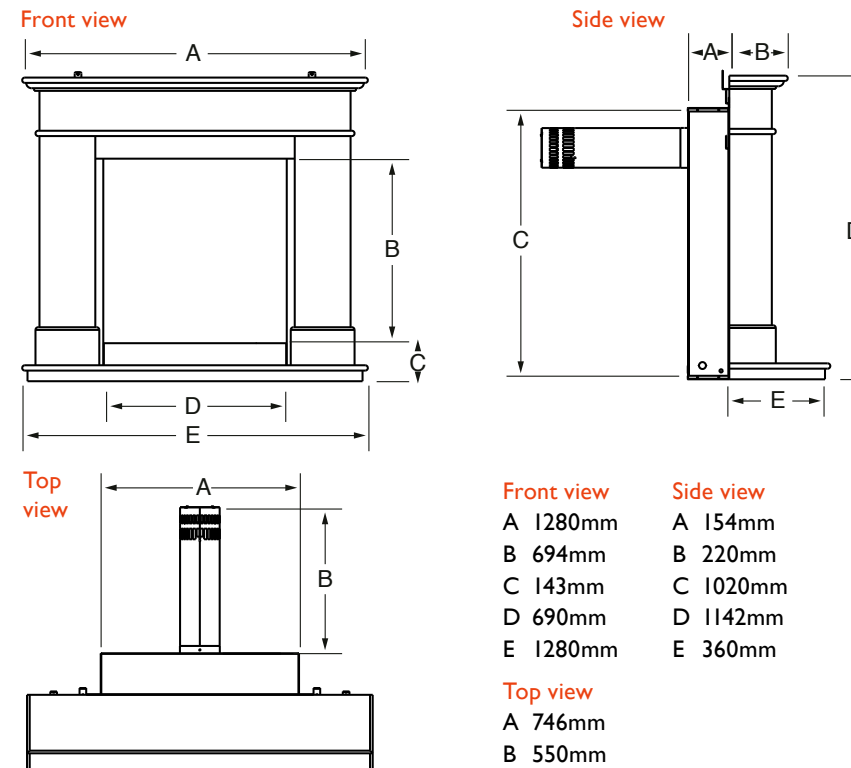
BOTICELLI CELENA SLIMLINE BALANCED FLUE

BOTICELLI CELENA



ANGELO CELENA

BOTICELLI ILLUMIA SLIMLINE BALANCED FLUE

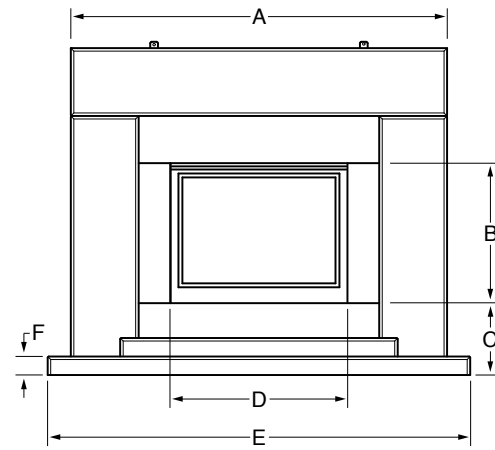




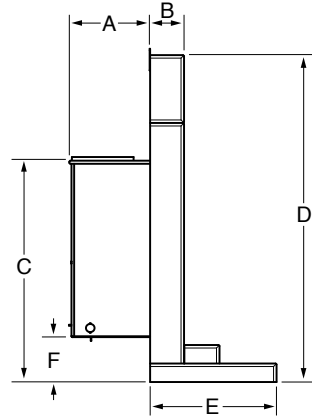
# Suite Dimensions

PABLO CELENA

Front view

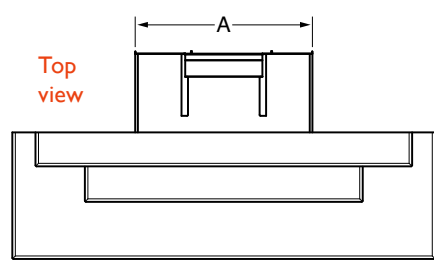


Side view



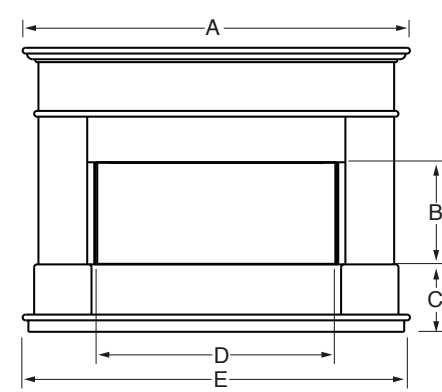
- |                   |                  |
|-------------------|------------------|
| <b>Front view</b> | <b>Side view</b> |
| A 1220mm          | A 262mm          |
| B 454mm           | B 110mm          |
| C 233mm           | C 723mm          |
| D 574mm           | D 1060mm         |
| E 1364mm          | E 410mm          |
| F 60mm            | F 145mm          |
| <b>Top view</b>   |                  |
| A 574mm           |                  |

Top view

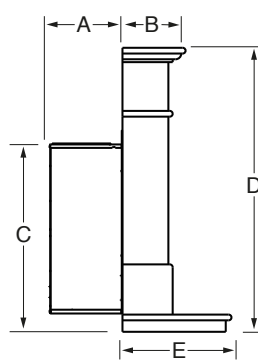


AVIGNON EDEN ELITE 54 & 58

Front view

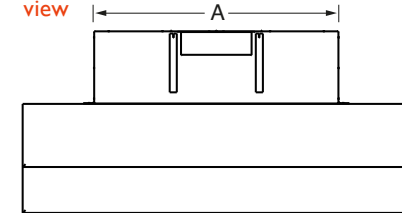


Side view



- |                  |                 |
|------------------|-----------------|
| <b>54"</b>       | <b>58"</b>      |
| A 1350mm         | A 1464mm        |
| B 356mm          | B 356mm         |
| C 235mm          | C 235mm         |
| D 849mm          | D 849mm         |
| E 1350mm         | E 1464mm        |
| <b>Side view</b> | <b>Top view</b> |
| A 254mm          | A 851mm         |
| B 220mm          |                 |
| C 657mm          |                 |
| D 990mm          |                 |
| E 380mm          |                 |

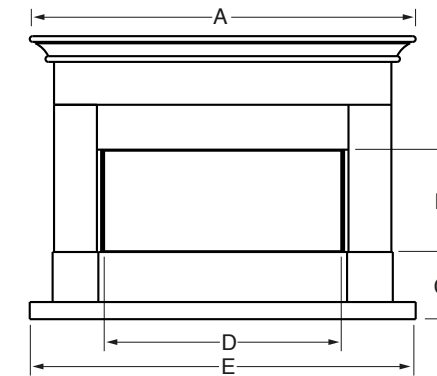
Top view



# Suite Dimensions

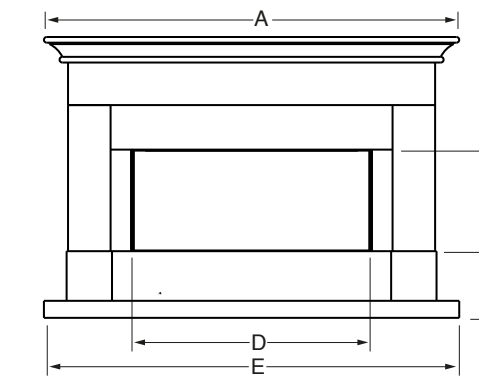
PARADA ELITE ILLUMIA 54L & 58L

Front view 54L



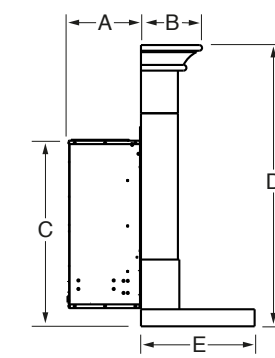
- Front view 54L**
- A 1350mm
  - B 358mm
  - C 235mm
  - D 849mm
  - E 1350mm

Front view 58L



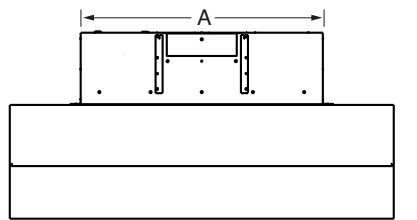
- 58L**
- A 1464mm
  - B 358mm
  - C 235mm
  - D 849mm
  - E 1464mm

Side view



- Side view**
- A 254mm
  - B 215mm
  - C 657mm
  - D 990mm
  - E 400mm

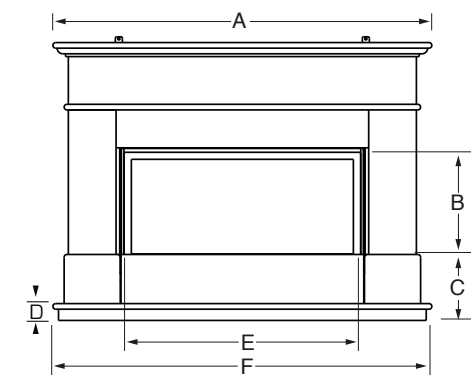
Top view



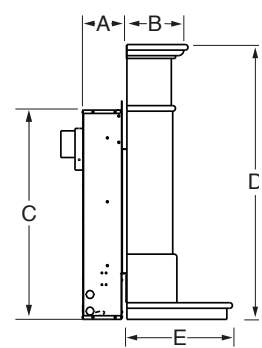
- Top view**
- A 851mm

AVIGNON EDEN ELITE SLIMLINE BALANCED FLUE 54 & 58

Front view

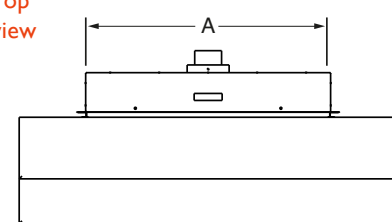


Side view



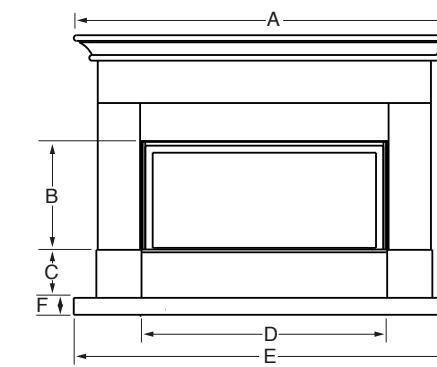
- |                  |                 |
|------------------|-----------------|
| <b>54"</b>       | <b>58"</b>      |
| A 1330mm         | A 1464mm        |
| B 380mm          | B 380mm         |
| C 175mm          | C 175mm         |
| D 60mm           | D 60mm          |
| E 870mm          | E 870mm         |
| F 1330mm         | F 1330mm        |
| <b>Side view</b> | <b>Top view</b> |
| A 158mm          | A 875mm         |
| B 220mm          |                 |
| C 990mm          |                 |
| D 754mm          |                 |
| E 380mm          |                 |

Top view



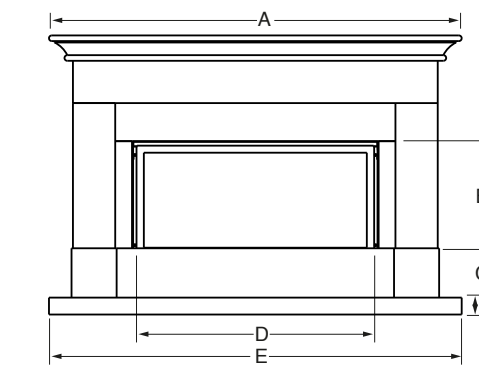
PARADA ELITE ILLUMIA SLIMLINE BALANCED FLUE 54L & 58L

Front view 54L



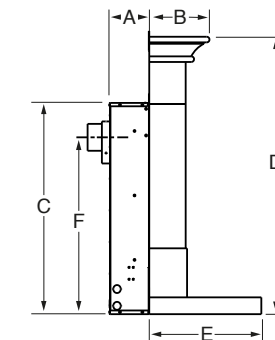
- Front view 54L**
- A 1350mm
  - B 380mm
  - C 175mm
  - D 861mm
  - E 1350mm
  - F 60mm

Front view 58L



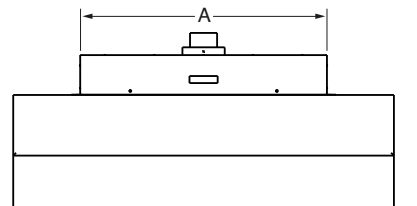
- 58L**
- A 1464mm
  - B 380mm
  - C 175mm
  - D 861mm
  - E 1464mm
  - F 60mm

Side view



- Side view**
- A 141mm
  - B 215mm
  - C 754mm
  - D 990mm
  - E 400mm
  - F 631mm

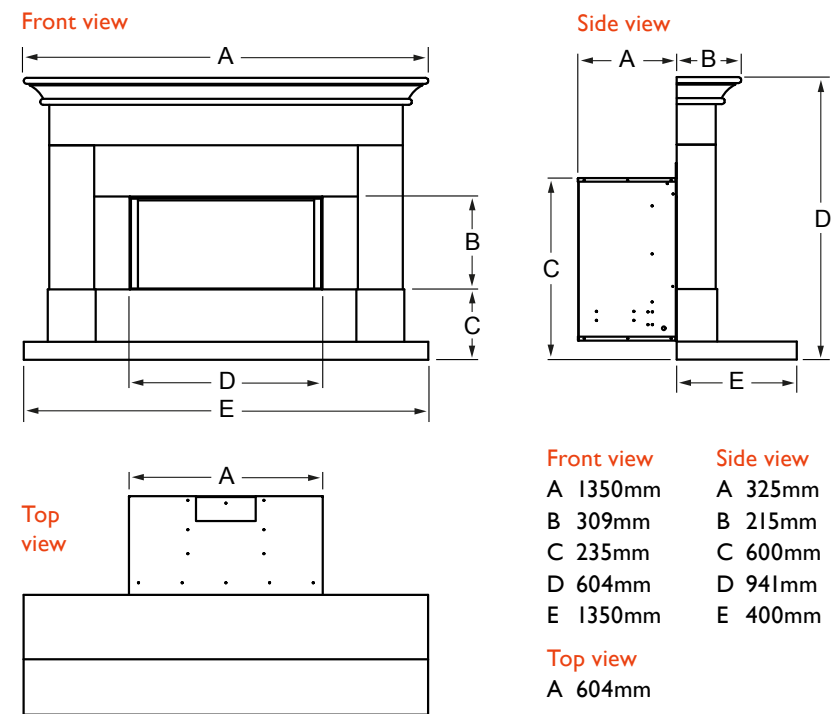
Top view



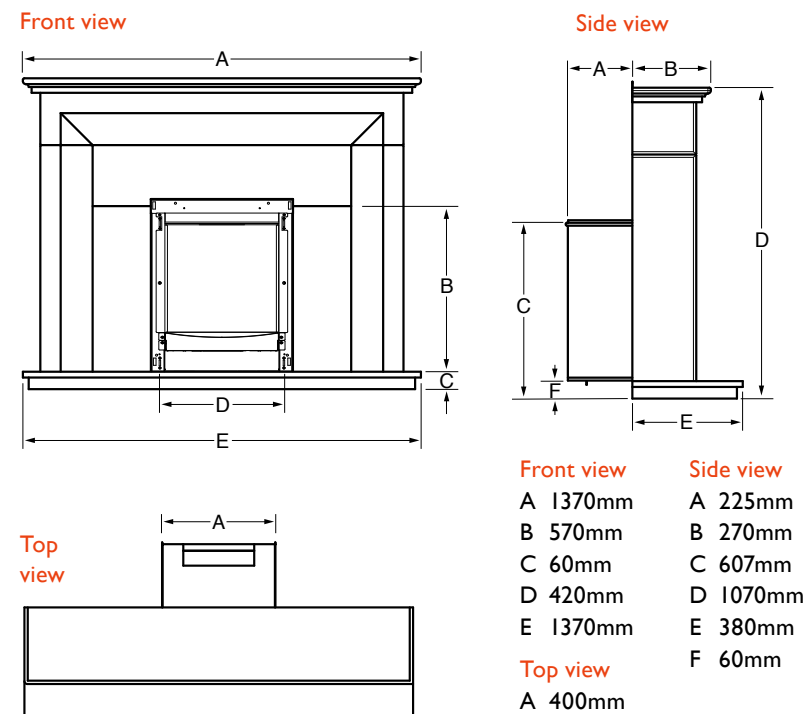
- Top view**
- A 875mm

## Suite Dimensions

PARADA ILLUMIA 54S



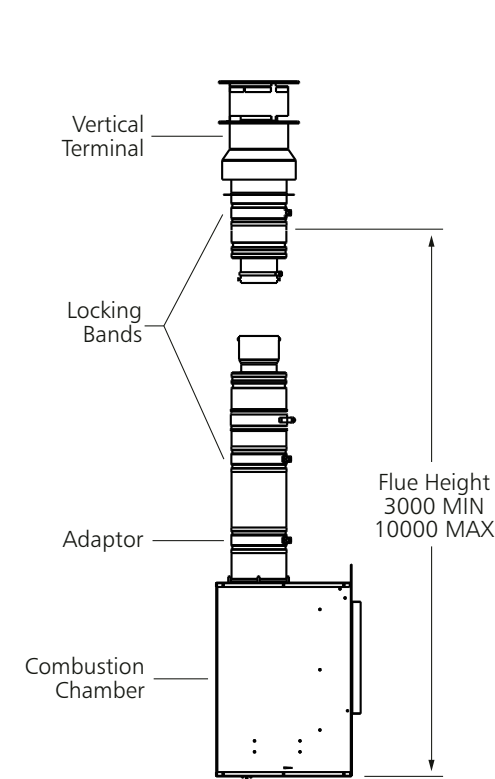
PASSION HE SUITE



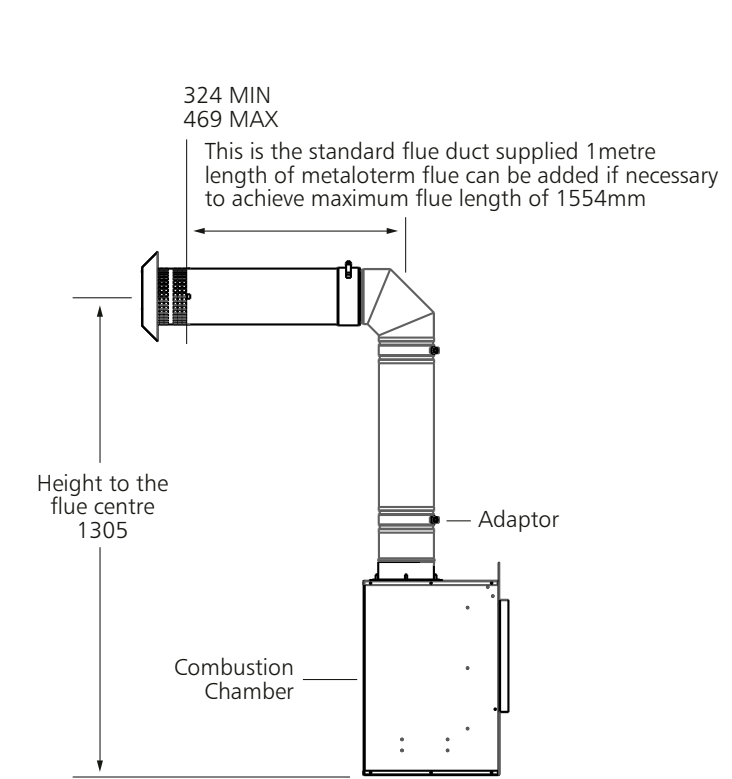
## Balanced Flue Installations

CARMELO

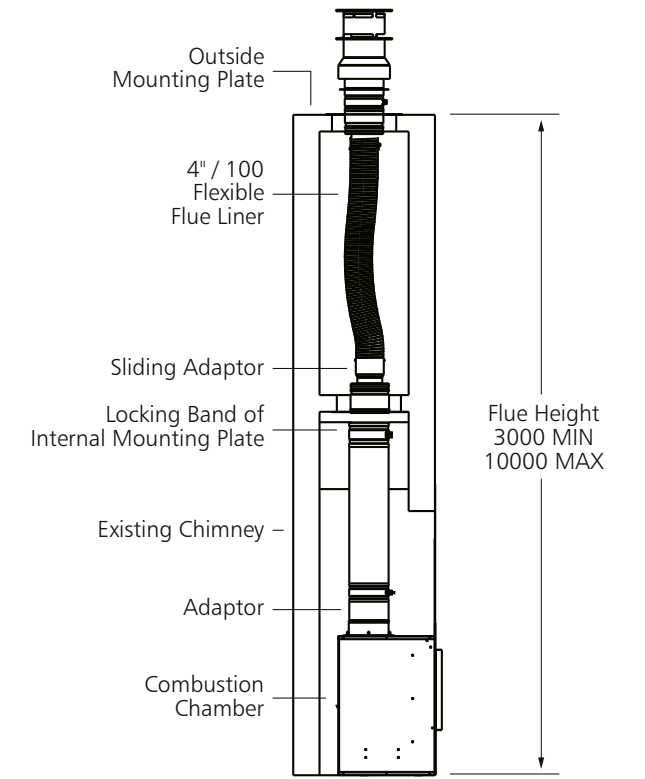
Vertical balanced flue installation



Horizontal balanced flue installation



Chimney conversion balanced flue kit

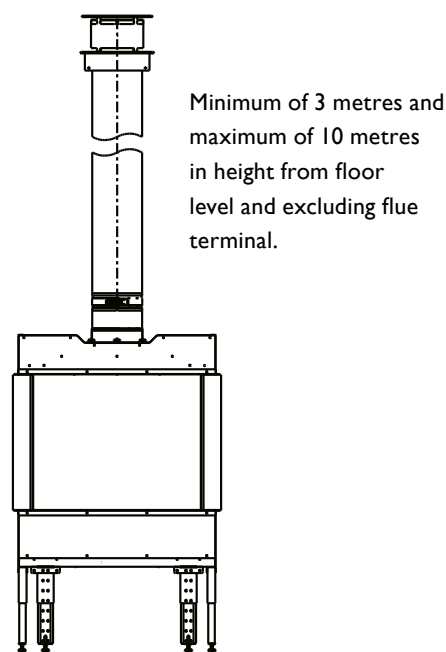


## Balanced Flue Installations

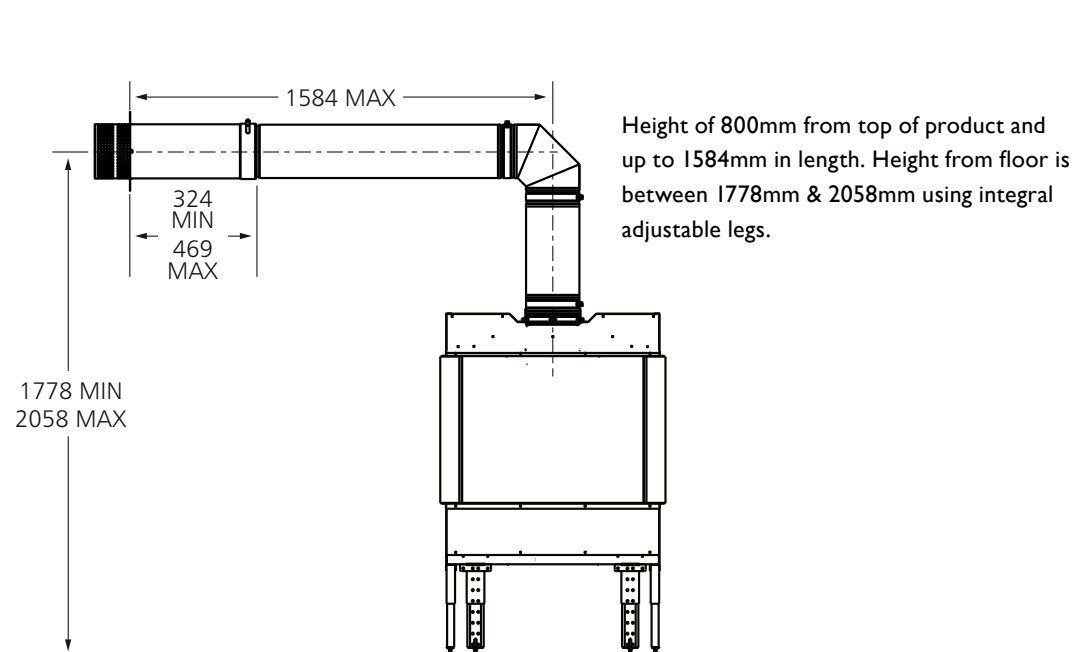
The following diagrams show our balanced flue installation possibilities for the Luxe gas fire. For more detailed information please refer to the product installation manual.

LUXE

Vertical balanced flue installation

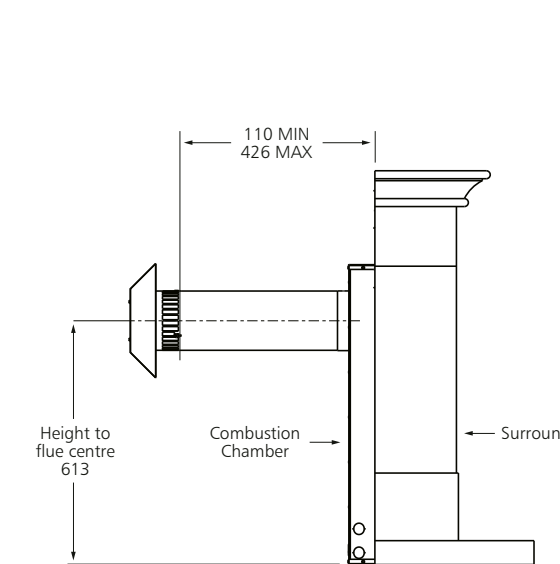


Horizontal balanced flue installation



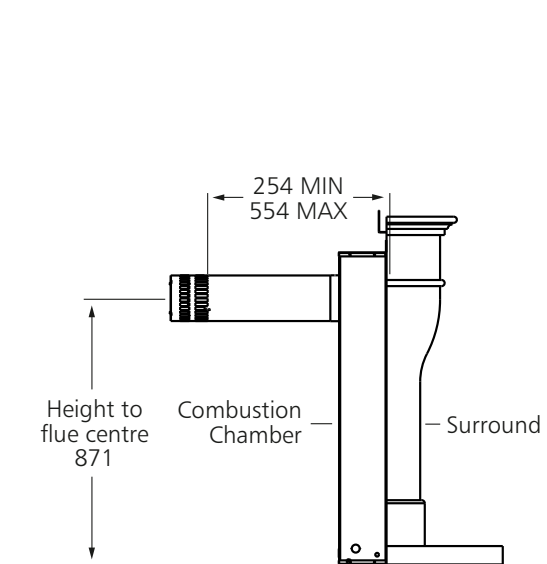
PARADA ELITE ILLUMIA SLIMLINE

Horizontal balanced flue installation



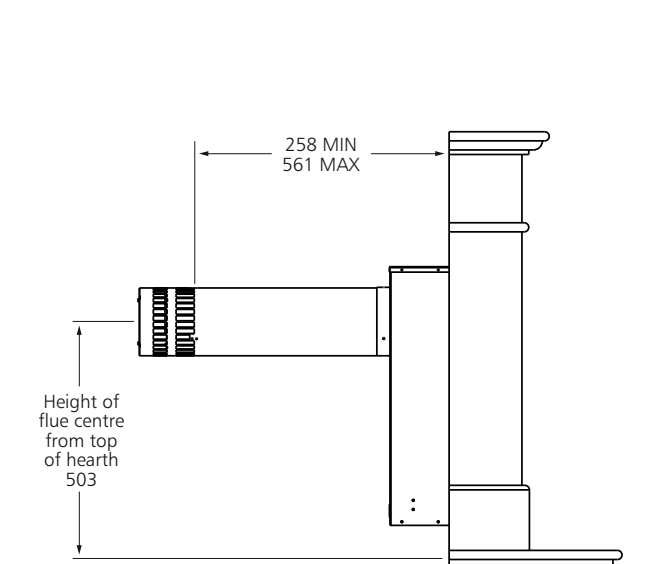
BOTICELLI & DA VINCI ILLUMIA SLIMLINE

Horizontal balanced flue installation



BOTICELLI CELENA SLIMLINE

Horizontal balanced flue installation



Chimney conversion balanced flue kit

The existing chimney must have a minimum cross-sectional area of 22,500mm<sup>2</sup> to provide sufficient air flow to fit the chimney conversion kit.





## Online inspiration & information

**Tap into a wealth of knowledge and discover everything you need to know about purchasing, fitting & servicing your fire.**

Use our intelligent search tools to find your perfect fire

Find your nearest approved The Collection stockist

Download installation and user manuals

Register your guarantee

Watch videos of our stunning fires



[www.thecollectiongasfires.co.uk](http://www.thecollectiongasfires.co.uk)

---

**WARNING**

BFM Europe Limited is a Gas Safe Registered company. We recommend that all of our fires are installed by Gas Safe Registered engineers in accordance with our instructions.

**DISCLAIMER**

Our policy is one of constant development and improvement. We therefore reserve the right to revise designs and specifications of our products without formal notice, patents pending. We always recommend our products be viewed in an approved showroom before purchase.

Whilst we have taken every care in the preparation of this brochure it is not intended to replace the installation manual which provides more detailed information.

Photography is for illustration purposes only and although every effort has been made to ensure accurate reproduction of typical installations and flame pictures they may vary according to fire model and flue types.

We accept no liability for any loss or damage arising directly or indirectly from the use of this brochure. We recommend that all our fires are used in conjunction with central heating and not as a primary source of heat. In the interests of personal safety a suitable fireguard is recommended when children, the elderly and the infirm are present.

*This brochure is copyright 2021 and must not be reproduced in whole or in any part without prior written permission.*



The Collection by Michael Miller

---

BFM Europe Limited, Trentham Lakes, Stoke-on-Trent, Staffordshire ST4 4TJ

Call 01782 339000

[www.thecollectiongasfires.co.uk](http://www.thecollectiongasfires.co.uk)

email: [info@bfm-europe.com](mailto:info@bfm-europe.com) Fax: 01782 339009

ISSUE 13