



EMBERGLOW CLASSIC

RADIANT CONVECTOR GAS FIRE

Installation and Maintenance Instructions

Hand these instructions to the user

Model No. FEMC00MN is for use on Natural Gas (G20) at a supply pressure of 20 mbar in G.B. / I.E.

Model No. FEMC00MP is for use on Propane Gas (G31) at a supply pressure of 37 mbar in G.B. / I.E.

CONTENTS

Contents

Installation Instructions		Page
Appliance Data		3
Section 1	1.1 Conditions of Installation.	4
	1.2 Flue & Chimney Suitability	4
	1.3 Fireplace/Surround Suitability	5
	1.4 Shelf Position	5
	1.5 Side Clearance	5
	1.6 Closure Plate	5
	1.7 Flue & Chimney inspection	5-6
	1.8 Chimney Catchment space	6
	1.8.1 Brick Built Chimney	6-7
	1.8.2 Fitting to Pre-Fab. Twin Wall Metal Flueboxes	7
	1.8.3 Fitting to Pre-Cast Flue Installations	8
	1.9 Hearth Fitting	8
	1.10 Spillage Monitoring System	8
Section 2	2.1 Packing Check List	9
	2.2 Installation of Fire	9-10
	2.3 Fitting Canopy Rear Trim	11
	2.4 Fitting Canopy to Firebox	11
	2.5 Fitting Spigot to Firebox	12
	2.6 Gas Tightness	12
Section 3	3.1 Assembly of Fuelbed	13-15
	3.2 Lighting the Appliance	16
	3.3 Checking for Clearance of Combustion Products	16
	3.4 Final Checks	17
Section 4		
Maintenance Instructions		
	4.1 General Access for Servicing	18
	4.1.1 Removal of the Upper Canopy	18
	4.2 Removal of the Burner Assembly	18
	4.3 Removal of the Control Tap	19
	4.4 Removal of the ODS	20

APPLIANCE DATA

	G20 Models	G31 Models
Main injector (1 off)	Stereomatic size 360 Cat 82	Stereomatic size 160, Cat 82
Pilot Type. Type	Copreci Single Flame 21100 / 161	Copreci Single Flame 21100 / 179
Max. Gross Heat Input :	6.0 kW	5.70kW
Min. Gross Heat Input :	1.8 kW	1.70kW
Cold Pressure :	20.0 +/- 1.0 mbar (8.0 +/- 0.4 in w.g.) - G20 model 37.0 +/- 1.0 mbar (14.8 +/- 0.4 in w.g.) - G31 model	
Ignition :	Rotary piezo, integral to gas valve	
Electrode Spark Gap :	4.0 mm	
Weight (Packed) :	26.0kg	

Firebox Dimensions (with case fitted)

Width : (with fender fitted)	675mm
Height : (with feet fitted)	710mm
Depth : (with fender fitted)	335mm
Height to top of the flue spigot :	490mm (with feet fitted)

Gas Connection : 8mm compression
(Supplied with fire)

EFFICIENCY DECLARATION

The efficiency of this appliance has been measured as specified in BS 7977-1 : 2002 and the result is 70%.

The gross calorific value of the fuel has been used for this efficiency calculation.

The test data from which it has been calculated has been certified by Advantica.

The efficiency value may be used in the UK Government's Standard Assessment Procedure (SAP) for energy rating of dwellings.

1.1 CONDITIONS OF INSTALLATION

In Great Britain :-

It is law that all gas appliances are installed only by a CORGI registered installer in GB, in accordance with these installation instructions and the Gas Safety (Installation and use) Regulations 1998. Failure to install appliances correctly could lead to prosecution. It is in your own interest and that of safety to comply with the law.

The installation must also be in accordance with all relevant parts of the Local and National Building regulations where appropriate, the Building Regulations (Scotland Consolidation) issued by the Scottish Development Department, and all relevant recommendations of the following British Standard Code of Practice.

1. B.S. 5871. Part 1. Installation of Gas Fires.
2. B.S. 5440.: 2000 Parts 1 & 2. Installation of Flues & Ventilation.
3. B.S. 6891. Installation of Gas Pipework.
4. B.S. 6461. Part 1. Installation of Chimneys & Flues.
5. B.S. 1251. Open Fireplace Components.
6. B.S. 715. Metal Flue pipes for Gas Appliances.
7. B.S. E.N. 1858 Chimneys Components & Concrete Flue Blocks
8. B.S. 7566 Installation of factory-made Chimneys.

Ventilation Requirements

For use in G.B. purpose built ventilation is not normally required for this appliance.

In Republic of Ireland :-

For use in I.E. this appliance must be installed in accordance with the rules in force by a competent person and used only in a sufficiently ventilated space. Please consult document *I.S. 813 : 1996 Domestic Gas Installation*, issued by the National Standards Authority of Ireland.

1.2 FLUE AND CHIMNEY SUITABILITY

The appliance is designed for use with conventional brick built chimneys or lined chimneys and pre – fabricated flues. It is also suitable for use with pre-cast flue blocks conforming to BS EN 1858 and metal flue boxes conforming to BS 715. All flues must conform to the following minimum dimensions.

Minimum diameter of circular flues	125 mm
Minimum effective height of all flue types	3 metres
Minimum cross sectional area of Pre-cast Flues	122.7 cm²

1.3 FIREPLACE / SURROUND SUITABILITY

The fire is suitable for hearth mounting or wall mounting. It must **not** be fitted directly onto a carpet or other combustible material. It must **not** be fitted to combustible walls.

This fire is suitable for the following hearth / surround types:

Non-combustible hearths / surrounds.

Purpose made proprietary hearths / surrounds with a minimum temperature rating of 150°C.

If a heating appliance is fitted directly against a wall without the use of a fireplace or fire surround, soft wall coverings such as wallpaper, blown vinyl, etc. could be affected by the heat and may, therefore scorch or become discoloured. Please bear this in mind when installing or decorating.

1.4 SHELF POSITION

The fire may be fitted below a combustible shelf providing there is a minimum distance of 200 mm above the top of the fire and the shelf does not project more than 150 mm. If the shelf overhangs more than 150 mm the distance between the fire and the shelf must be increased by 25 mm for every 25 mm of additional overhang over 150 mm.

1.5 SIDE CLEARANCE

A minimum clearance of 100mm should be allowed on either side of the fire for servicing. Any fire surround uprights should not project forward by more than 100mm.

NOTE. The fire must be installed so that no part of a combustible side wall when measured laterally is less than 500mm from the radiants.

1.6 CLOSURE PLATE

A closure plate is supplied with this fire and **must** be fitted. The closure plate must be sealed to the fireplace or surround opening with suitable adhesive tape. See section 2.2.2

1.7 FLUE / CHIMNEY INSPECTION

Before commencing installation, a flue or chimney should be inspected to ensure that all the following conditions are satisfied.

- a) Check that the chimney / flue only serves one fireplace and is clear of any obstruction. Any obstruction. Any dampers or register plates must be removed or locked in the open position.

- b) Brick / stone built chimneys and any chimney or flue which has been used for an appliance burning fuel other than gas must be thoroughly swept. The base of the chimney / flue must also be thoroughly cleared of debris etc.

Any under floor air supply to the fireplace must be completely sealed off.

Ensure that the inside of the chimney/flue is in good condition along its length and check that there is no leakage of smoke through the structure of the chimney during and after the smoke pellet test.

With pre-cast flues it is especially important to check the inside of the flue for extruded cement / sealant protruding from the joints between the flue blocks. If present, these should be removed by rodding the flue before proceeding with the installation.

Using a smoke pellet, check that there is a positive up draught present in the chimney / flue and that the smoke can be seen issuing from the terminal / chimney pot outside. There must be no leakage of smoke through the structure of the chimney during or after the smoke pellet test and it is important to check inside upstairs rooms adjacent to the chimney / flue. Check the chimney pot / terminal and general condition of the chimney brickwork or masonry. If the chimney or flue is in poor condition or if there is no up draught do not proceed with the installation. If there is a history of down draught conditions with the chimney / flue, a tested and certified flue terminal or cowl suitable for the relevant flue type should be considered.

A spillage test must always be carried out during commissioning of the appliance.

1.8 CHIMNEY CATCHMENT SPACE.

1.8.1 Brick Built Chimneys.

The catchment space below the flue spigot should be as deep as possible, and must not be less than 250mm measured from the bottom of the flue spigot to the bottom of the catchment space, or to the top of any "bricking-up" of the fireplace, whichever is the least. See Fig. 1.

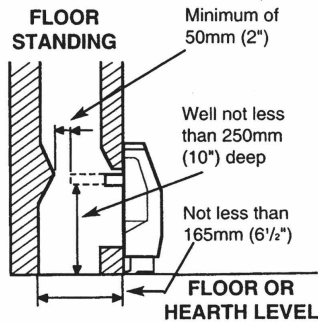
The flue spigot must pass through the closure plate at least 25mm and have a minimum clearance of 50mm between its open end and the nearest obstruction. There must be a minimum clearance of 165mm between the back of the closure plate and the back of the catchment space. See Fig. 1 overpage.

The front opening of the fireplace must be between 305mm and 440mm wide, and between 500mm and 650mm high. If the opening is larger than this, then a surround must be constructed in a suitable non-combustible material to create an opening to these limits. Allow a minimum flat surface of 20mm around the opening to ensure that the closure plate can be sealed to the fireplace.

Any surround must be sealed to the fireplace to prevent leakage. The operation of the chimney should be tested as detailed as in section 1.7.

Note. A flue spigot extension of up to a maximum total length of 125mm may be fitted if necessary, providing that a minimum clearance of 50mm between its open end and nearest obstruction is always maintained.

Fig.1. Chimney Catchment Space.



1.8.2 Fitting to Pre-Fabricated twin wall metal Flue Boxes.

The appliance may be fitted to a twin wall metal flue box conforming to the constructional requirements of BS 715, (for example the Selkirk LFE 125 box). The box must have a minimum flue diameter of 125mm internal and minimum internal dimensions of 160mm deep by 580mm high by 350mm wide. There are no maximum dimensional requirements for the box. The top face of the box must be insulated with a minimum thickness of 50mm of non-combustible mineral wool insulation or similar material. The flue box must stand on a non-combustible base of minimum thickness 12mm.

1.8.3 Fitting to Pre-Cast Flue Installations.

The pre-cast opening must be a minimum of 122.7cm² or equivalent cross-sectional area and have a minimum effective flue height of 3 metres. The flue spigot restrictor must be removed when installing into pre-cast flue applications. **This appliance has been tested for use in a pre-cast flue block complying with BS EN 1858. In accordance with BS EN 1858, pre-cast flues built with directly plastered faces (front or rear) are not correctly installed as to ensure proper operation with any type of gas fire. In some instances of this flue construction, temperature cracking of surface plaster may occur through no fault of the appliance. An air gap or some form of insulation material should be installed to prevent normal flue temperatures from damaging wall surfaces.**

1.9 HEARTH FITTING

This appliance must only be installed on to a level concrete or non-combustible hearth. The feet must not be removed when installing directly onto a hearth. The hearth material must be a minimum thickness of 13 mm with the outer perimeter of the hearth panel at least 50 mm above the floor level, to discourage the placing of carpet or other floor coverings over it. The hearth **must** be fitted symmetrically about the fire opening and have a minimum width of 760 mm and a minimum projection of 350 mm forwards from the fire opening.

1.10 SPILLAGE MONITORING SYSTEM

This appliance is fitted with an atmosphere sensing spillage monitoring system in the form of an oxygen sensing pilot. This is designed to shut the fire off in the event of partial or complete blockage of the flue causing a build up of combustion products in the room in which the fire is operating. **The following are important warnings relating to the spillage monitoring system:**

The spillage monitoring system must not be adjusted by the Installer. The spillage monitoring system must not be put out of action. When the spillage monitoring system is exchanged, only a complete original Manufacturers part may be fitted. It is not possible to replace individual parts on the pilot system on the appliance, only a complete pilot assembly (including thermocouple) may be fitted.

2.1 PACKING CHECK LIST

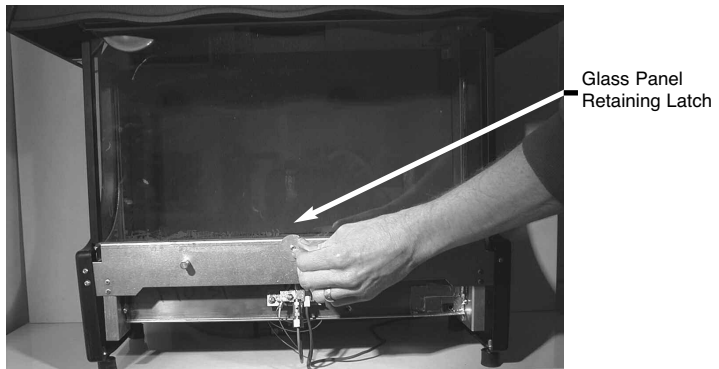
- 1 off Cast Canopy
- 1 off Firebox / Burner Assembly
- 1 off Flue Spigot
- 1 off Closure Plate
- 1 off Literature / Loose Items Pack
- 1 off Fuelbed
- 1 off Coal Pack
- 1 off Cast Fender

2.2 INSTALLATION OF FIRE

2.2.1 Preparation.

- a) Remove the glass panel by rotating the latch to release. Lift the glass panel upwards and lift away. See Fig. 2.

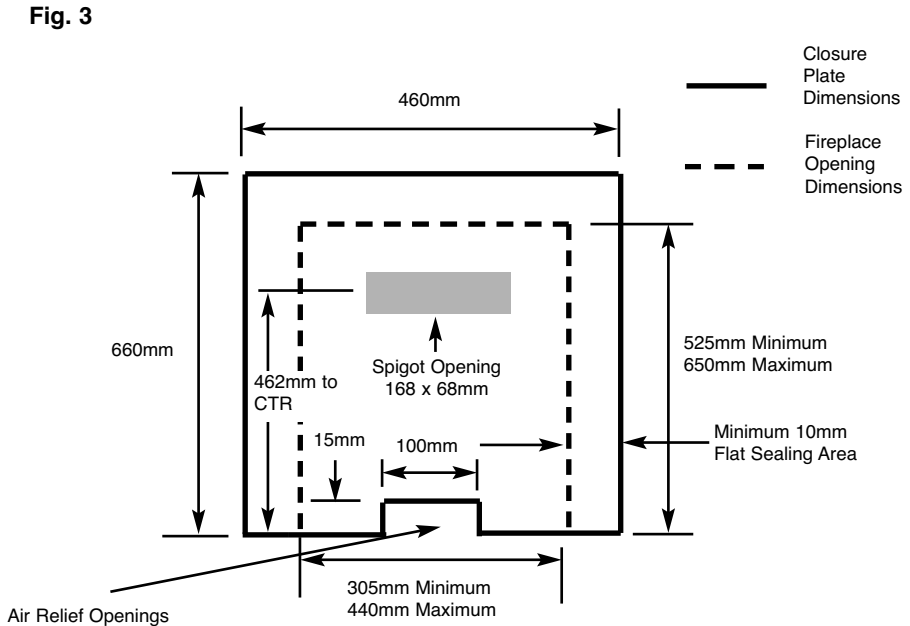
Fig. 2 Remove the Glass Panel



- b) Grasp sides of the of the glass panel and pull lower edge forward.
- c) Remove the coal / fuelbed packs that have been retained by the glass panel (not shown in Fig. 2 above)
- d) To re-fit the glass panel, engage the 2 side glasses in the sealing channels, with the projecting glass edge uppermost. Slide the panel up until the top edge enters the slot, then push the lower edge in and turn the latch to secure it.

Closure plate

- a) Fit the closure plate to the fireplace opening and ensure that it has a flat sealing area of at least 10mm sealed on all sides. See Fig. 3 below
Dimensions stated are for closure plate supplied
Check the operation of the chimney as follows:-

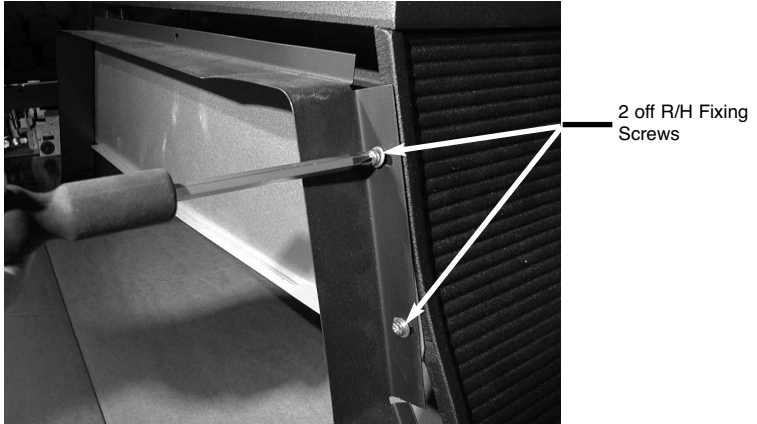


Apply a smoke match to the flue spigot opening in the closure plate and observe the smoke. If there is a definite flow into the opening then proceed with the installation. If there is not a definite flow into the opening, pre-heat the chimney for about two minutes and retest for flow. If there still is no definite flow into the opening, the chimney may require attention. **DO NOT FIT THE FIRE-SEEK EXPERT ADVICE.**

2.3 FITTING THE CANOPY REAR TRIM

- a) Secure the canopy rear trim to the canopy via the four fixings screws (2 off L/H & 2 off R/H) as shown below in Fig. 4

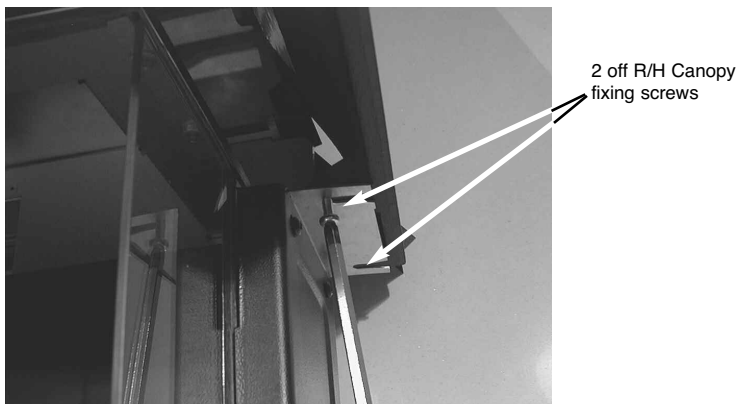
Fig. 4



2.4 FITTING THE CANOPY TO THE FIREBOX

- a) Secure the canopy to the firebox with the four screws (2 off L/H & 2 off R/H) as shown below in Fig. 5

Fig. 5



2.5 FITTING THE SPIGOT TO THE FIREBOX

- a) Screw the firebox spigot to the draught diverter with the four screws, 2 off upper (as shown below in Fig. 6) & 2 off lower screws (not pictured) .

Fig. 6



4 off Flue Spigot
Fixing screws

Note : A means of isolation must be provided near to the appliance to facilitate servicing.

Ensure that the gas supply is turned off before commencing.

The gas connection should be made to the appliance inlet elbow using 8 mm rigid tubing. The gas connection can be made left hand, right hand or rear. In line with current installation regulations, a restrictor should be fitted to the inlet pipework to isolate the appliance for servicing and repair purposes.

Before making the final gas connection, thoroughly purge the gas supply pipe work to remove all foreign matter, otherwise serious damage may be caused to the gas control valve on the fire.

2.6 GAS TIGHTNESS

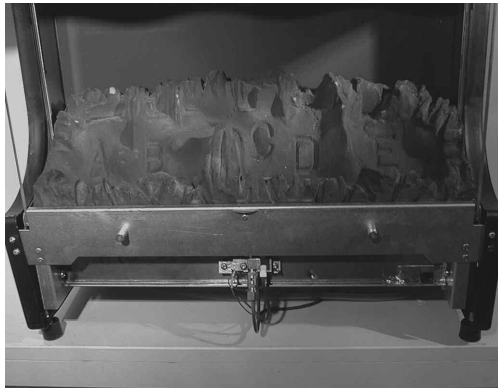
- a) Remove the pressure test point screw from the inlet elbow and fit a manometer.
- b) Turn on the main gas supply and light the fire as described in section 3.2 and carry out a gas tightness test.
- c) Check that the gas pressure is 20.0 mbar (± 1.0 mbar), 8.0 in w.g. ± 0.4 in w.g. for Natural Gas models or 37.0 mbar (± 1.0 mbar), 14.8 in w.g. ± 0.4 in w.g. for Propane gas models.
- d) Turn off the fire, remove the manometer and refit the pressure test point screw. Check the pressure test point screw for gas tightness with the appliance turned on using a suitable leak detection fluid or detector.

3.1 ASSEMBLY OF THE FUELBED

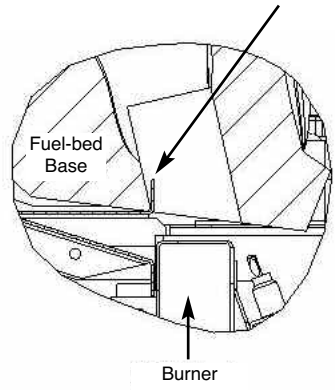
NOTE : The position of the fuel-bed components are critical to the performance of the product. Therefore please ensure that the fuel-bed components are positioned as described in the following section prior to requesting a service call due to soot build up, poor flame pattern etc.

- a) Fit the fuelbed base into the combustion chamber as shown below in Fig. 7. Ensure that the slot in the fuel-bed is located onto the lip on the fuel-bed base support.

Fig. 7

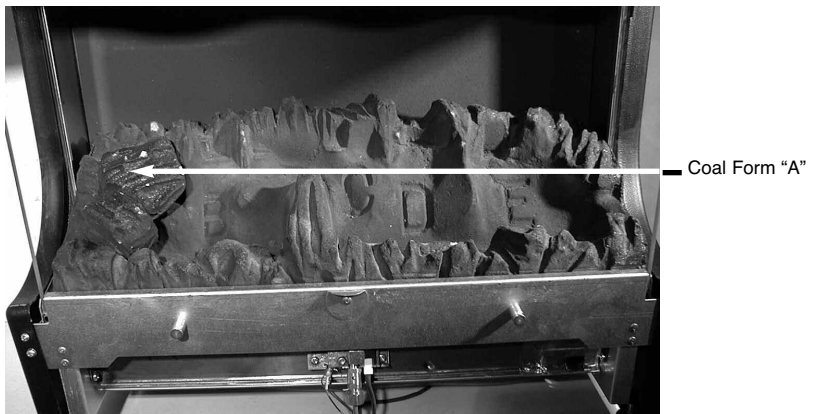


Section View of Fuel-bed Base / Burner Locating Lip on Fuel-bed Support



- b) Fit coal "A" onto the fuelbed base in the position as shown below in Fig. 8. The coal form has the individual placement letters stamped on the bottom face.

Fig. 8



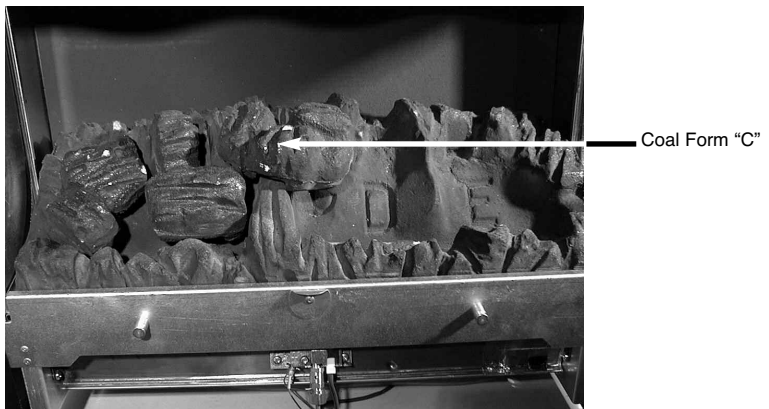
- c) Fit coal "B" onto the fuelbed base in the position as shown below in Fig. 9. The coal form has the individual placement letters stamped on the bottom face.

Fig. 9



- d) Fit coal "C" onto the fuelbed base in the position as shown below in Fig. 10. The coal form has the individual placement letters stamped on the bottom face.

Fig. 10



- e) Fit coal "D" onto the fuelbed base in the position as shown overpage in Fig. 11. The coal form has the individual placement letters stamped on the bottom face.

Fig. 11



- f) Fit coal “E” onto the fuelbed base in the position as shown below in Fig. 12. The coal from has the individual placement letters stamped on the bottom face.

Fig. 12



To ensure that the release of fibres from these R.C.F (Refractory Ceramic Fibre) articles is kept to a minimum, during installation and servicing we recommend that you use a HEPA filtered vacuum to remove any dust accumulated in and around the appliance before and after working on the appliance. When replacing these articles we recommend that the replaced items are not broken up, but are sealed within heavy duty polythene bags, clearly labelled as “RCF waste”. RCF waste is classed as a “stable”, non reactive hazardous waste and may be disposed of at a landfill licensed to accept such waste. Protective clothing is not required when handling these articles, but we recommend you follow the normal hygiene rules of not smoking, eating or drinking in the work area, and always wash your hands before eating or drinking.

Refit the Front Casting, which locates onto the the two fixing screws.

Note: It is important that the decorative Front Casting is fitted before attempting to use the fire.

3.2 Lighting the Appliance

- a) Light the pilot by depressing the control knob at the “off” position and turn anti-clockwise (with the control depressed) to the second position marked *.
- b) When the pilot lights, (pilot can be seen through the right hand side window, between the fuelbed base and coals) hold the control knob down for 10 seconds.
- c) If the pilot fails to light, repeat the ignition sequence and hold in the control knob for slightly longer.
- d) When the pilot has lit, release the control knob from the depress position, depress slightly again and turn the control anti-clockwise to the high position and check for clearance of combustion products as detailed below.

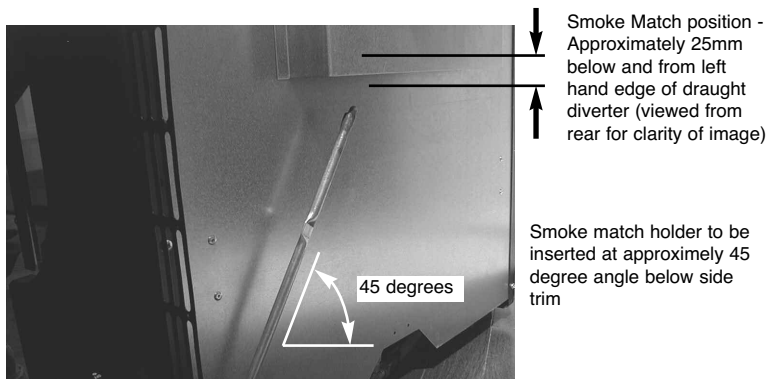
IMPORTANT: THE FIRE MUST ONLY BE OPERATED WITH THE FRONT CASTING IN PLACE

3.3 Checking for Clearance of Combustion Products

- a) Close all doors and windows in the room.
- b) Light the fire and turn to the maximum position.
After 5 minutes hold the smoke match as shown in Fig. 13 overpage. Whilst holding the smoke match in the correct position, approximately 25mm below the lower edge of the draught diverter. Ensure that most of the smoke is drawn into the flue aperture. If in doubt repeat the exercise after a further 5/10 minutes.

Note:- It is recommended that the smoke match is fitted into an approved smoke match holder, when checking for clearance of combustion products.

Fig. 13



If there is an extractor fan fitted in a joining room, then the spillage test must be repeated with the fan switched on and running at maximum speed. All interconnecting doors must be opened in accordance with the latest issue of BS 5440.

IF SPILLAGE IS DETECTED

The cause must be discovered and the fault corrected. If the fault cannot be corrected disconnect the appliance from the gas supply and seek expert advice. Possible causes of spillage from the appliance are:- chimney restriction, down draught or insufficient air supply to the room.

- e) After ensuring that the fire is safe to use it should be left on “High” position to fully warm up. During this time a slight odour may be noticed, this is due to the “newness” of the fire and will soon disappear.

3.4 Final Check

- a) Recheck the operation of the fire on all settings.
- b) Make sure that the User knows how to operate the fire and refer them to the User Book.
- c) Inform the User that the Model Number for ordering parts is shown on the Rating plate. This is located on the back plate of the fire and can be viewed by looking underneath the burner assembly. Inform the User the fire should be serviced annually for continued safe operation.
- d) Hand this instruction booklet to the customer.

MAINTENANCE INSTRUCTIONS

Servicing Notes

Servicing should be carried out annually by a competent person such as a Corgi registered engineer.

The service should include visually checking the chimney and fire opening for accumulations of debris and a smoke test to check for positive up-draught in the chimney.

The condition of the fuelbed ceramics & coals should be checked and if necessary the whole set should be replaced with a genuine replacement set. After any servicing work a gas tightness check must always be carried out.

4.1 GENERAL ACCESS FOR SERVICING

4.1.1 TO REMOVE THE UPPER CANOPY / GLASS PANEL

- a) Prepare work area (lay down dustsheets etc.), Disconnect the appliance from the gas supply.
- b) Remove the four canopy rear fixing screws, as described on page 11 (fig. 5)
- c) Remove the glass front panel as described on page 9, (fig. 2)
- d) Re-assemble in the reverse order.

4.2 REMOVING THE BURNER ASSEMBLY FROM THE FIRE

- a) Prepare work area (lay down dustsheets etc.), Disconnect the appliance from the gas supply.
- b) Remove the four canopy rear fixing screws, as described on page 11 (fig. 5)
- c) Remove the glass front panel as described on page 9, (fig. 2)
- d) Remove the pilot retaining screws as shown below in fig. 14

Fig. 14

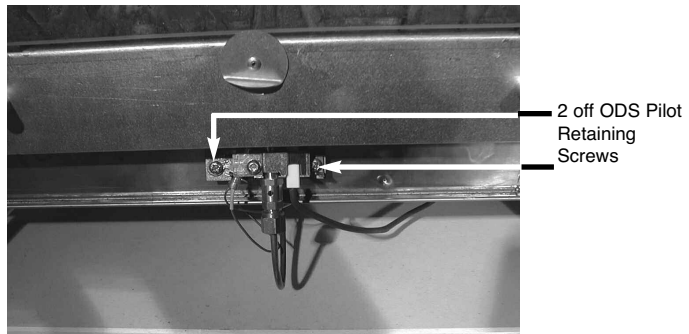
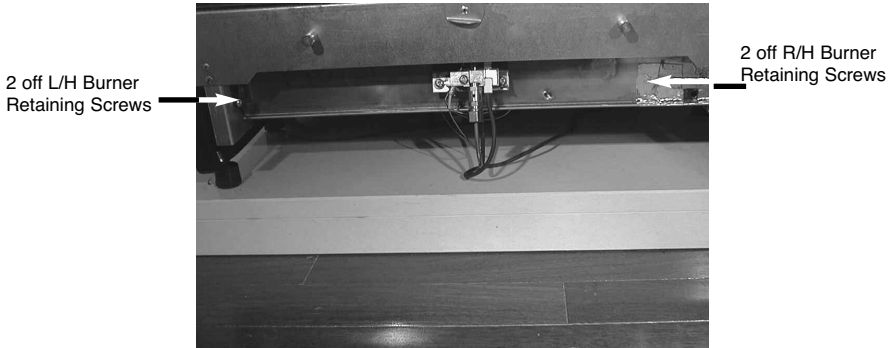


Fig. 15

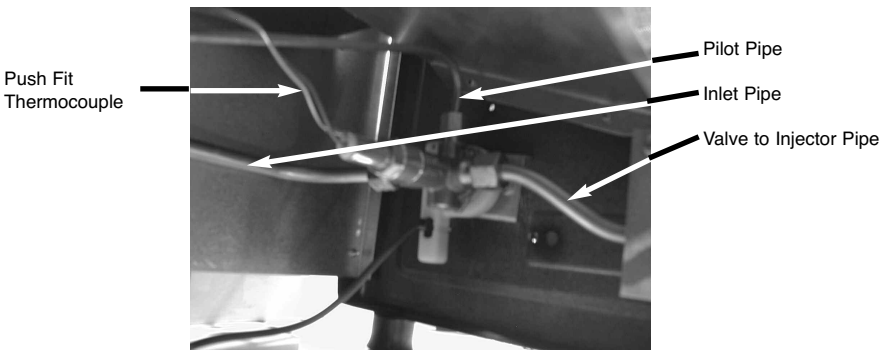


- e) Remove the four burner retaining screws as indicated in Fig. 15 above
- f) Slide the burner assembly to the right, off the injector and remove the from the firebox.

4.3 REMOVING THE CONTROL TAP FROM THE FIRE

- a) Disconnect the appliance from the gas supply.
- b) Remove the burner assembly as shown in section 4.2.
- c) Disconnect the pilot pipe, inlet pipe, valve to injector pipe and push fit thermocouple as shown below in Fig. 16

Fig. 16



- d) Remove the valve retaining screws as shown below in Fig. 17

Fig. 17



- e) Remove the thermocouple, which is a push fit into the rear of the control valve.

4.4 REMOVING THE ODS- PILOT ASSEMBLY

Note : Because this appliance is fitted with an atmosphere sensing ODS-pilot it is not possible to replace the thermocouple separately, because the thermocouple position is factory set to a tight tolerance. Any replacement of parts on the pilot requires a complete new pilot assembly.

- a) Remove the pilot retaining screws as described in section 4.2 d) & fig. 14
- b) Disconnect the pipe pipe and push fit ignition lead
- c) Replacement new ODS in reverse order, and carry out a gas tightness test.

Note : Prior to replacing the oxy-pilot on this product due to suspected failure of the component, please remove all debris that has collected on the lint guard of the oxy-pilot itself.

PARTS SHORTLIST

Replacement of any parts must be carried out by a competent person such as a CORGI registered gas installer. The part numbers of the replaceable parts are as follows, these are available from specialist spares stockists whose details can be found on our web site, www.bfm-europe.com, in the 'stockist' section.

Coal set	FC-P085332	ODS Pilot (NG)	B-48360
Fuelbed	B-123570	ODS Pilot (LPG)	B-66920
Gas valve (NG)	B-63250	Gas Valve (LPG)	B-66930
Rear Fibre board	B-65320	Glass Assy (Front)	SFA-085165



EMBERGLOW CLASSIC

RADIANT CONVECTOR GAS FIRE

User Instructions

This section of the instructions should be read by the user before operating the appliance and retained for future reference

Model No. FEMC00MN is for use on Natural Gas (G20) at a supply pressure of 20 mbar in G.B. / I.E.

Model No. FEMC00MP is for use on Propane Gas (G31) at a supply pressure of 37 mbar in G.B. / I.E.

INSTALLATION INFORMATION

CONDITIONS OF INSTALLATION

It is the law that all gas appliances are installed only by a competent (e.g. CORGI Registered) Installer, in G.B. in accordance with the installation instructions and the Gas Safety (Installation and Use) Regulations 1998. Failure to install appliances correctly could lead to prosecution. It is in your own interest and that of safety to comply with the law.

The fire may be fitted below a combustible shelf provided that the shelf is at least 200mm above the top of the appliance and the depth of the shelf does not exceed 150mm.

The fire may be installed below combustible shelves which exceed 150mm deep providing that the clearance above the fire is increased by 15mm for each 25mm of additional overhang in excess of 150mm.

No purpose made additional ventilation is normally required for this appliance when installed in G.B. When installed I.E. please consult document I.S. 813 : 1996 Domestic Gas Installation which is issued by the National Standards Authority of Ireland. Any purpose made ventilation should be checked periodically to ensure that it is free from obstruction.

If the chimney or flue has been previously used by appliances burning fuels other than gas they must be swept prior to the installation of this fire.

If this appliance is fitted directly on to a wall without the use of a fireplace or surround, soft wall coverings such as wallpaper, blown vinyl etc. could be affected by the heat and hot air and may discolour or scorch. This should be considered when installing or decorating.

THIS APPLIANCE MUST NOT BE USED IF THE GLASS PANELS ARE BROKEN OR NOT IN PLACE.

The Model number of this appliance is as stated on the rating plate affixed to the inner rear panel of the fire and the appliance is manufactured by:-

BFM Europe Ltd
Trentham Lakes
Stoke on Trent
ST4 4TJ

ABOUT YOUR NEW FLAVEL EMBERGLOW GAS FIRE

The Flavel Emberglow gas fire incorporates a unique and highly developed heat exchanger which combined with the coal effect gives maximum heat whilst maintaining reasonable running costs

Please take the time to fully read these instructions as you will then be able to obtain the most effective and safe operation of your fire.

IMPORTANT SAFETY INFORMATION

WARNING

This appliance has a naked flame and as with all heating appliances a fireguard should be used for the protection of children, the elderly and infirm. Fireguards that conform to B.S. 8423 : 2002 should be fitted. (Fireguards for use with gas heating appliances).

It is important that this appliance is serviced at least once a year by a CORGI registered gas installer and that during the service the fire is removed from the fire opening and the chimney or flue visually checked for fallen debris or blockages which must be removed. The chimney should also be checked to ensure clearance of flue products. We recommend that during the annual service, replacement of the Oxypilot is carried out. **After installation or during servicing a spillage test must always be carried out.**

Only the correct type of coals & fuelbed must be used and only complete and genuine replacement sets can be sourced from BFM Europe Ltd.

Always keep furniture and combustible materials well clear of the fire and never dry clothing or items either on or near to the fire. Never use aerosols or flammable cleaning products near to the fire when it is in use.

The ceramic coal effect fuel-bed remains hot for a considerable period after use and sufficient time should be allowed for the fire to cool before cleaning etc. The fire must only be operated with the glass panel in place.

IMPORTANT :
THE FIRE MUST ONLY BE OPERATED
WITH THE DECORATIVE FENDER
FRONT IN PLACE

OPERATING THE FIRE

- a) Light the pilot by depressing the control knob at the “off” position and turn anti-clockwise (with the control depressed) to the second position marked *.
- b) When the pilot lights, (pilot can be seen between the coals and fuelbed base through the side window) hold the control knob down for 10 seconds.
- c) If the pilot fails to light, repeat the ignition sequence and hold in the control knob for slightly longer.
- d) When the pilot has lit, release the control knob from the depress position, depress slightly again and turn the control anti-clockwise to the HIGH position.
- e) It is recommended that the fire is left in the HIGH position to warm up for approximately 10 minutes before turning to the required heat setting.

WARNING

If the fire goes out for any reason or is turned off and it is necessary to relight the fire it is important to allow the fire to cool for 3 minutes before attempting to re-light it.

SPILLAGE MONITORING SYSTEM

This appliance is fitted with a spillage monitoring system which shuts down the fire if the evacuation of combustion products from the fire is affected by a partially or fully blocked flue.

If this system operates the fire will go out. If this occurs, leave the fire for at least three minutes then follow the lighting procedure as described in the previous section. **In the event of repeated operation a CORGI registered gas installer must be called to investigate and rectify the cause.**

CLEANING - WARNING

Before attempting any cleaning operation ensure that the fire has been allowed to fully cool.

CLEANING THE FUELBED / COALS

We do not recommend regular cleaning of the fuelbed ceramics as these are fragile and damage may result. **None of these parts must be washed or exposed to any cleaning agents or water.**

Any damaged parts must be replaced by contacting your dealer or telephoning BFM Europe Ltd. on the number stated on the rear cover of this book. The fuelbed ceramics must only be replaced with a complete and genuine replacement set and the fire must never be run with the wrong number or damaged coals. The fuelbed ceramics must be carefully re-assembled as stated in pages 6 - 8 of this book.

LIGHTING WITH A SPILL

Important do not light with a wax taper

In the unlikely event of the piezo ignition unit failing to light the fire, turn the control knob to the OFF position, and wait a minute or so for the gas to disperse. The fire can then be lit by using a spill.

- a) Remove the front casting by lifting upwards. Apply a lighted spill at the pilot tip. Light the pilot by depressing the control knob at the “off” position and turn anti-clockwise (with the control depressed) to the second position marked *.
- b) When the pilot lights, remove the spill and continue to hold the control knob down for 10 seconds.
- c) If the pilot fails to light, repeat the ignition sequence and hold in the control knob for slightly longer.
- d) When the pilot has lit, refit the front casting, release the control knob from the depressed position, depress slightly again and turn the control anti-clockwise to the high position.

WARNING: The front casting MUST be fitted prior to turning the control knob from the pilot position.

WARNING : Before attempting any cleaning operation ensure that the fire has been allowed to fully cool.

CLEANING THE CASE.

Dusting is normally all that is required. But where extra cleaning is necessary, use a damp cloth.

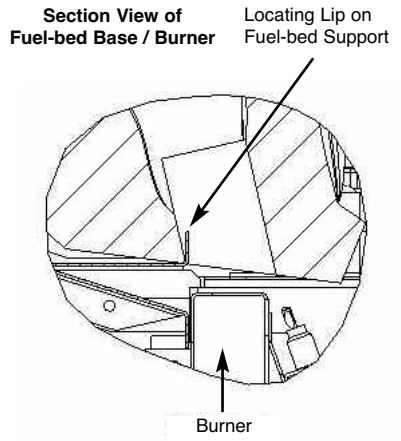
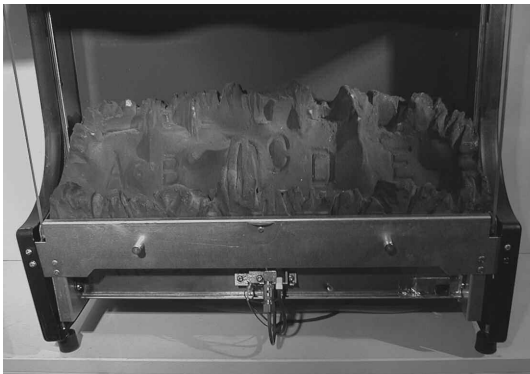
Note : Prior to replacing the oxypilot on this product due to suspected failure of the component, please remove all debris that has collected on the lint guard of the oxypilot itself.

3.1 ASSEMBLY OF THE FUELBED

NOTE : The position of the fuel-bed components are critical to the performance of the product. Therefore please ensure that the fuel-bed components are positioned as described in the following section prior to requesting a service call due to soot build up, poor flame pattern etc.

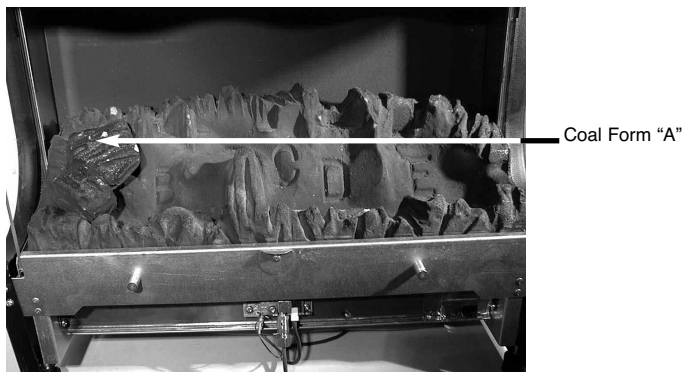
- a) Fit the fuelbed base into the combustion chamber as shown below in Fig. 1. Ensure that the slot in the fuel-bed is located onto the lip on the fuel-bed base support.

Fig. 1



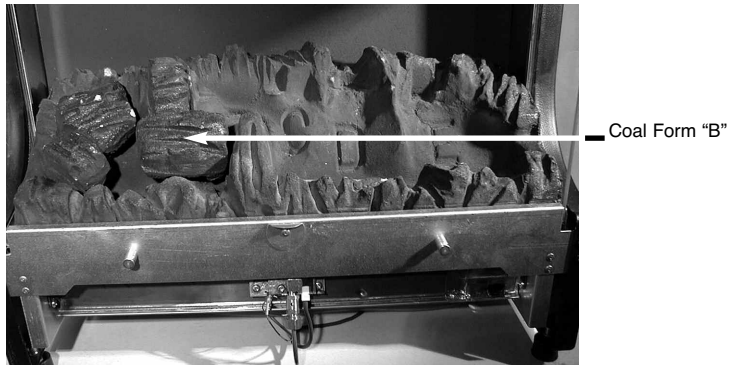
- b) Fit coal "A" onto the fuelbed base in the position as shown below in Fig. 2. The coal form has the individual placement letters stamped on the bottom face.

Fig. 2



- c) Fit coal "B" onto the fuelbed base in the position as shown below in Fig. 3. The coal form has the individual placement letters stamped on the bottom face.

Fig. 3



- d) Fit coal "C" onto the fuelbed base in the position as shown below in Fig. 4. The coal form has the individual placement letters stamped on the bottom face.

Fig. 4



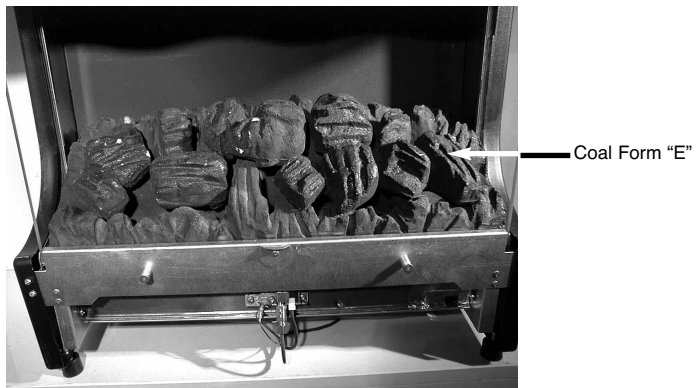
- e) Fit coal "D" onto the fuelbed base in the position as shown below in Fig. 5. The coal form has the individual placement letters stamped on the bottom face.

Fig. 5



- f) Fit coal "E" onto the fuelbed base in the position as shown below in Fig. 6. The coal form has the individual placement letters stamped on the bottom face.

Fig. 6



Ensure the both the glass panel and decorative fender front are refitted before attempting to light the fire.

To ensure that the release of fibres from these R.C.F (Refractory Ceramic Fibre) articles is kept to a minimum, during installation and servicing we recommend that you use a HEPA filtered vacuum to remove any dust accumulated in and around the appliance before and after working on the appliance. When replacing these articles we recommend that the replaced items are not broken up, but are sealed within heavy duty polythene bags, clearly labelled as "RCF waste". RCF waste is classed as a "stable", non reactive hazardous waste and may be disposed of at a landfill licensed to accept such waste Protective clothing is not required when handling these articles, but we recommend you follow the normal hygiene rules of not smoking, eating or drinking in the work area, and always wash your hands before eating or drinking.

Due to our policy of continual improvement and development the exact accuracy of descriptions and illustrations cannot be guaranteed.

Part no. B-65360
Issue 10



BFM Europe Ltd
Trentham Lakes
Stoke-on-Trent
Staffordshire
ST4 4TJ

Telephone - General Enquiries : (01782) 339000
Telephone - Service : (0844) 7700169